

TENDA<sup>®</sup> LIGHTING



TENDA 2021-2022 COLLECTION



# ARCHITECTURAL LIGHTING

TENDA LIGHTING  
TEL+86 760 22533562  
WWW.TENDALIGHTING.COM



**TENDA**  
LIGHTING  
**ANNIVERSARY**  
2013-2021

# WELCOME TO THE WORLD OF LIGHT

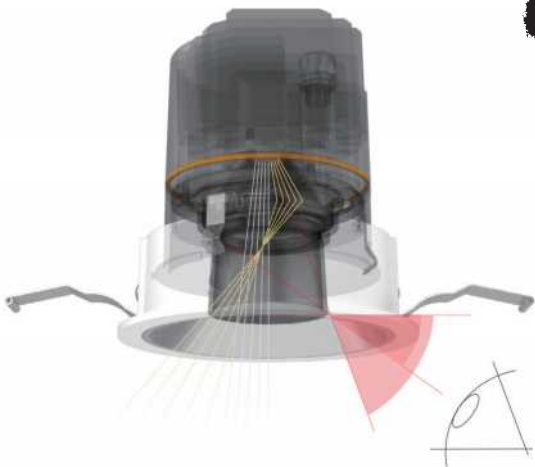


Each room requires its own lighting concept that is right for the users, the architecture and the interior. At TENDA, we keep innovating LED lighting solution for lighting designers, architecture designers, project wholesales, and offer long-standing experience in OEM/ODM general and accent lighting, direct and in-direct lighting, bright and dark effect, minimalist and decorative style. In this catalogue, we have shown the main products for modern office, retail, museum, and hotel.

# WE ARE TENDA LIGHT



Thanks to the LED Ilaccurate lens, the Prolight wall washing is extremely uniform.



The sleeve design for Prolight offers excellent glare reduced.



IP 65

The Prolight is IP65 tested.



**WE MAKE  
LIGHT**

**THAT MAKES YOU FEEL  
LIGHT  
THAT MAKES YOU LIKE  
LIGHT  
THAT DELIGHTED YOUR  
LIFE**

TENDA aim is to offer always the best reliable technology available, constantly reviewing our products and upgrading them as soon as technologic evolutions offers benefits for our partners and clients.



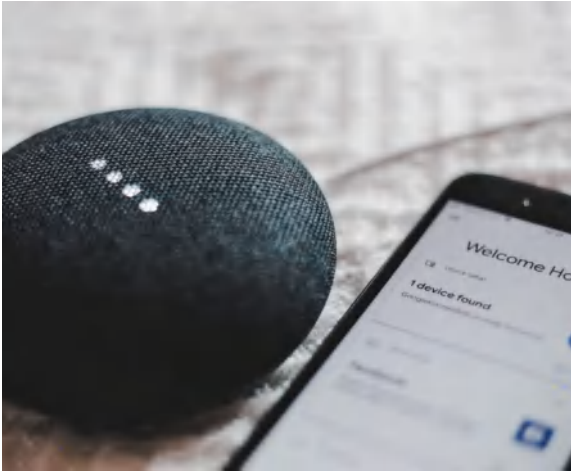
Hey, Siri

Please help me turn on the light



supports the following scenario.





When we work with lighting designers, they always request our lights to work perfectly with lighting control system. So far TENDA products have been tested the compatibility to systems of LUTRON, CASAMBI, GOOGLE HOME, APPLE HOMEKIT, AMAZON ALEXA, TUYA.

# INTELLIGENT LIGHTING



TENDA offers various dimming options to our clients: phase dimming, 0-10V, DALI2, Bluetooth, 2.4G, CCT tunable.



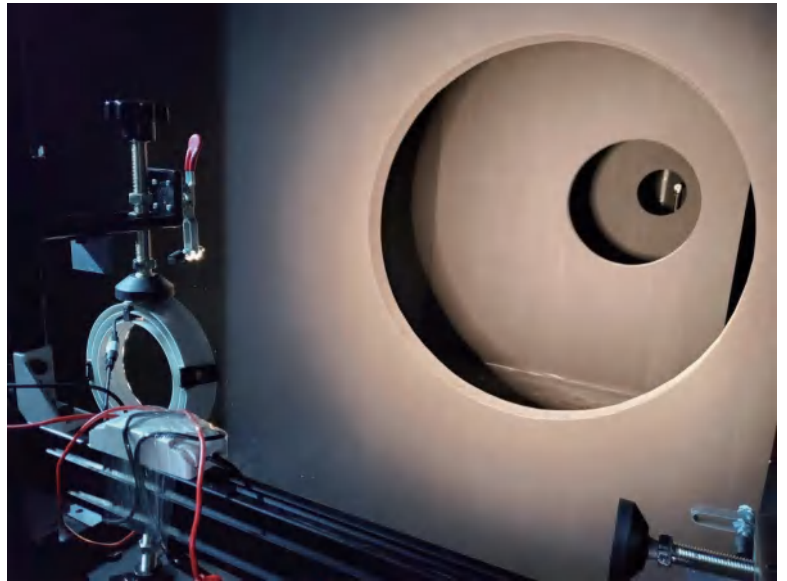
In TENDA, we are not only focus on producing products, but we completely committed ourselves into lighting design, to provide people comfortable lighting environment. We work with lighting designers, to learn what kind of light they need.

TENDA aim is to offer always the best reliable technology available, constantly reviewing our products and upgrading them as soon as technologic evolutions offers benefits for our partners and clients.



TECHNOLOGY  
EMOTION  
NATURE  
DESIGN  
ARCHITECTURE

TECHNOLOGY  
TE  
EMOTION  
NATURE  
ND  
DESIGN  
ARCHITECTURE  
A



# TECHNOLOGY

The T culture in TENDA means quality control by technology. We use original packed LED chips, each batch tested by integrating sphere. All products tested by photometric to check the light distribution, beam angle, intensity, UGR table.

Each delivery from TENDA, we guarantee the 100% burning testing 6~12 hours, and all materials inspection.





The E culture in TENDA means emotion. One of the simplest ways to influence cognition and emotion through the built environment is to manipulate interior lighting. Lighting specifications, such as color temperature and illuminance, have been shown to influence a multitude of human behaviors and emotion.

# EMOTION



TENDA products come with high CRI true color for color temperature from 2200K to 5000K, which create different atmosphere for different spaces, to influence human behaviors. We have tunable white, also RGB and RGB white. Besides, we hope our light is flexible to meet people's emotional requirement. For example our Sharp is high CRI, and light shape changeable, round, square, rectangular and

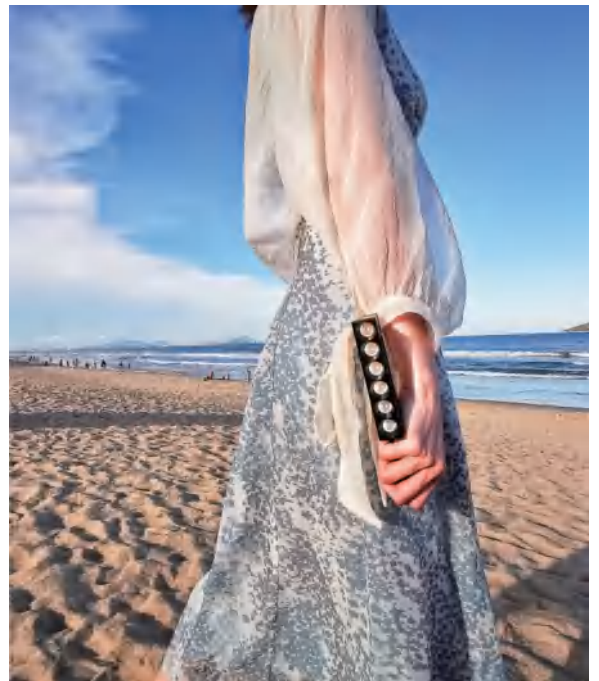




# NATURE

Human love nature always, the N culture in TENDA means nature. The only perfect light is sunlight, TENDA pay attention to bring people the most nearly sunlight.

TM-30-15 seeks to supplant CRI as the industry standard for measuring color rendition. We at TENDA have observed significant interest in TM-30-15 among our customers.



## WHAT IS TM-30-15?

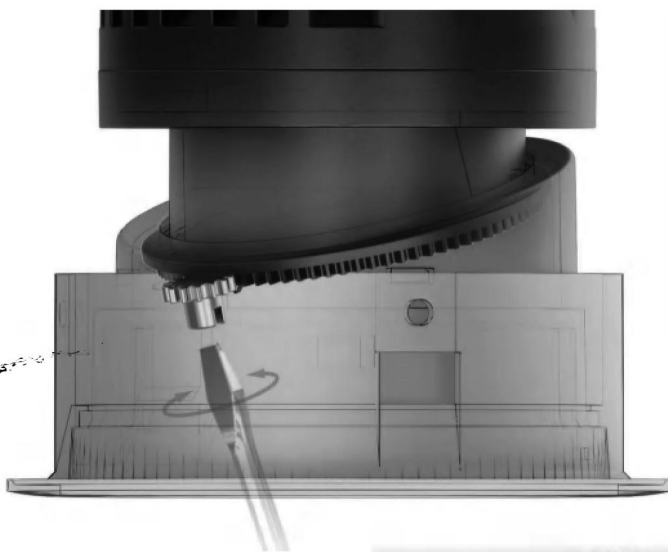
TM-30-15 is a method of evaluating color rendition. It comprises three primary components:

1. Rf-a fidelity index that is similar to the commonly used CRI.
2. Rg-a gamut index that provides information about saturation.
3. Color vector graphic-a graphical representation of hue and saturation relative to a reference source.

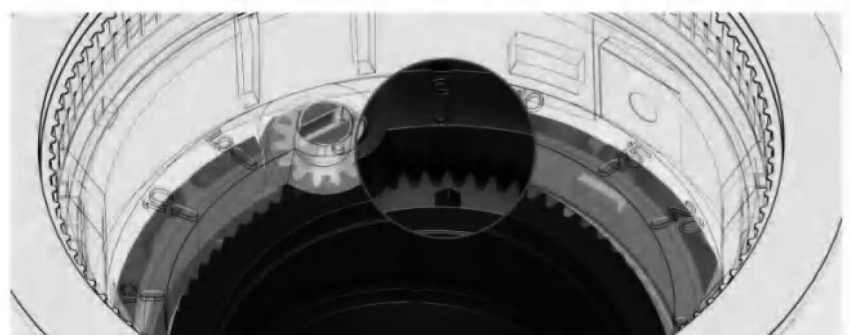
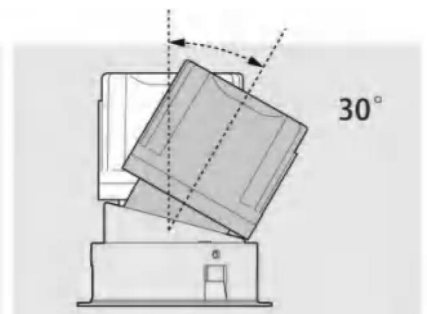
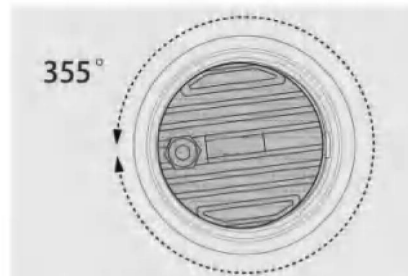


# DESIGN

The D culture in TENDA means design. We pay special attention to the design of luminaires, which should be reasonable, convenience and beauty. Including the design of appearance, structure, optics and electrical.



When designing new products, we are focus on meeting the real requirements, must be unique, top-quality, excellent functionality, the safety and a long service life.

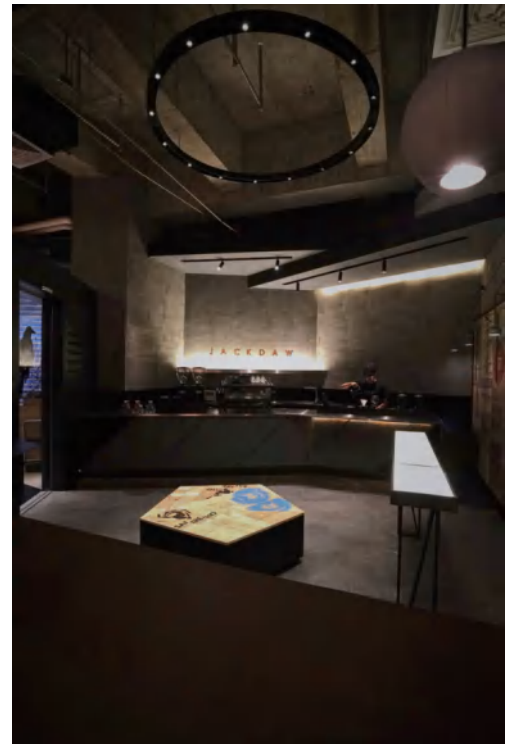


We are developing our design team, to make each design perfect.

We very care about each feedback from our clients, their feedback always make our products upgrading and more reliable.



The A culture in TENDA means to create a successful balance between lighting and architecture. Lighting plays a vital role in the way people experience and understand architecture. Whether buildings and structures are lit naturally or artificially, lighting is the medium that allows us to see and appreciate the beauty in the buildings around us. Our commitment is to quality and our focus on the illumination, not just the fitting



# ARCHITECTURE

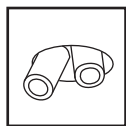


Lighting can bring an emotional value to architecture – it helps create an experience for those who occupy the space. Without lighting, where would architecture be? Would it still have the same impact? No, it wouldn't. Whether it's daylighting or artificial lighting, light draws attention to textures, colors, and forms of a space, helping architecture achieve its true purpose. Vision is the single most important sense through which we enjoy architecture, and lighting enhances the way we perceive architecture even more.



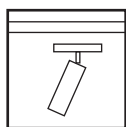
# INDEX

---



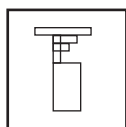
MAGIC - SINGLE AND DOUBLE BULB IN VARIOUS INSTALLATION VERSIONS

1-74



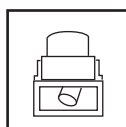
MPOWER - MAGNETIC TRACK SYSTEM 48V LOW VOLTAGE

75-136



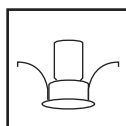
SHARP - IMMERSIVE LIGHTING EXPERIENCE

137-158



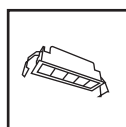
HILIGHT - TRIM AND TRIMLESS IN ONE

159-164



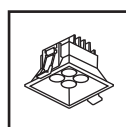
CHOPIN- ADJUSTABLE AND FIXED IN ONE WITHOUT LIGHT LEAKAGE

165-184



RASTER - LINEAR DOWNLIGHT FULL FAMILY

185-234



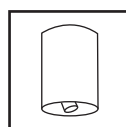
RAINBOW - COLOR MAKES DIFFERENT

235-246



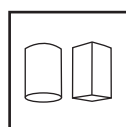
PROLIGHT - MODULAR SPOTLIGHT IN VARIOUS COLORS

247-278



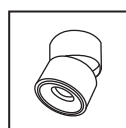
CANVAS - ADJUSTABLE BULB IN SURFACE MOUNTED

279-284



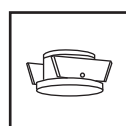
COOLER - ANTI GLARE SURFACE SPOTLIGHT

285-292



ROUND - TILTABLE SURFACE MOUNTED AND TRACK LIGHT

293-296



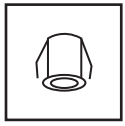
BATH - IP44 FOR BATHROOM

297-300



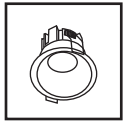
SLIM - SPOTLIGHT ADJUSTABLE

301-304



RING - WALL LIGHT

305-307



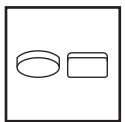
MASTER - NARROW EDGE SPOTLIGHT

308-313



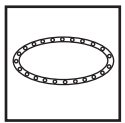
UGR DOWNLIGHT - UGR DIFFUSER LED DOWNLIGHT

314-318



MOON - BIG SIZES PANEL LIGHT

319-338



HIO - TRIMLESS CIRCLE SPOTLIGHT

339-344



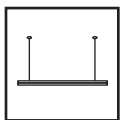
LOOP - BIG SIZES LOOP LIGHT WITH SILICONE DIFFUSE

345-348



LOOP SPOT - BIG SIZES LOOP LIGHT WITH SPOTS

349-352



OFI - OFFICE LIGHTING NO GLARE

352-360



# MAGIC

FAMILY

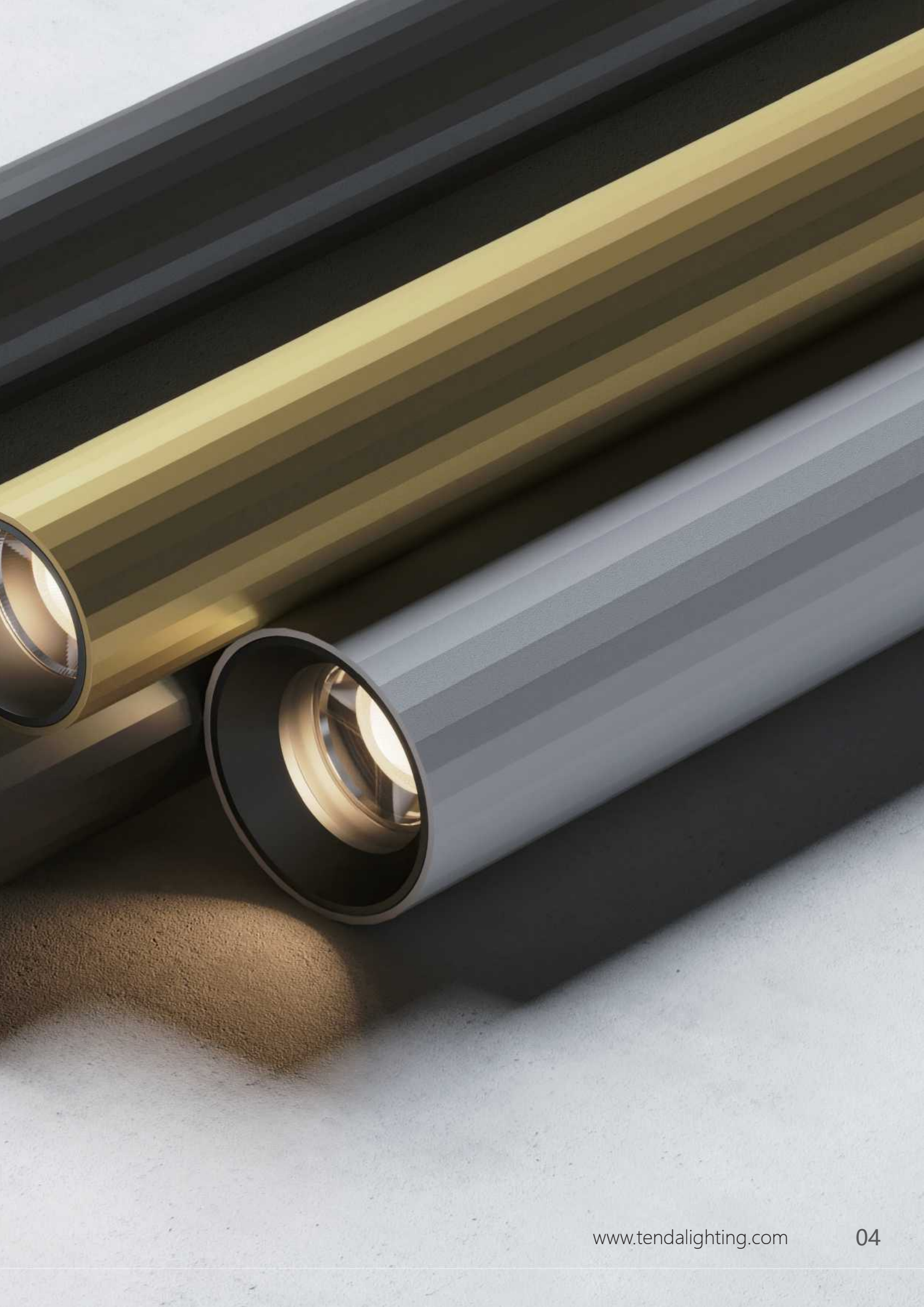




Fun lights, fun life.



Outstanding texture, from the ingenuity of manufacturing.



# INDEXES *of* MAGIC FAMILY



**MAGIC MAGICIAN**  
Ceiling | Suspended

Page-03



**MAGIC RING MASTER**  
Ceiling | Suspended

Page-13



**MAGIC TRAPEZE**  
Ceiling | Suspended

Page-21



**MAGIC DIVA**  
Floor | Table

Page-41



**MAGIC FLEX**  
Ceiling | Surface

Page-49



**MAGIC BOX FLEX**  
Ceiling | Surface

Page-53



**MAGIC PINNACLE**  
Ceiling | Surface

Page-27



**MAGIC AERIAL**  
Ceiling | Surface

Page-31



**MAGIC AERIAL**  
Floor | Table

Page-37



**MAGIC PEEKABOO**  
Ceiling | Recessed

Page-59



**MAGIC SWING**  
Ceiling | Recessed

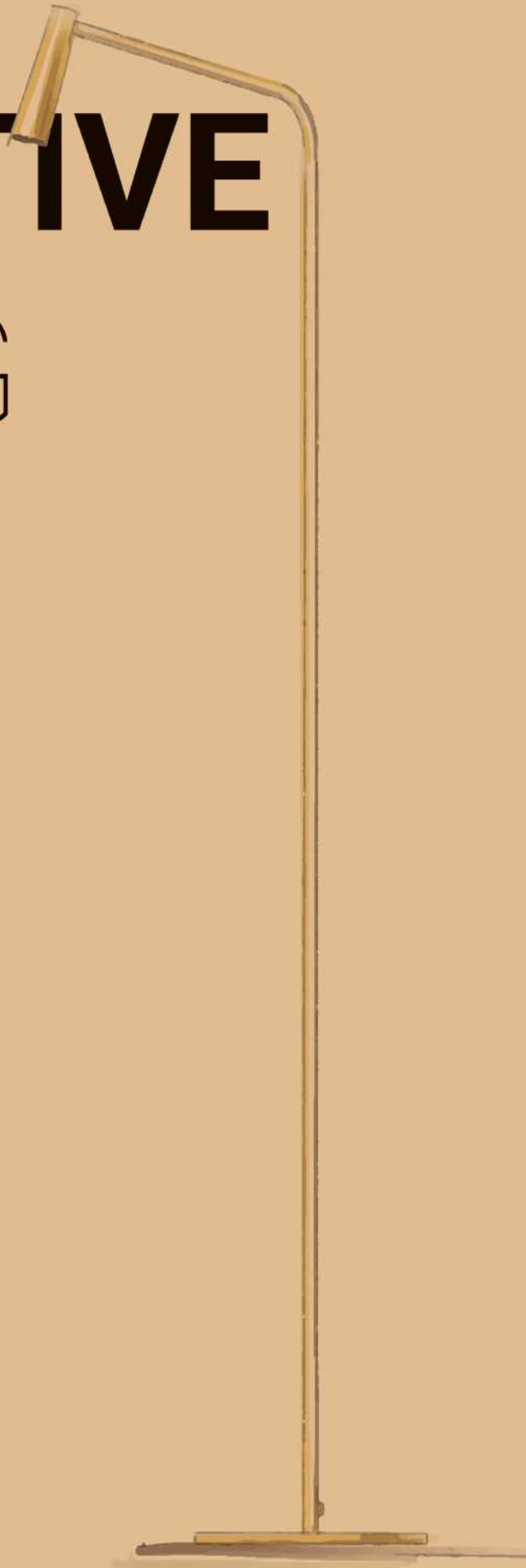
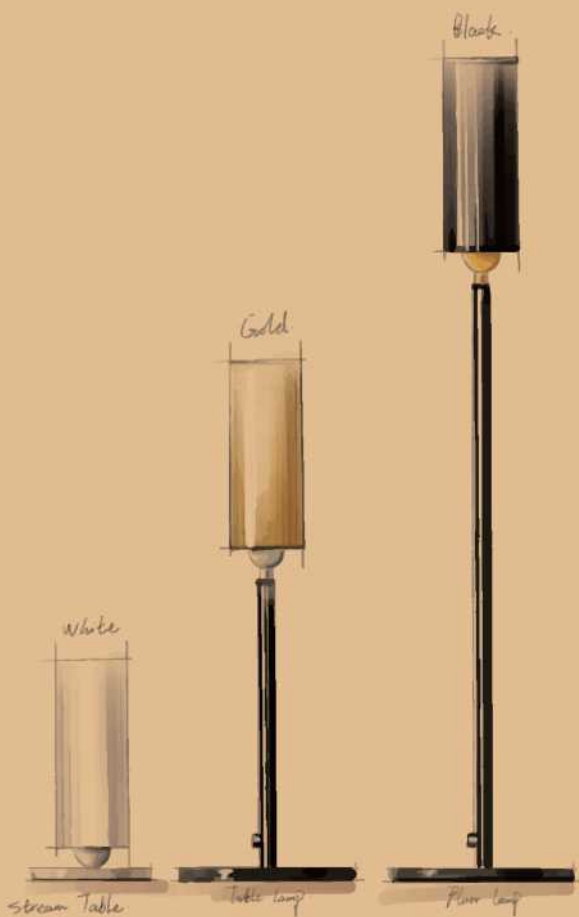
Page-63



**MAGIC PINNACLE2.0**  
Ceiling | Suspended

Page-67

# DECORATIVE LIGHTING









# MAGIC

## MAGICIAN

Magician series is fantastic with seven different shades, sharing same led module. These elegant luminaires can achieve different kinds of combination and change their looks anytime.





# PERSONALIZATION

Multiple options of body finishing in black/white/gold. Do your own color matching, create your own personalized luminaire.





GOLD



WHITE



BLACK

# COLORS

MATCH YOUR STYLE



+



or



# MULTIPLE OPTIONS

L I G H T   E N G I N E

+

D E C O R A T I V E   S H A D E S



+



or




or



or





# PRODUCT APPLICATION

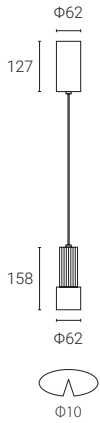
RESTAURANT, RESIDENTIAL AREA, COFFEE SHOP, LIVING ROOM ETC.





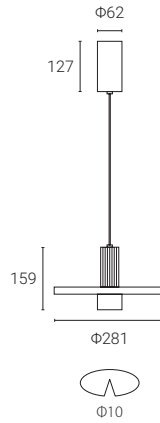
**MGA07-  
SUS158-062**

7W  
15° / 24° / 36°  
CRI 90+  
2700/3000K



**MAG07-  
SUS159-281**

7W  
15° / 24° / 36°  
CRI 90+  
2700/3000K



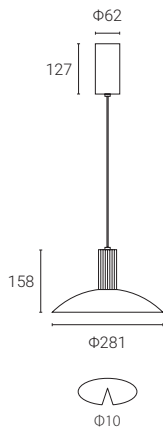
**MAG07-  
SUS283-130**

7W  
15° / 24° / 36°  
CRI 90+  
2700/3000K



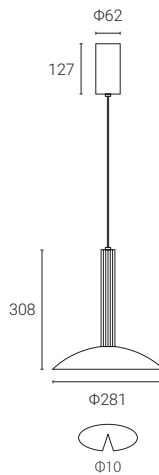
**MAG07-  
SUS158-281**

7W  
15° / 24° / 36°  
CRI 90+  
2700/3000K



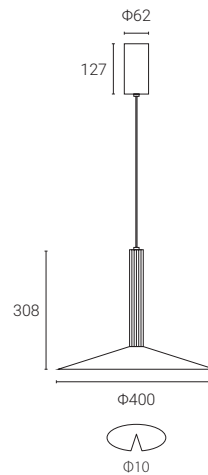
**MAG07-  
SUS308-281**

7W  
15° / 24° / 36°  
CRI 90+  
2700/3000K



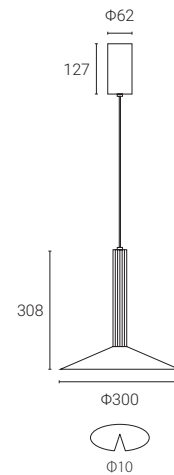
**MAG07-  
SUS308-400**

7W  
15° / 24° / 36°  
CRI 90+  
2700/3000K



**MAG07-  
SUS308-300**

7W  
15° / 24° / 36°  
CRI 90+  
2700/3000K



**OPTIONS**

- 1 No DIM
- 2 2.4GTUNABLE WHITE



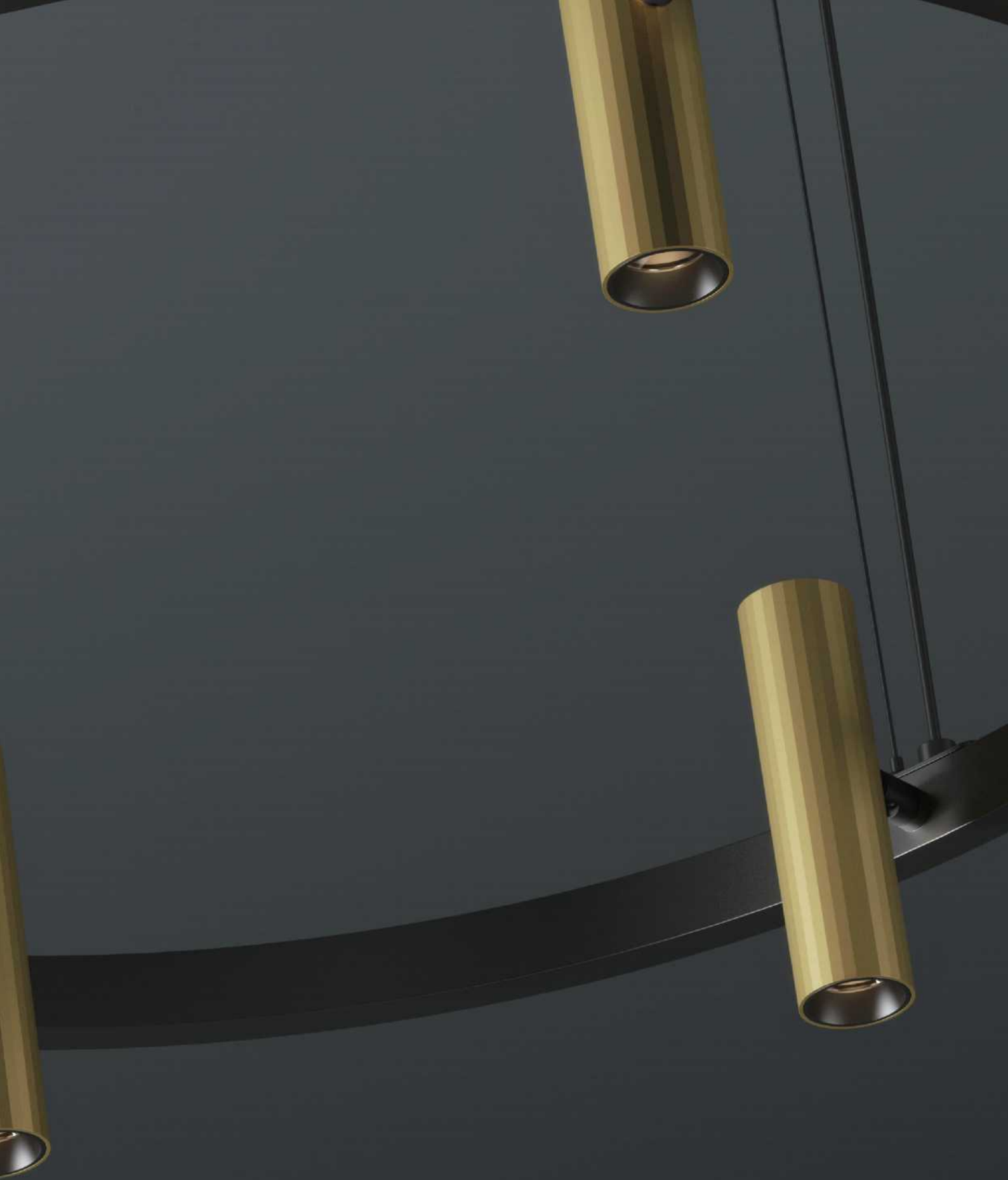


A modern chandelier featuring a black curved ring and six gold cylindrical light heads. The ring is suspended from the ceiling, and the light heads are attached to it, pointing downwards. The background is a dark, solid color.

# MAGIC

## RING MASTER

6 heads chandelier with two functions- spotlight(accent lighting)/ suspension light(general lighting)





# DECOR & FUNCTION

MASTER RING IN SPOTLIGHT VERSION ALLOWS THE DIVERSITY OF PRODUCT APPLICATION. IT'S A PERFECT EMBODIMENT OF THE COMBINATION OF DECORATIVE LIGHTING AND FUNCTIONAL LIGHTING.







# RHYTHM

THE HEIGHT OF THE LAMP CAN BE ADJUSTED FREELY TO  
PRODUCE RHYTHMIC LIGHT AND SHADOW.

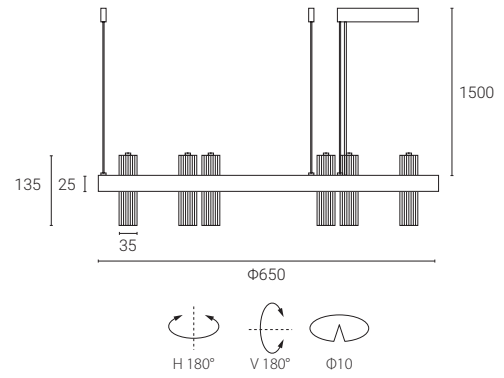
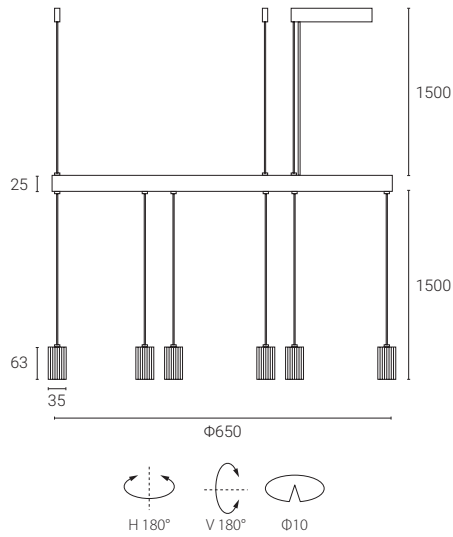


**MAG25-SUS06-650F**

25W  
15° / 24° / 36°  
CRI 90+  
2700/3000K/3500K/4000K/5000K/6000K

**MAG25-SUS06-650A**

25W  
15° / 24° / 36°  
CRI 90+  
2700/3000K/3500K/4000K/5000K/6000K



**OPTIONS**

- 1 No DIM
- 2 2.4GTUNABLE WHITE
- 3 0-10V
- 4 TRIAC







# MAGIC TRAPEZE

Trapeze series can be united on one single light outlet and arranged individually with personal preference. You decide whether to arrange them in a straight line or spider web formation, where the loosely hanging cables create a design element of their own.







**MAG07-TRA01**

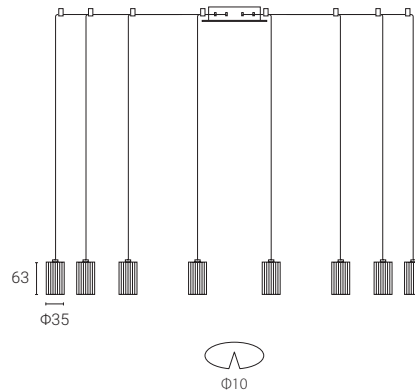
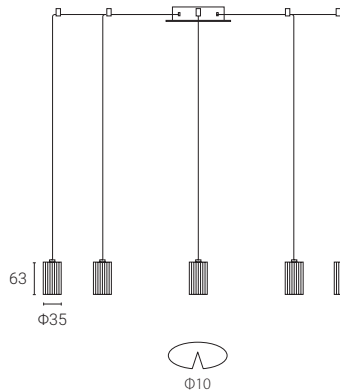
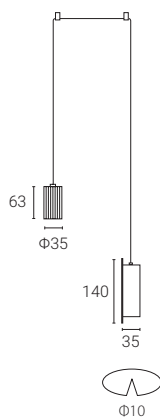
7W  
15° / 24° / 36°  
CRI 90+  
2700/3000K/3500K/4000K/5000K/6000K

**MAG25-TRA08**

25W  
15° / 24° / 36°  
CRI 90+  
2700/3000K/3500K/4000K/5000K/6000K

**MAG35-TRA08**

35W  
15° / 24° / 36°  
CRI 90+  
2700/3000K/3500K/4000K/5000K/6000K



**OPTIONS**

- 1 No DIM
- 2 2.4GTUNABLE WHITE
- 3 TRIAC









# MAGIC PINNACLE

The slender design of the cylinder perfectly shows the noble elegance of Pinnacle series. Delicate product texture makes it more prominent.



**MAG08-SUR35-450**

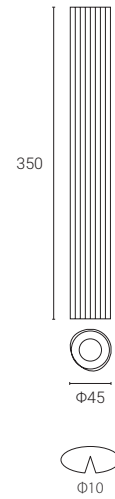
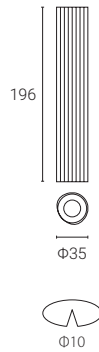
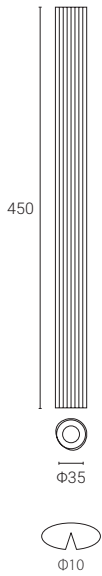
8W  
15° / 24° / 36°  
CRI 90+  
2700/3000/3500/4000/5000/6000K

**MAG08-SUR35-196**

8W  
15° / 24° / 36°  
CRI 90+  
2700/3000/3500/4000/5000/6000K

**MAG12-SUR45-350**

12W  
15° / 24° / 36° or 15~36°  
CRI 90+  
2700/3000/3500/4000/5000/6000K



**OPTIONS**

- 1** No DIM







# MAGIC AERIAL

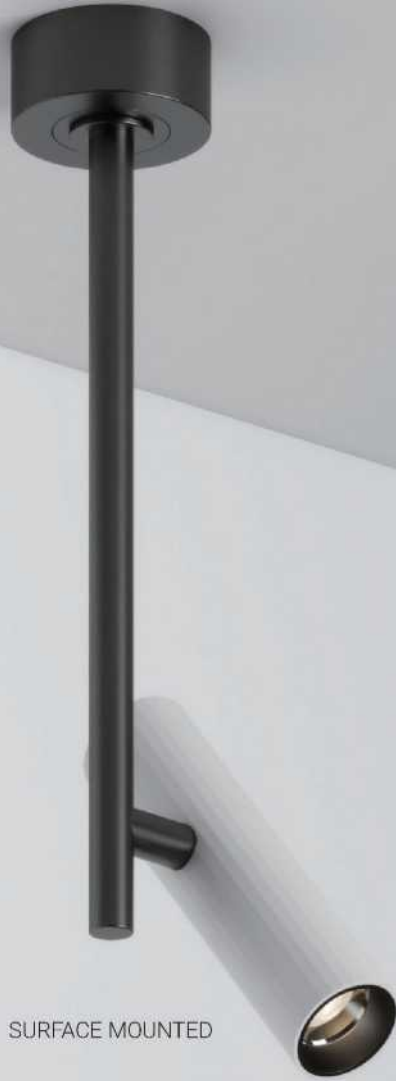
Aerial series in 3 versions: ceiling surface mounting, ceiling track mounting and wall mounting meet all kinds of application requirement.







TRACK



SURFACE MOUNTED



WALL MOUNTED



**MAG108-TR35-S01**

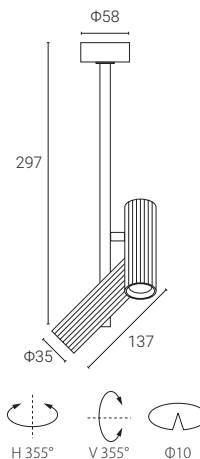
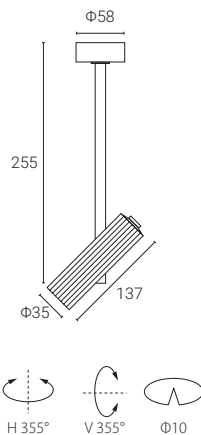
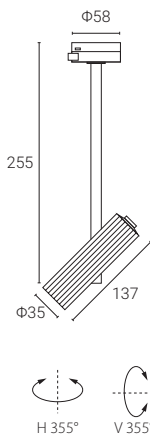
8W  
15° / 24° / 36°  
CRI 90+  
2700/3000K/3500K/4000K/5000K/6000K

**MAG108-SUR35-S01**

8W  
15° / 24° / 36°  
CRI 90+  
2700/3000K/3500K/4000K/5000K/6000K

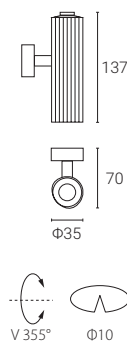
**MAG108-SUR35-D02**

2x8W  
15° / 24° / 36°  
CRI 90+  
2700/3000K/3500K/4000K/5000K/6000K



**MAG08-WALL35**

8W  
15° / 24° / 36°  
CRI 90+  
2700/3000K/3500K/4000K/5000K/6000K



**OPTIONS**

- 1 No DIM







# MAGIC AERIAL

Floor lamp and table lamp in 3 kinds of design. Diva series holds simple and generous design concept. With the classic color collocation in black/white/gold, it perfectly shows the uniqueness of the products.





# READING LIGHT

3 STYLES ARE AVAILABLE, SUITABLE FOR  
DIFFERENT DECORATION STYLES







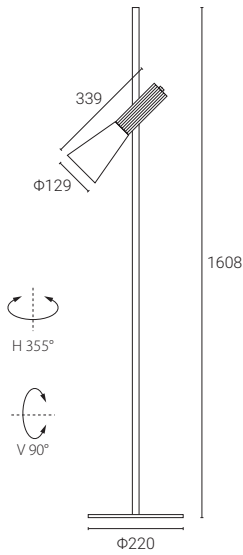






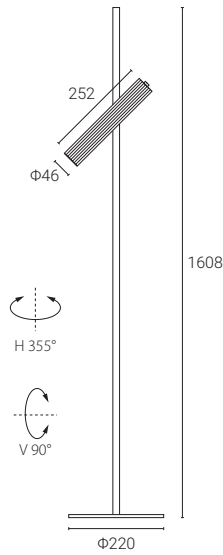
**MAG15-FL129-339**

15W  
15° / 24° / 36°  
CRI 90+  
2700/3000K/3500K/4000K/5000K/6000K



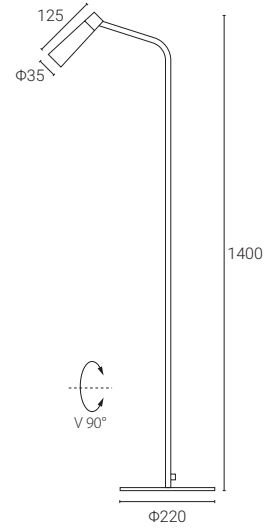
**MAG15-FL046-252**

15W  
15° / 24° / 36°  
CRI 90+  
2700/3000K/3500K/4000K/5000K/6000K



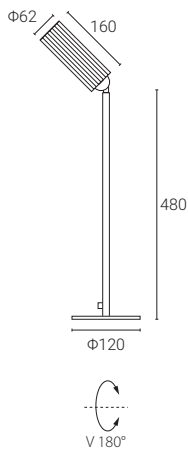
**MAG10-FL035-125**

10W  
15° / 24° / 36°  
CRI 90+  
2700/3000K/3500K/4000K/5000K/6000K



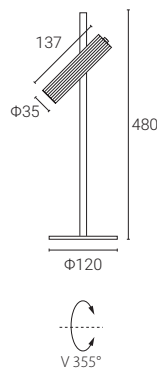
**MAG10-TB062-160**

10W  
15° / 24° / 36° or 15~36°  
CRI 90+  
2700/3000K/3500K/4000K/5000K/6000K



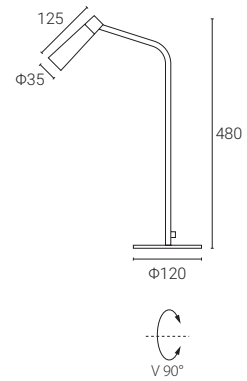
**MAG10-TB035-137**

10W  
15° / 24° / 36°  
CRI 90+  
2700/3000K/3500K/4000K/5000K/6000K



**MAG10-TB035-125**

10W  
15° / 24° / 36°  
CRI 90+  
2700/3000K/3500K/4000K/5000K/6000K



**OPTIONS**

1 No DIM





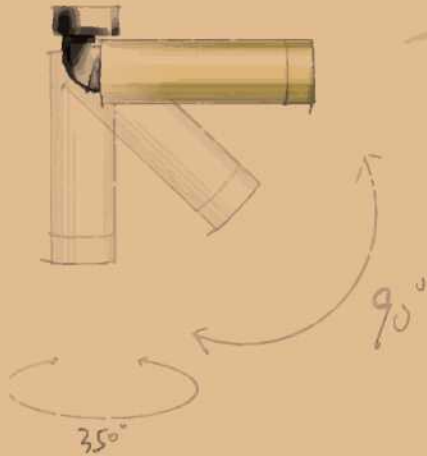
# FUNCTIONAL LIGHTING

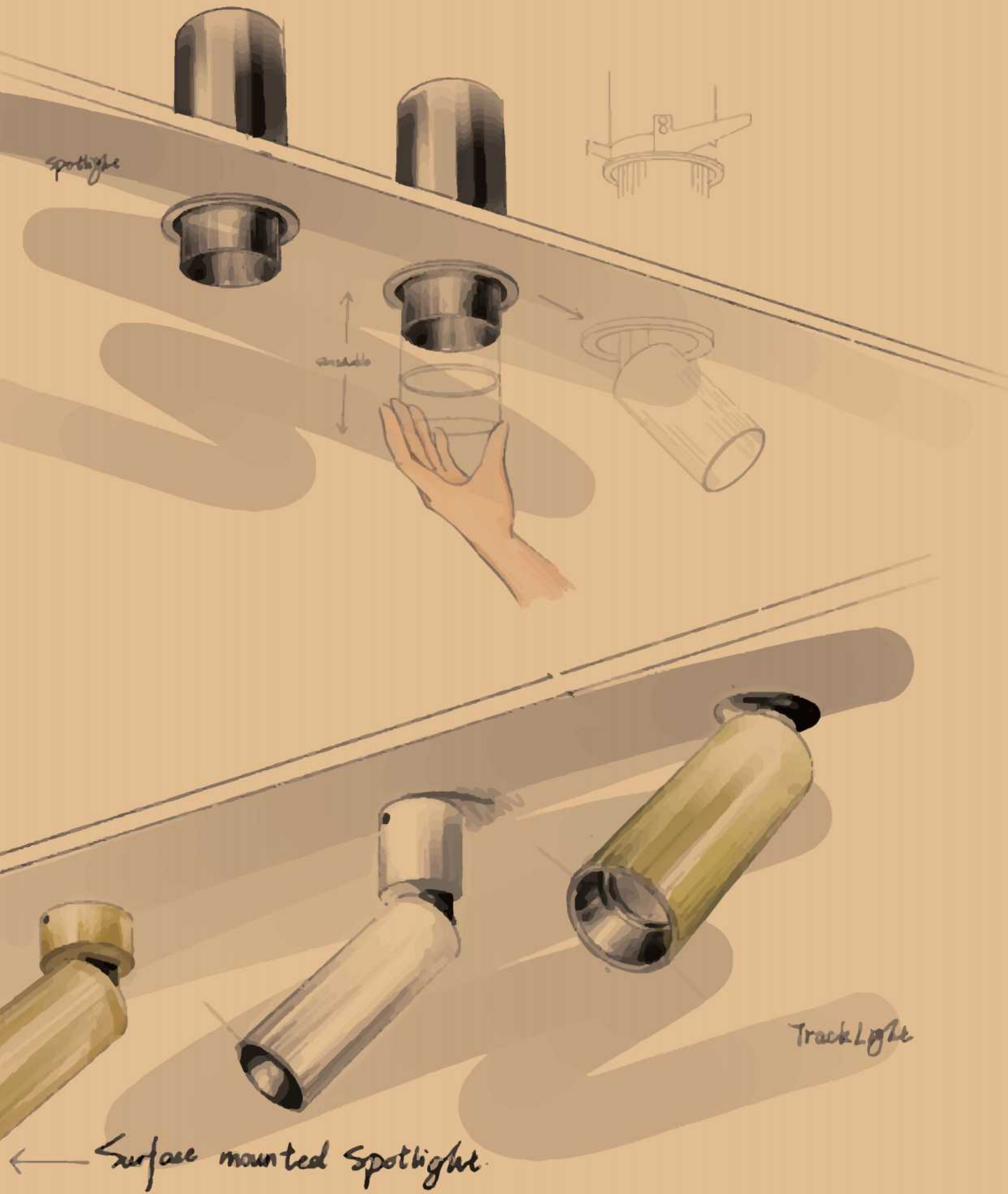


*Black.*

*Gold.*

*White.*





Spotlight

Adjustable

Track Light

Surface mounted Spotlight



# MAGIC

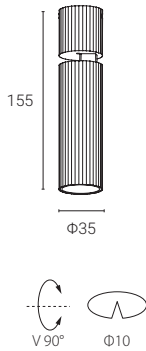
## DIVA

Recessed mounting and surface mounting are available for Flex series, which suit different kinds of installation needs. Adjustable beam angle(15~36°) version allows more flexibility of product application.

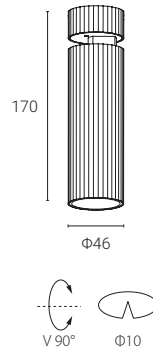




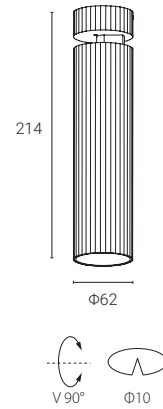
**MAG05-SUR35-155**  
 5W  
 15° / 24° / 36°  
 CRI 90+  
 2700/3000K/4000K



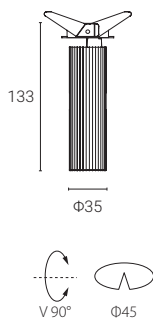
**MAG-SUR46-170**  
 10W  
 15° / 24° / 36° or 15 - 36°  
 CRI 90+  
 2700/3000K/4000K



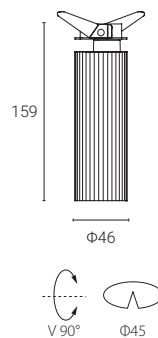
**MAG16-SUR62-214**  
 16W  
 15° / 24° / 36° or 15 - 36°  
 CRI 90+  
 2700/3000K/4000K



**MAG05-RE35-133**  
 5W  
 15° / 24° / 36°  
 CRI 90+  
 2700/3000K/4000K



**MAG10-RE46-159**  
 10W  
 15° / 24° / 36° or 15 - 36°  
 CRI 90+  
 2700/3000K/4000K



**OPTIONS**

1 No DIM

2 TRIAC

(FOR MAG05-RE35-133/MAG10-RE46-159 ONLY)







# MAGIC

## FLEX / BOX FLEX

Surface mounting with square& rectangle canopy design show the uniqueness of Box Flex series. With the zoomable beam angle 15~36° option, it offers more flexibility for decor and create different kinds of lighting distribution.



QUATTUOR  
+  
DOUBEL



# ZOOMABLE

ACCENTUATING VARIED SIZES OF OBJECTS WITH ADJUSTABLE BEAM ANGLE.

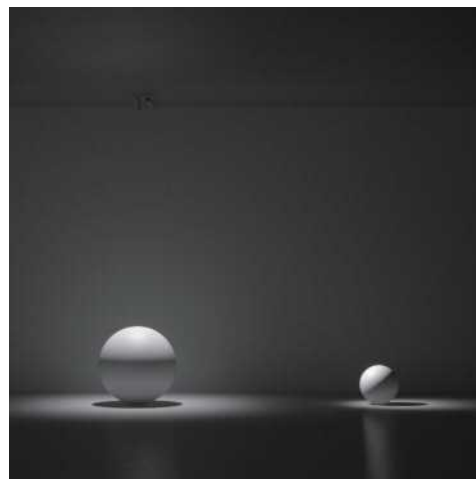
**FLOOD + FLOOD**

**36°+36°**



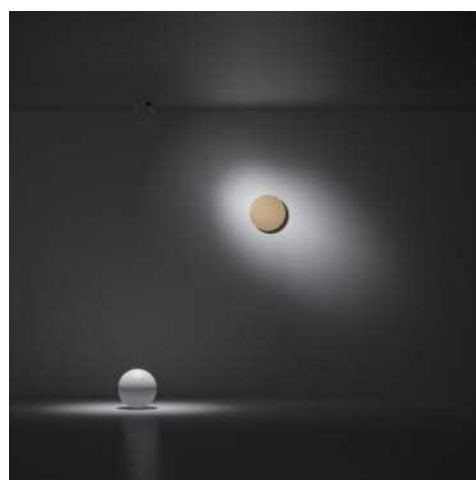
**FLOOD + NARROW**

**36°+15°**



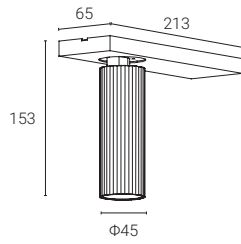
**NARROW + NARROW**

**15°+15°**



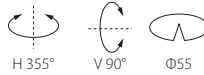
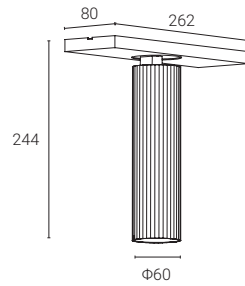
**MAG110-SUR45**

10W  
15° / 24° / 36° or 15 - 36°  
CRI 90+  
2700/3000K/4000K



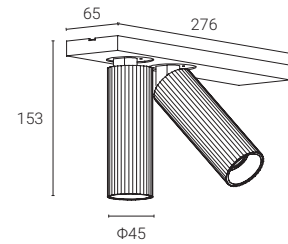
**MAG116-SUR60**

16W  
15° / 24° / 36° or 15 - 36°  
CRI 90+  
2700/3000K/4000K



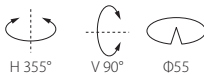
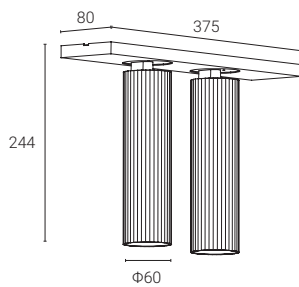
**MAG210-SUR45**

2x10W  
15° / 24° / 36° or 15 - 36°  
CRI 90+  
2700/3000K/4000K



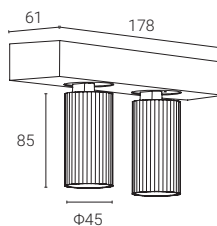
**MAG216-SUR60**

2x16W  
15° / 24° / 36° or 15 - 36°  
CRI 90+  
2700/3000K/4000K



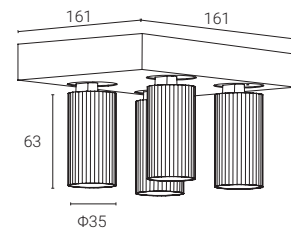
**MAG15-SUR45-D02**

15W  
15° / 24° / 36° or 15 - 36°  
CRI 90+  
2700/3000K/4000K



**MAG25-SUR35-D04**

25W  
15° / 24° / 36°  
CRI 90+  
2700/3000K/4000K



**OPTIONS**

- 1 No DIM
- 2 2.4GTUNABLE WHITE
- 3 TRIAC

(FOR MAG15-SUR45-D02/MAG25-SUR35-DO4 ONLY)









# MAGIC PEEKABOO

Peekaboo family, available in black, white and gold, is a compact tube that can be fully or half sunk into the ceiling. When pulling the cylinder out, peekaboo presents itself like a curious object peeking from the ceiling and is capable of "spying" up to 355° around the place.



**MAG05-IO60**

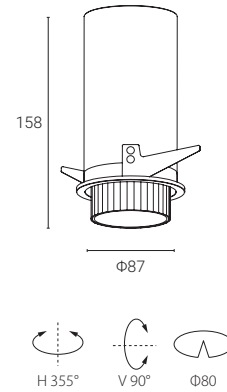
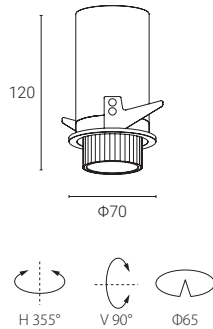
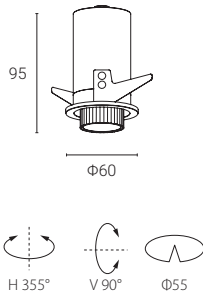
5W  
15° / 24° / 36°  
CRI 90+  
2700/3000K/4000K

**MAG07-IO70**

7W  
15° / 24° / 36° or 15 - 36°  
CRI 90+  
2700/3000K/4000K

**MAG15-IO87**

15W  
15° / 24° / 36° or 15 - 36°  
CRI 90+  
2700/3000K/4000K



**OPTIONS**

- 1 No DIM
- 2 TRIAC
- 3 DALI DIM





NARROW

MIDDLE

FLOOD

ZOOMABLE  
+  
ADJUSTABLE



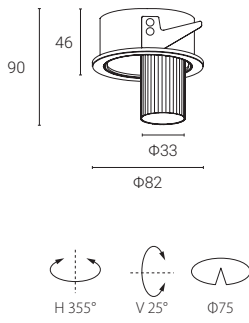
# MAGIC SWING

The special design of the Swing family brings a touch of elegance into any environment. Using double heads fixtures to create playful clusters or use single luminaire in all its simplicity.



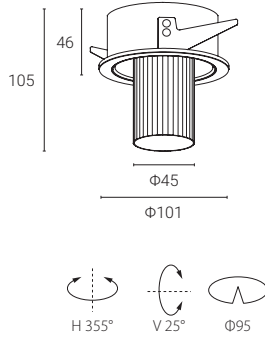
**MAG105-S33**

5W  
15° / 24° / 36°  
CRI 90+  
2700/3000K/4000K



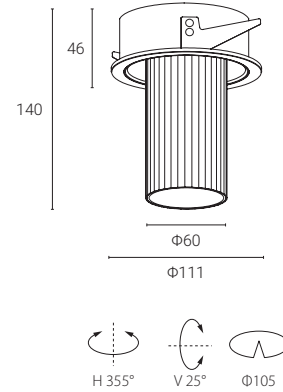
**MAG107-S45**

7W  
15° / 24° / 36° or 15 - 36°  
CRI 90+  
2700/3000K/4000K



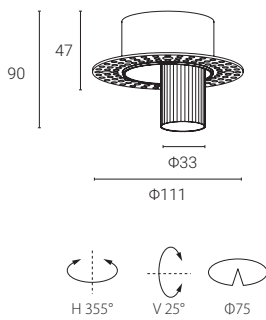
**MAG115-S60**

15W  
15° / 24° / 36° or 15 - 36°  
CRI 90+  
2700/3000K/4000K



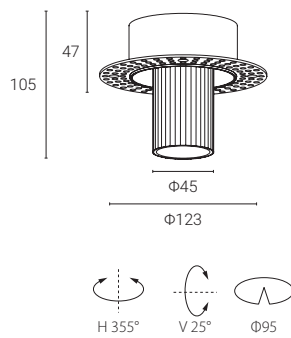
**MAG105-S33T**

5W  
15° / 24° / 36°  
CRI 90+  
2700/3000K/4000K



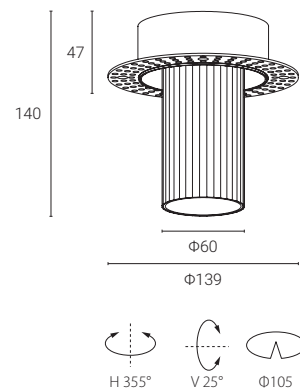
**MAG107-S45T**

7W  
15° / 24° / 36° or 15 - 36°  
CRI 90+  
2700/3000K/4000K



**MAG115-S60T**

15W  
15° / 24° / 36° or 15 - 36°  
CRI 90+  
2700/3000K/4000K



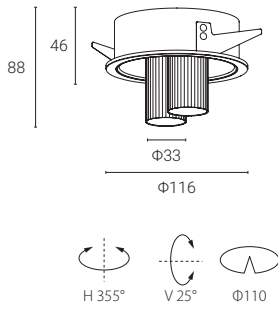
**OPTIONS**

- 1 No DIM
- 2 TRIAC
- 3 DALI DIM
- 4 0-10V DIM



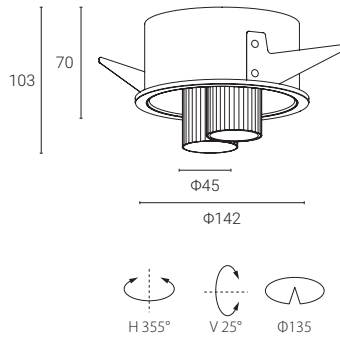
**MAG205-D33**

2x5W  
15° / 24° / 36°  
CRI 90+  
2700/3000K/4000K



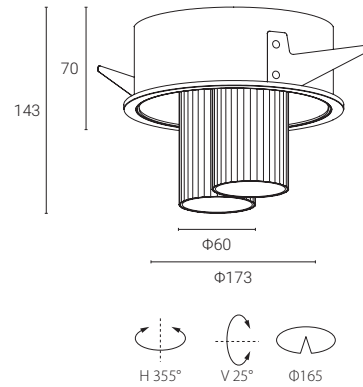
**MAG207-D45**

2x7W  
15° / 24° / 36° or 15 - 36°  
CRI 90+  
2700/3000K/4000K



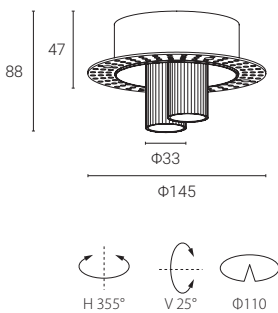
**MAG215-D60**

2x15W  
15° / 24° / 36° or 15 - 36°  
CRI 90+  
2700/3000K/4000K



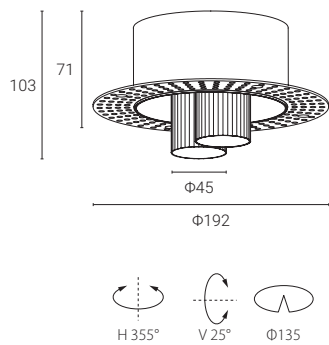
**MAG205-D33T**

2x5W  
15° / 24° / 36°  
CRI 90+  
2700/3000K/4000K



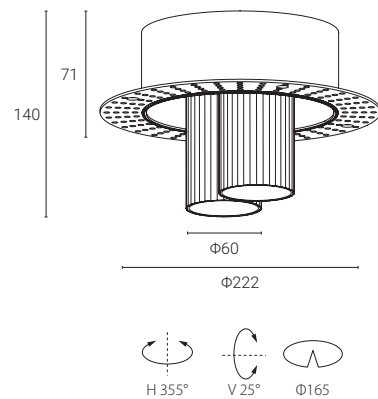
**MAG207-D45T**

2x7W  
15° / 24° / 36° or 15 - 36°  
CRI 90+  
2700/3000K/4000K



**MAG215-D60T**

2x15W  
15° / 24° / 36° or 15 - 36°  
CRI 90+  
2700/3000K/4000K



**OPTIONS**

- 1 No DIM
- 2 TRIAC
- 3 DALI DIM
- 4 0-10V DIM







# MAGIC PINNACLE 2.0

The slender shape of the cylinder combining with its modern style perfectly shows the uniqueness of Pinnacle 2.0 series. Slim tubes, just carelessly hanging down from the ceiling highlights the whole environment.

**MAG05-SUS33**

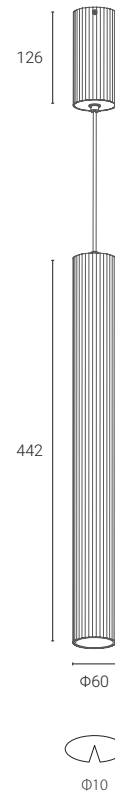
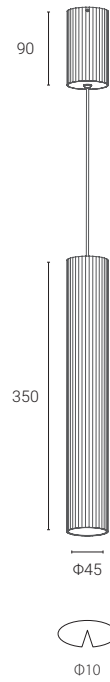
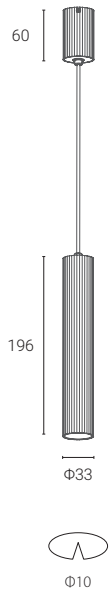
5W  
15° / 24° / 36°  
CRI 90+  
2700/3000K/4000K

**MAG10-SUS45**

10W  
15° / 24° / 36°  
CRI 90+  
2700/3000K/4000K

**MAG16-SUS60**


16W  
15° / 24° / 36° or 15 - 36°  
CRI 90+  
2700/3000K/4000K



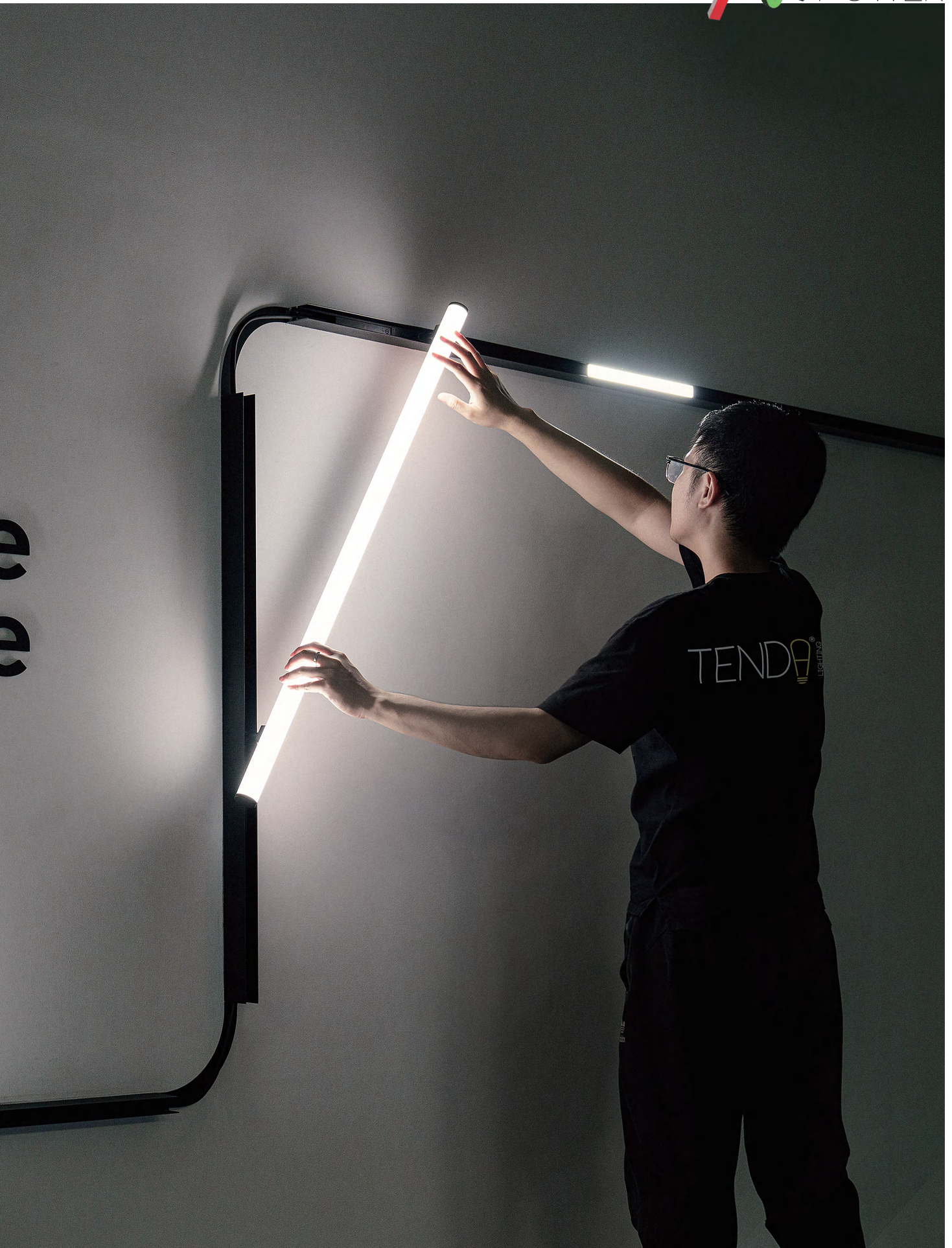
OPTIONS

- 1 No DIM



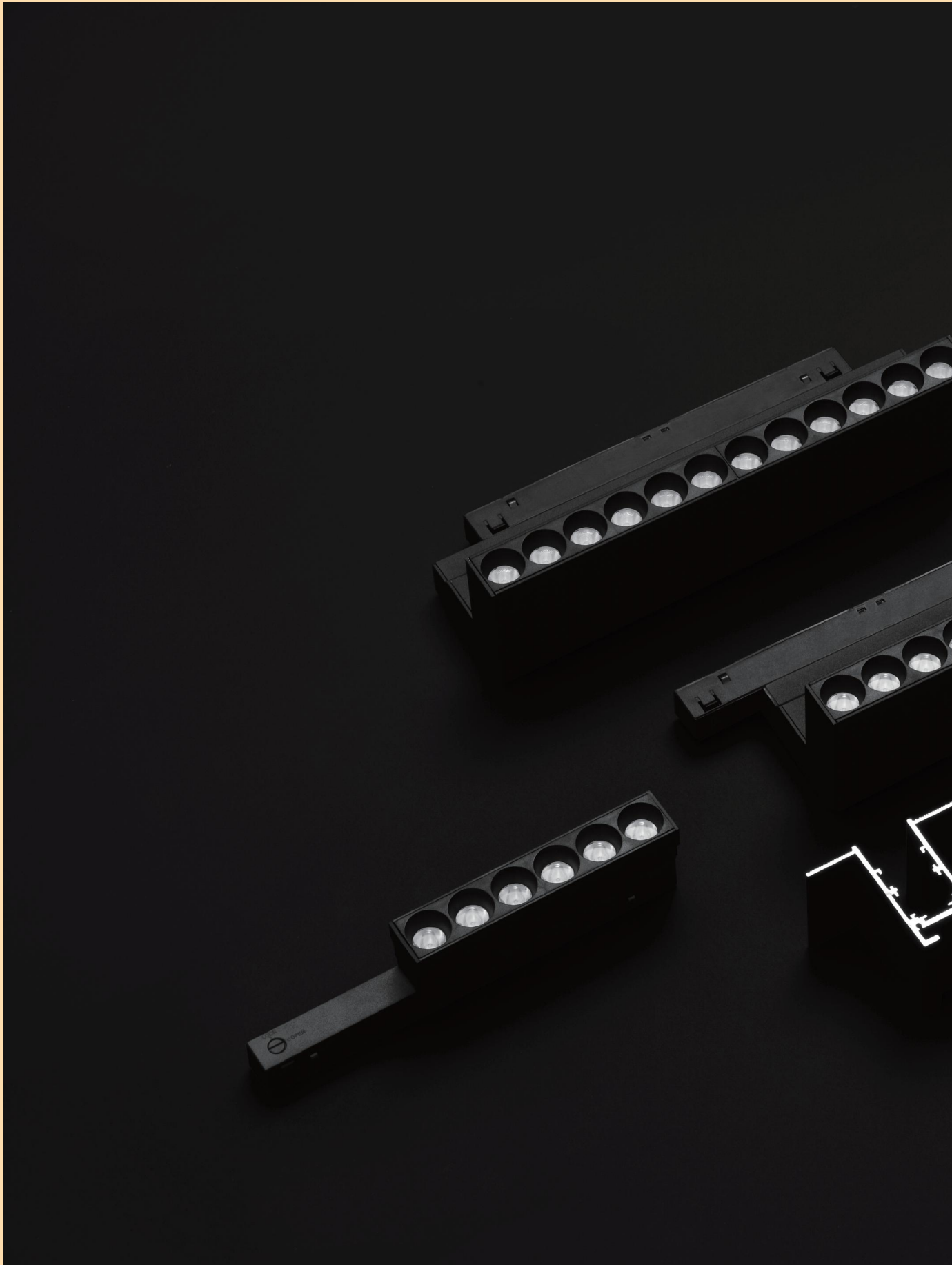
A dark grey background with a white diagonal line running from the top-left towards the bottom-right. The text "you're on the right track" is written in a bold, black, sans-serif font on the right side of the image.

**you're  
on the  
right  
track**



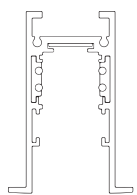
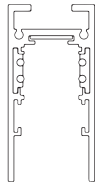
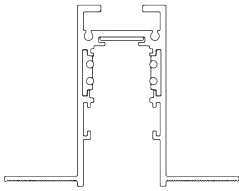
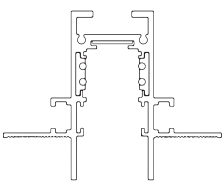














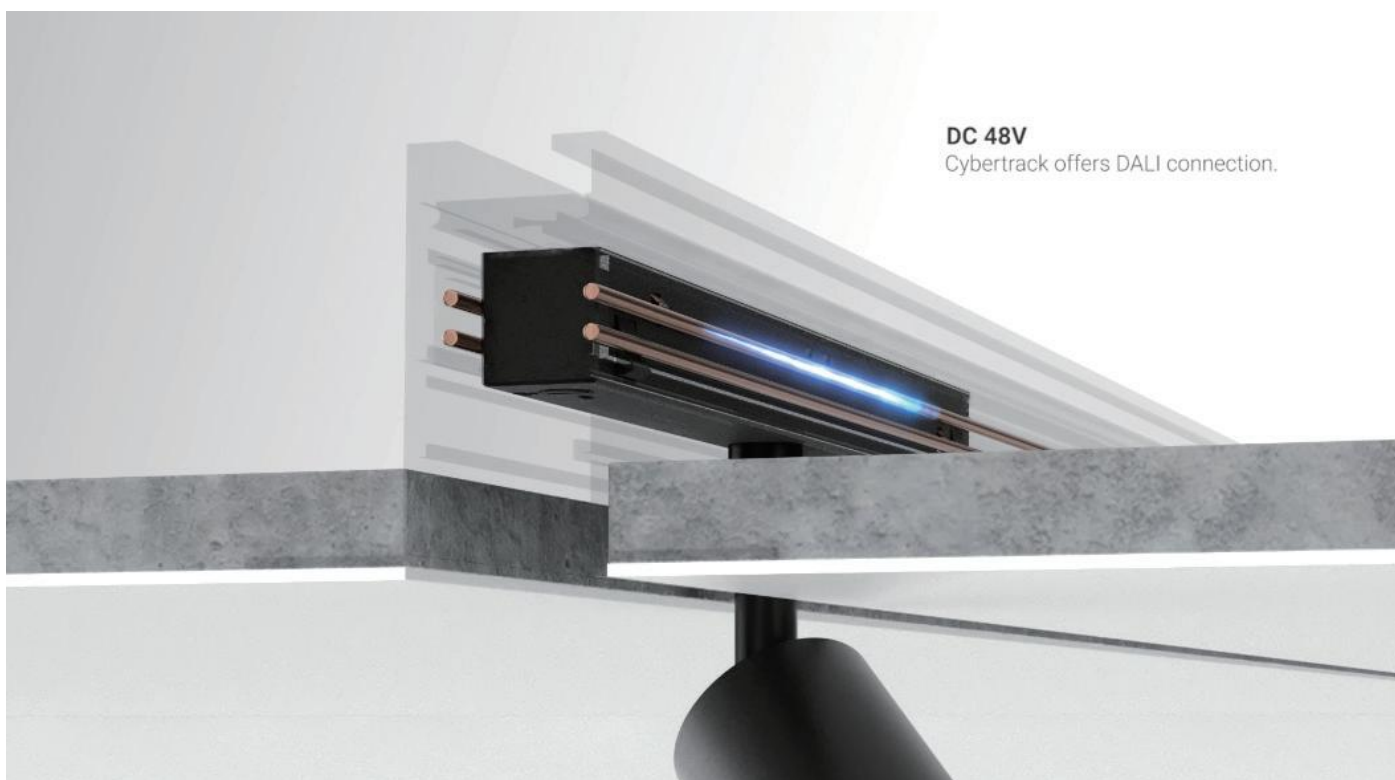
OPEN AND LOCK

It is a low voltage(DC48V)track system,where the miniaturization of the profile(26mm),  
Luminaires and components reaches a new paradigm.



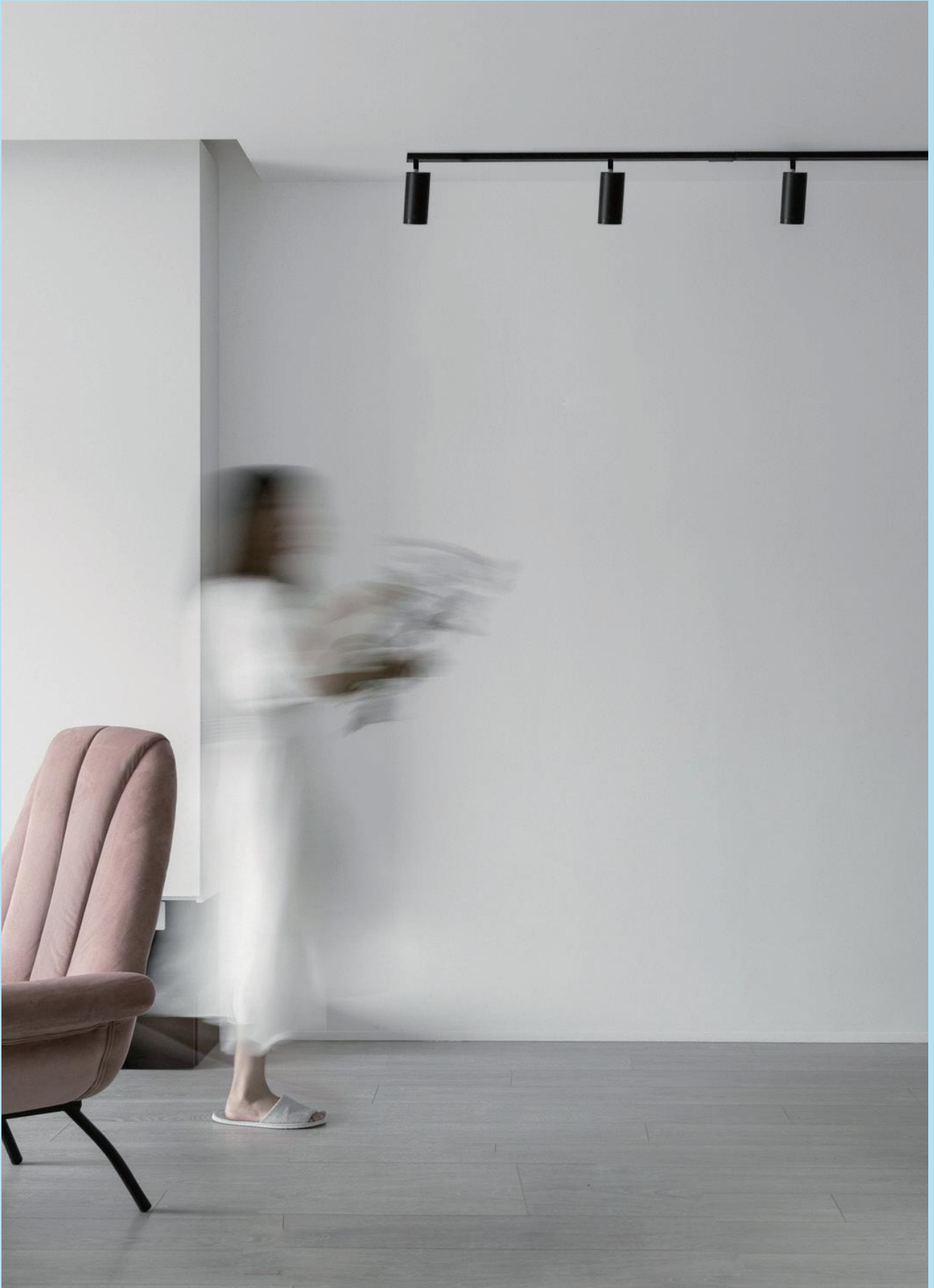
Connection adapter for Track driver and cluster configuration

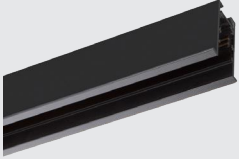
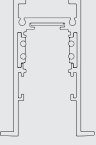

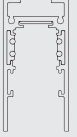

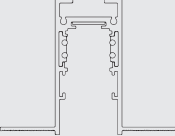

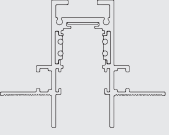
Mpower has been designed to bring you a miniaturized yet high performing, integrated track lighting solution. Its magnet installation offers a super easy and flexible way to design the light in the space. Compatible with international DALI protocol and BLUE MESH.









TRACK VERSION		
RECESSED		
SURFACE		
TRIMLESS		
TRIMLESS		
Voltage	DC48V	
Track width	26mm	
Track Length	Regular size 1m/2m/3m.can be customized	
Conductive	Side electricity	
Accessory	Track corner,track connector,power supply circuits.end-cap	



Lamp Type

Linear spot



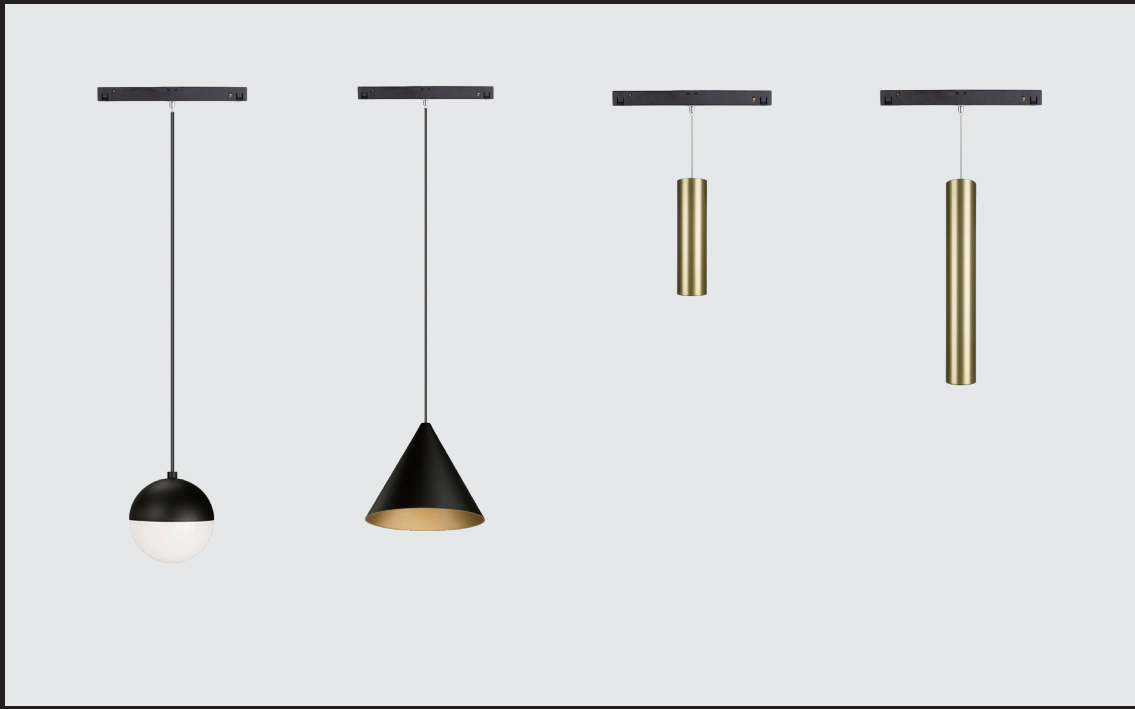
Spotlight

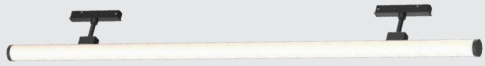
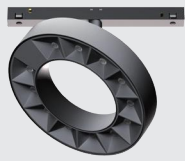


Linear diffuser



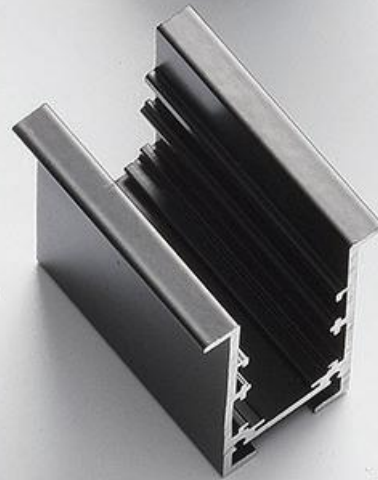
Pendant Light









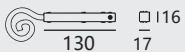




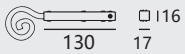
	Length	Input Voltage	Installation	Material	Color	Model Number
MPOWER	1000mm	DC48V	surface	aluminum	black	MP-SUR-TR100B
	2000mm	DC48V	surface	aluminum	black	MP-SUR-TR200B
	3000mm	DC48V	surface	aluminum	black	MP-SUR-TR300B

DC48V | CE | IP20 | Intelligent control system

### POWER FEEDER UNIT

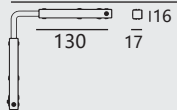


MP-50CON  
power supply connector, CABLE50CM



MP-200CON  
power supply connector, CABLE200CM

### CONNECTOR SET

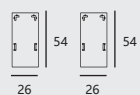


MP-TRCONL  
Track corner connector

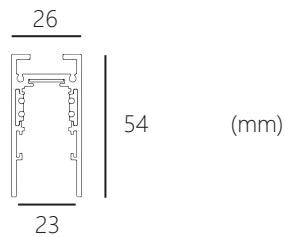


MP-TRCON  
Track connector

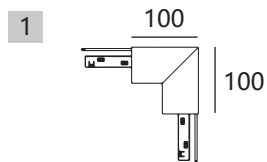
### END CAPS



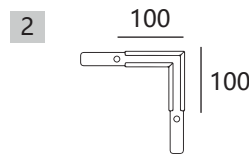
MP-ENDCAP  
End cap



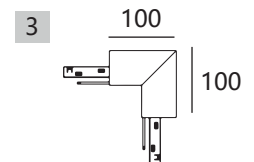
### INSTALLATION TRACK



MP-SUR-VER90  
vertical track corner 90°  
surface+circuit corner connector

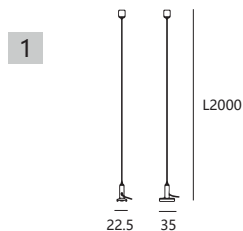


MP-SUR-HOR90  
horizontal track corner 90°  
surface+circuit corner connector

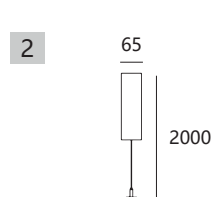


MP-SUR-EXT90  
external track corner 90°  
surface+circuit corner connector

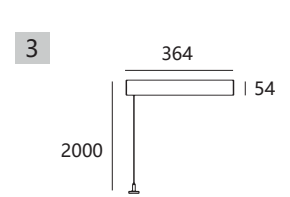
### CEILING FASTENER/CABLE SUSPENSION/CANOOPY



MP-KIT-SUS01  
suspended kit  
CABLE 200cm



MP-KIT-SUS02  
Suspended kit  
with cylinder driver box



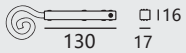
MP-KIT-SUS03  
suspended kit  
with rectangle driver box



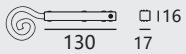
	Length	Input Voltage	Installation	Material	Color	Model Number
MPOWER	1000mm	DC48V	trim 30mm	aluminum	black	MP-RE-100B
	2000mm	DC48V	trim 30mm	aluminum	black	MP-RE-200B
	3000mm	DC48V	trim 30mm	aluminum	black	MP-RE-300B

DC48V | CE IP20

### POWER FEEDER UNIT

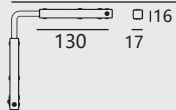


MP-50CON  
power supply connector, CABLE50CM



MP-200CON  
power supply connector, CABLE200CM

### CONNECTOR SET

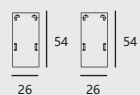


MP-TRCONL  
Track corner connector

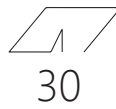


MP-TRCON  
Track connector

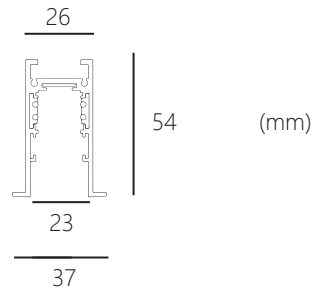
### END CAPS



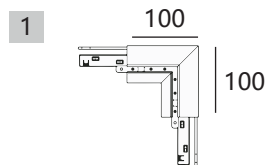
MP-ENDCAP  
End cap



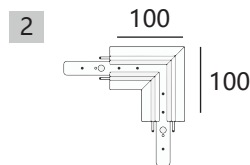
30



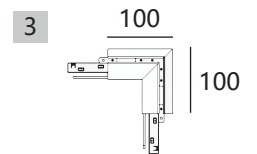
### INSTALLATION TRACK



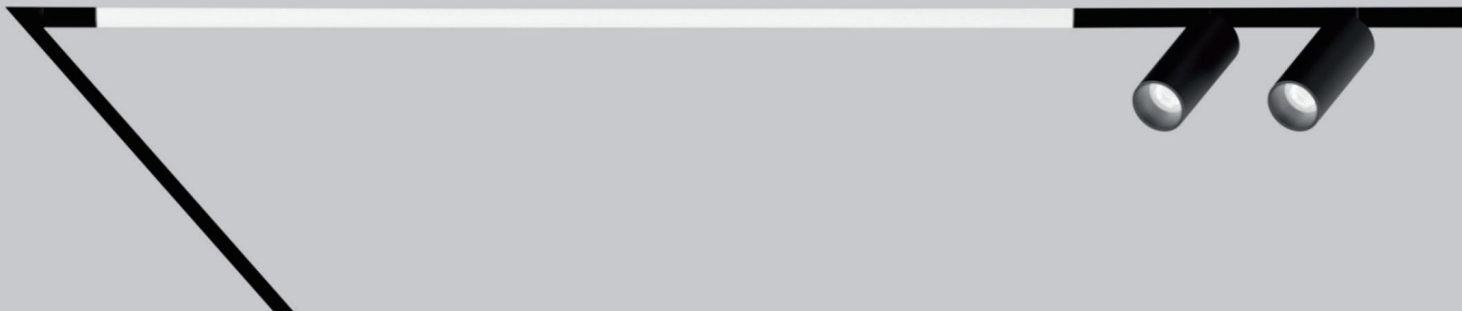
MP-RE-VER90  
vertical track corner 90°  
surface+circuit corner connector



MP-RE-HOR90  
horizontal track corner 90°  
surface+circuit corner connector



MP-RE-EXT90  
external track corner 90°  
surface+circuit corner connector



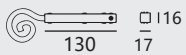
	Length	Input Voltage	Installation	Material	Color	Model Number
MPOWER	1000mm	DC48V	trimless 30mm	aluminum	black	MP-RE01T-100B
	2000mm	DC48V	trimless 30mm	aluminum	black	MP-RE01T-200B
	3000mm	DC48V	trimless 30mm	aluminum	black	MP-RE01T-300B

DC48V | CE IP20

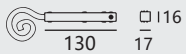
Intelligent control system



#### POWER FEEDER UNIT

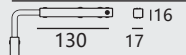


MP-50CON  
power supply connector, CABLE50CM



MP-200CON  
power supply connector, CABLE200CM

#### CONNECTOR SET

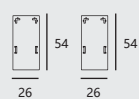


MP-TRCONL  
Track corner connector

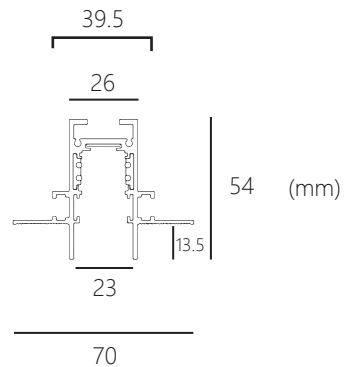
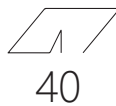


MP-TRCON  
Track connector

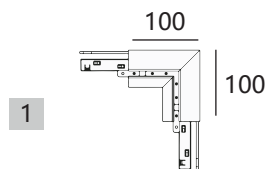
#### END CAPS



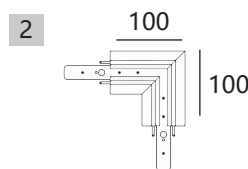
MP-ENDCAP  
End cap



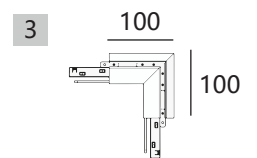
#### INSTALLATION TRACK



MP-RE02T-VER90  
vertical track corner 90°  
surface+circuit corner connector

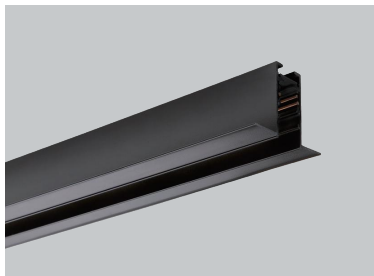
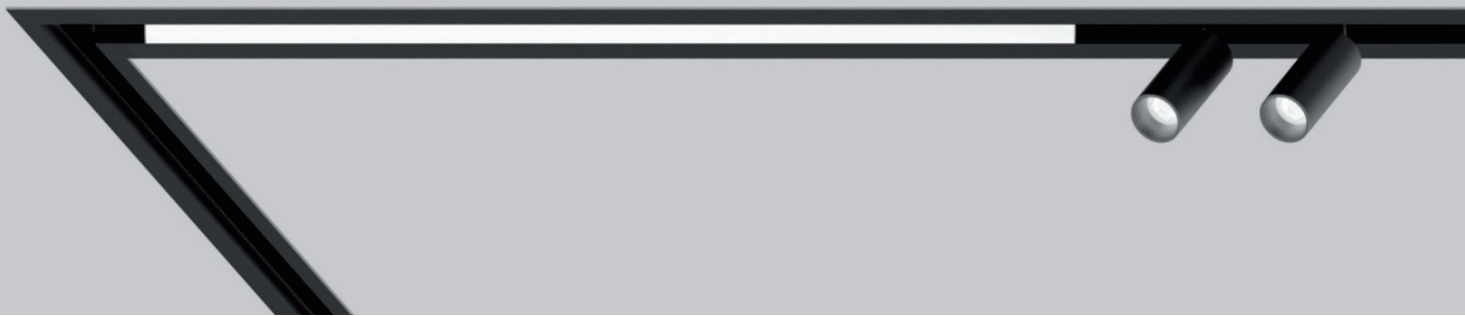


MP-RE02T-HOR90  
horizontal track corner 90°  
surface+circuit corner connector



MP-RE02T-EXT90  
external track corner 90°  
surface+circuit corner connector

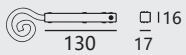




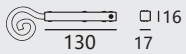
	Length	Input Voltage	Installation	Material	Color	Model Number
<b>MPOWER</b>	1000mm	DC48V	trimless 30mm	aluminum	black	MP-RE02T-100B
	2000mm	DC48V	trimless 30mm	aluminum	black	MP-RE02T-200B
	3000mm	DC48V	trimless 30mm	aluminum	black	MP-RE02T-300B

DC48V | CE IP20 Intelligent control system |

### POWER FEEDER UNIT

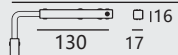


MP-50CON  
power supply connector, CABLE50CM



MP-200CON  
power supply connector, CABLE200CM

### CONNECTOR SET

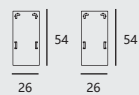


MP-TRCONL  
Track corner connector

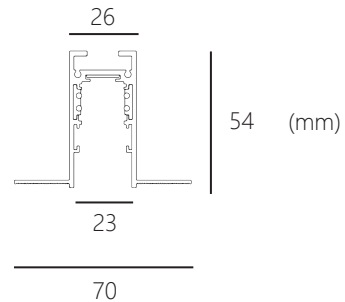
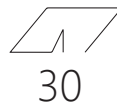


MP-TRCON  
Track connector

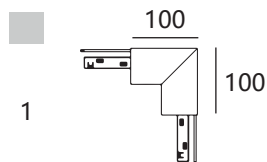
### END CAPS



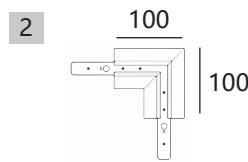
MP-ENDCAP  
End cap



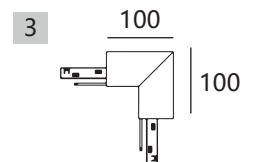
### INSTALLATION TRACK



MP-RE01-VER90  
vertical track corner 90°  
surface+circuit corner connector



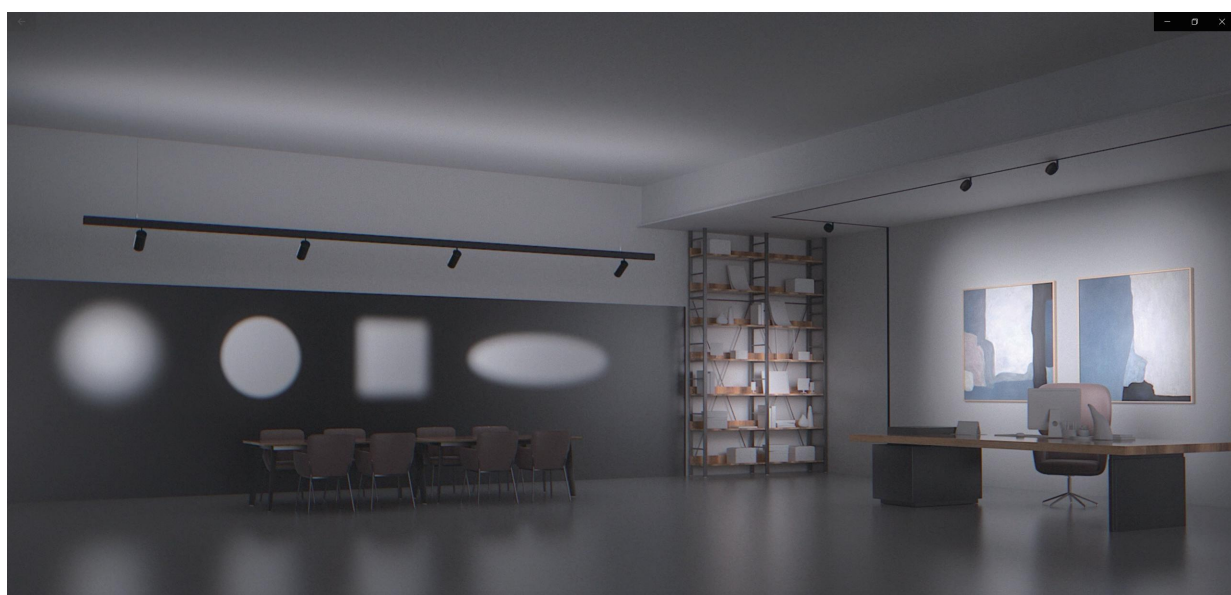
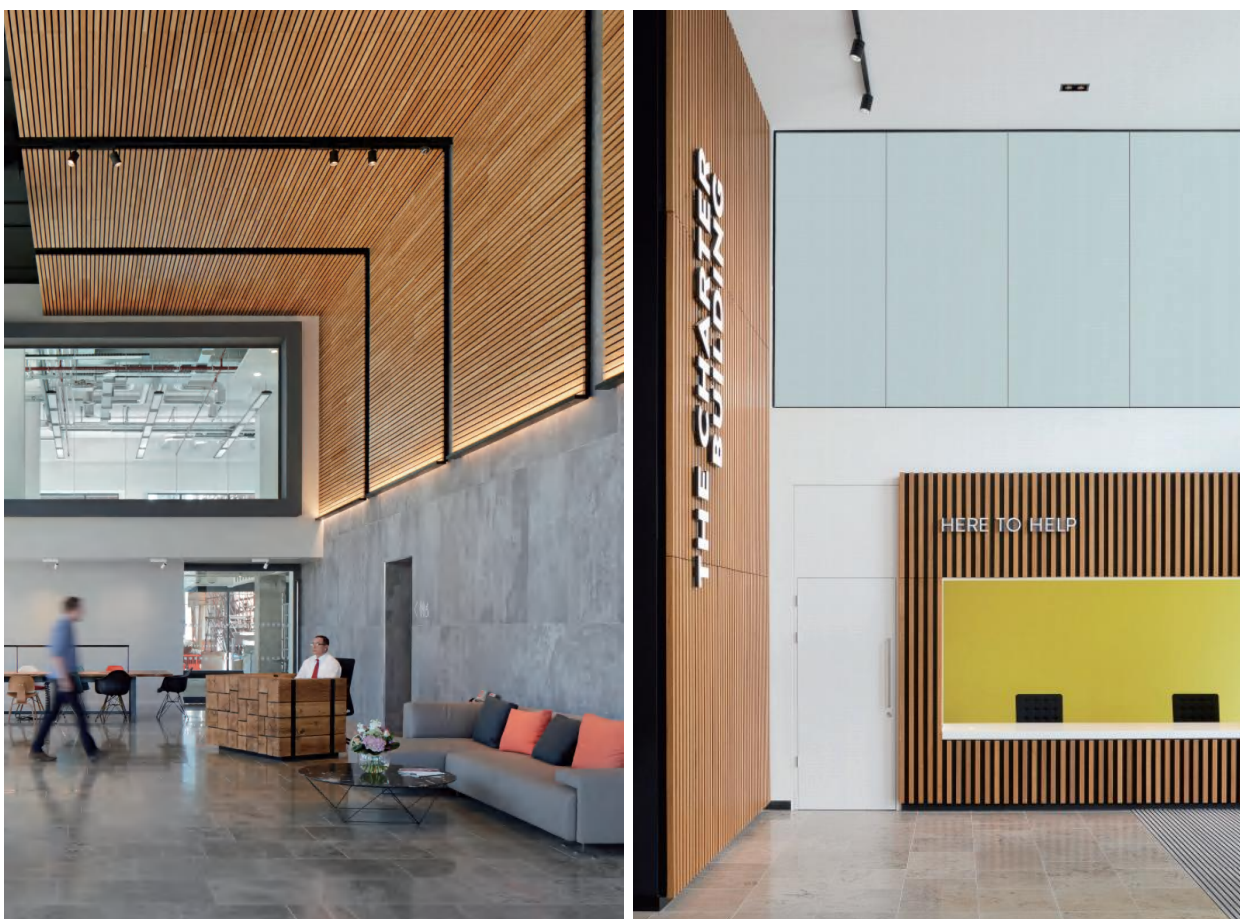
MP-RE01-HOR90  
horizontal track corner 90°  
surface+circuit corner connector



MP-RE01-EXT90  
external track corner 90°  
surface+circuit corner connector

Our technically sophisticated and aesthetically convincing LED luminaries are highly recommended and used by lighting designers. We care about mostly, the value for people, We stand for openness, honesty and confidence We are a light factory instead of a luminaries factory.

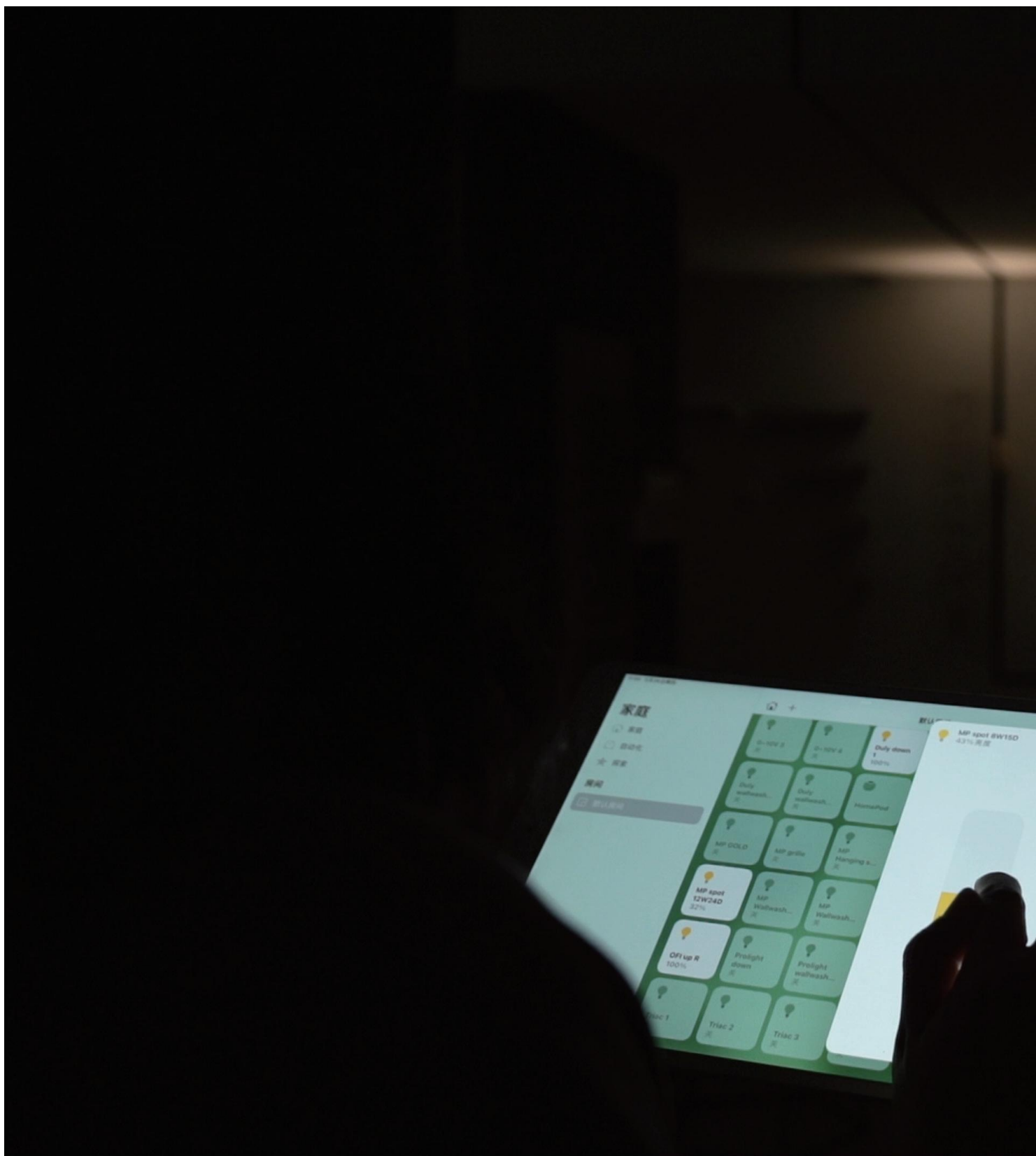
TENDA is actively developing, Production is located in Zhongshan city, China We are able to provide quick OEM and ODM solutions tailored to Our technically sophisticated and aesthetically convincing LED luminaries are highly recommended and used by lighting designers. We care about mostly, the value for people, We stand for openness, honesty and confidence We are a light factory instead of a luminaries factory.

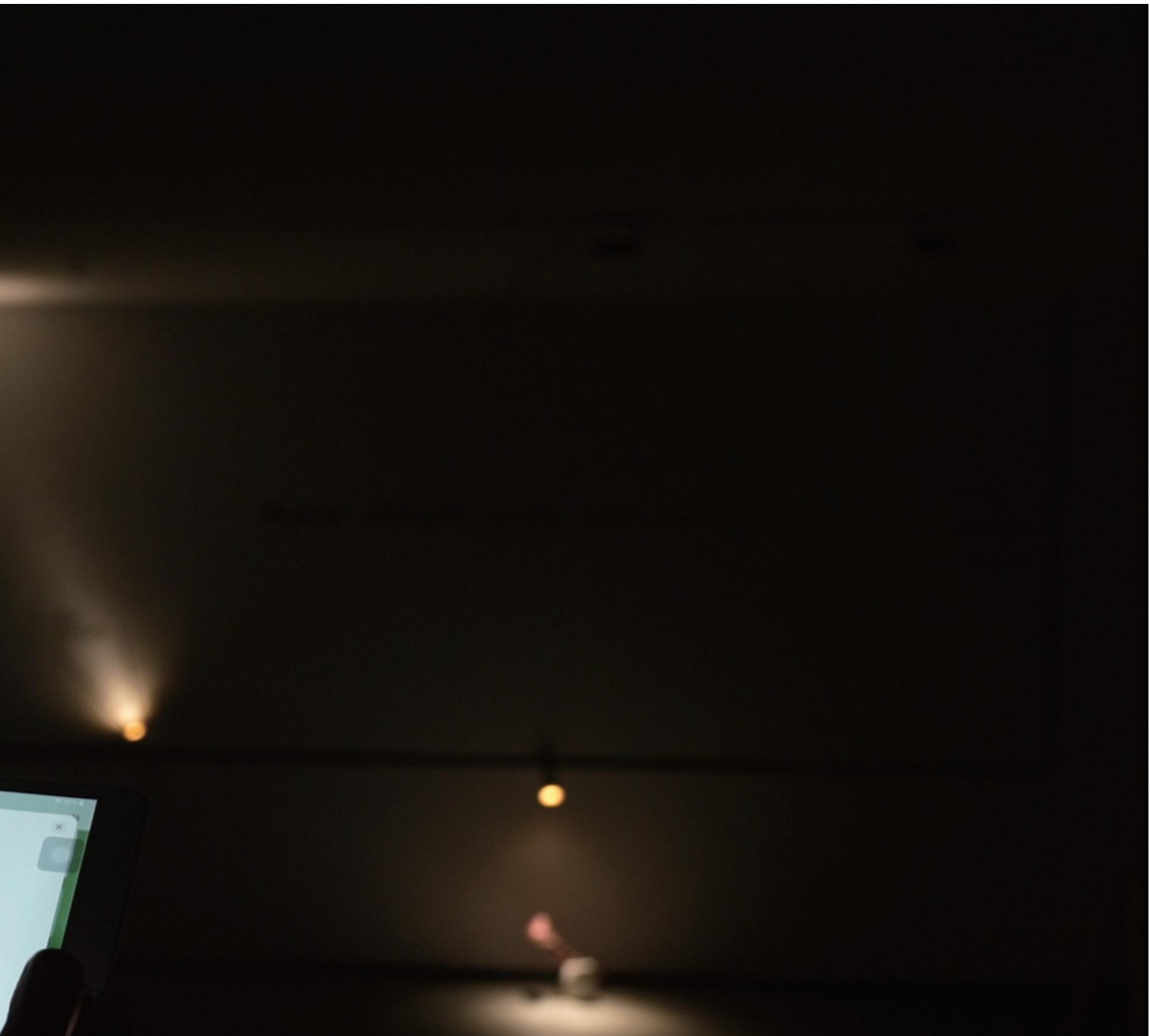






# Intelligent control system





 **LUTRON**

**CASAMBI**

**Schneider**  
Electric

**LEVITON**

**KNX**


**basalte** | home

 **CRESTRON**


**Helvar** *freedom in lighting*

 **niko**

**GIRA**

 Works with  
**Apple HomeKit**

 **Google HOME**

 **amazon alexa**

**Control4**

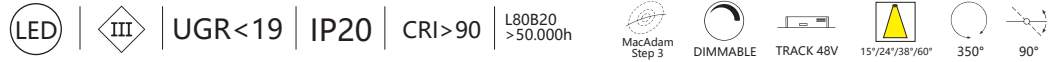
**tuya**

# FOCUS

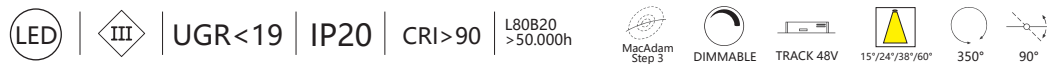




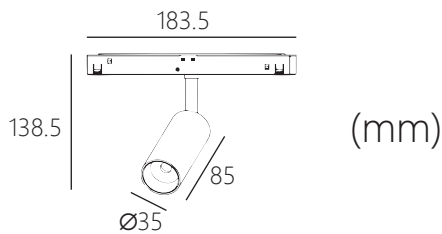
	P	Flux	CCT	Beam	Color	Voltage
MP-S108	8W	610lm	2700K	15°/24°/38°/60°	B/W	DC48V
	8W	640lm	3000K	15°/24°/38°/60°	B/W	DC48V
	8W	680lm	4000K	15°/24°/38°/60°	B/W	DC48V



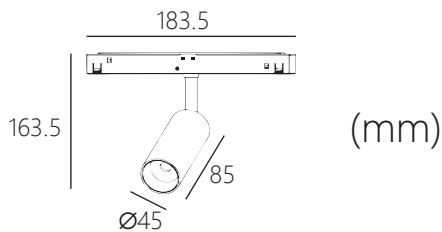
	P	Flux	CCT	Beam	Color	Voltage
MP-S112	12W	960lm	2700K	15°/24°/38°/60°	B/W	DC48V
	12W	1000lm	3000K	15°/24°/38°/60°	B/W	DC48V
	12W	1040lm	4000K	15°/24°/38°/60°	B/W	DC48V



MP-S108



MP-S112



OPTIONS

- 1 No DIM
- 2 DIM DALI
- 3 Bluetooth
- 4 0-10V
- 5 Zigbee
- 6 Tunnable white







	P	Flux	CCT	Beam	Color	Voltage
MP-S208	2*8W	2*610lm	2700K	15°/24°/38°/60°	B/W	DC48V
	2*8W	2*640lm	3000K	15°/24°/38°/60°	B/W	DC48V
	2*8W	2*680lm	4000K	15°/24°/38°/60°	B/W	DC48V

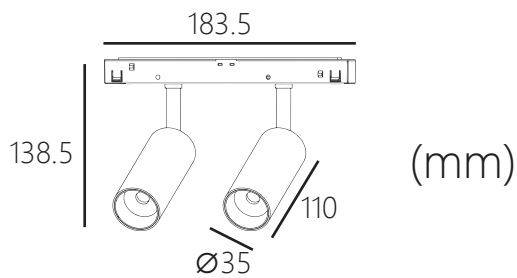
| | UGR<19 | IP20 | CRI>90 | L80B20 >50.000h | | | | | |



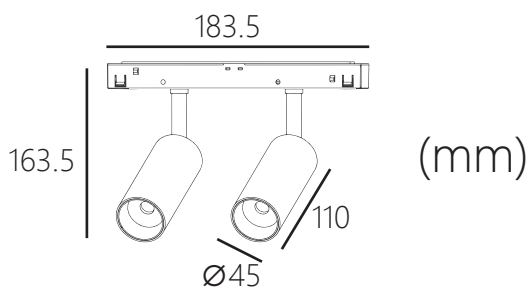
	P	Flux	CCT	Beam	Color	Voltage
MP-S212	12W	960lm	2700K	15°/24°/38°/60°	B/W	DC48V
	12W	1000lm	3000K	15°/24°/38°/60°	B/W	DC48V
	12W	1040lm	4000K	15°/24°/38°/60°	B/W	DC48V

| | UGR<19 | IP20 | CRI>90 | L80B20 >50.000h | | | | | |

MP-S208



MP-S212

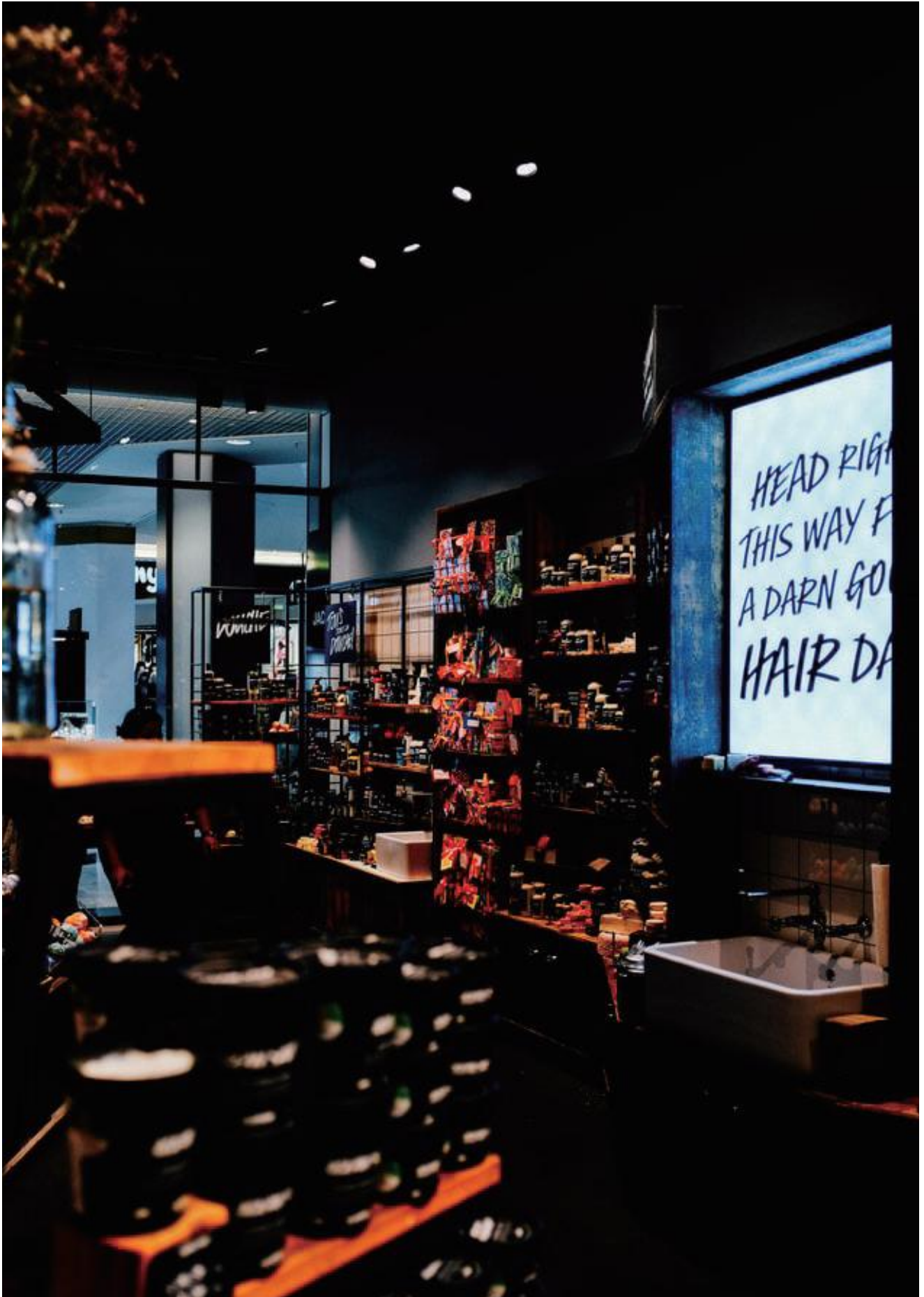


OPTIONS

- 1 No DIM
- 2 DIM DALI
- 3 Bluetooth
- 4 0-10V
- 5 Zigbee
- 6 Tunnable white









	P	Flux	CCT	Beam	Color	Voltage
MP-S115	15W	1160lm	2700K	15°/24°/38°/60°	W/B	DC48V
	15W	1200lm	3000K	15°/24°/38°/60°	W/B	DC48V
	15W	1240lm	4000K	15°/24°/38°/60°	W/B	DC48V

LED | III | **UGR<19** | **IP20** | **CRI>90** | **L80B20 >50.000h**

MacAdam Step 3 | DIMMABLE | TRACK 48V | 15°/24°/38°/60° | 350° | 90°

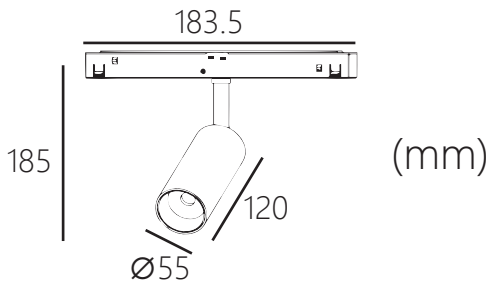


	P	Flux	CCT	Beam	Color	Voltage
MP-S125	25W	1960lm	2700K	15°/24°/38°/60°	W/B	DC48V
	25W	2000lm	3000K	15°/24°/38°/60°	W/B	DC48V
	25W	2040lm	4000K	15°/24°/38°/60°	W/B	DC48V

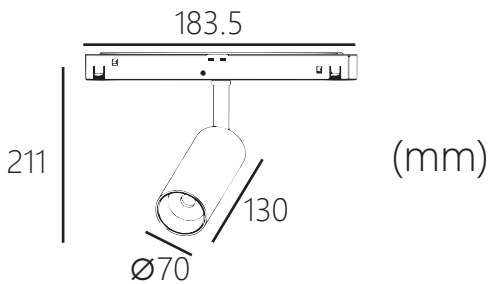
LED | III | **UGR<19** | **IP20** | **CRI>90** | **L80B20 >50.000h**

MacAdam Step 3 | DIMMABLE | TRACK 48V | 15°/24°/38°/60° | 350° | 90°

MP-S115



MP-S125



OPTIONS

- 1 No DIM
- 2 DIM DALI
- 3 Bluetooth
- 1 0-10V
- 2 Zigbee
- 3 Tunnable white





Zoom



	P	Flux	CCT	Beam	Color	Voltage
MP-S15BEA	15W	1160lm	2700K	15°-36° , 36°-60°	B	DC48V
	15W	1200lm	3000K	15°-36° , 36°-60°	B	DC48V
	15W	1240lm	4000K	15°-36° , 36°-60°	B	DC48V

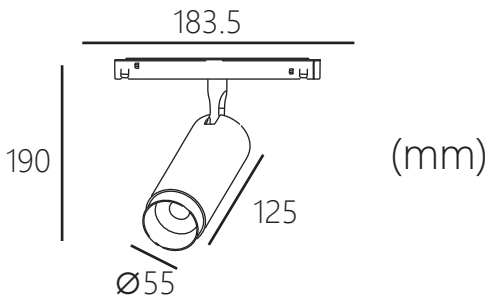
LED | III | **UGR<19** | **IP20** | **CRI>90** | **L80B20 >50.000h** | 
 MacAdam Step 3 | DIMMABLE | TRACK 48V | 15°/24°/38°/60° | 350° | 90°



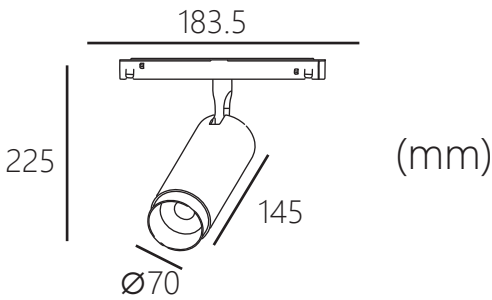
	P	Flux	CCT	Beam	Color	Voltage
MP-S25BEA	25W	1960lm	2700K	15°-36° , 36°-60°	B	DC48V
	25W	2000lm	3000K	15°-36° , 36°-60°	B	DC48V
	25W	2040lm	4000K	15°-36° , 36°-60°	B	DC48V

LED | III | **UGR<19** | **IP20** | **CRI>90** | **L80B20 >50.000h** | 
 MacAdam Step 3 | DIMMABLE | TRACK 48V | 15°/24°/38°/60° | 350° | 90°

**MP-S15BEA**



**MP-S25BEA**



**OPTIONS**

- 1 No DIM
- 2 DIM DALI
- 3 Bluetooth
- 1 0-10V
- 2 Zigbee
- 3 Tunnable white





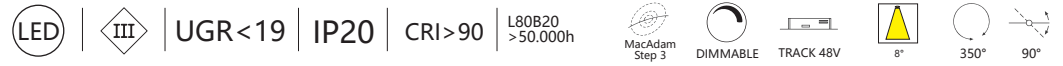
# Focus D



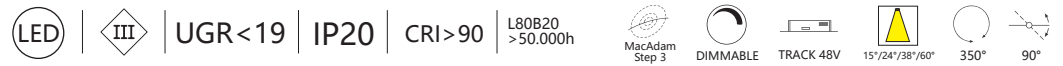




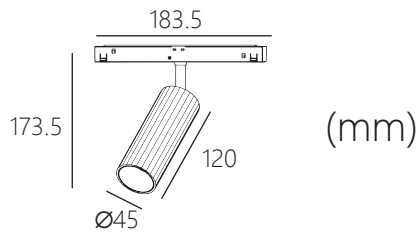
	P	Flux	CCT	Beam	Color	Voltage
MP-S110L	10W	750lm	2700K	8°	B/W	DC48V
	10W	770lm	3000K	8°	B/W	DC48V
	10W	800lm	4000K	8°	B/W	DC48V



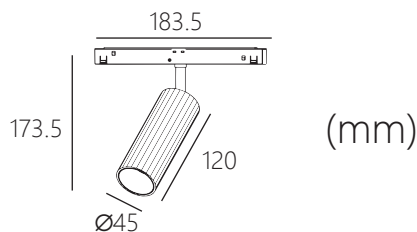
	P	Flux	CCT	Beam	Color	Voltage
MP-S112L	12W	900lm	2700K	15°/24°/38°/60°	B/W	DC48V
	12W	935lm	3000K	15°/24°/38°/60°	B/W	DC48V
	12W	970lm	4000K	15°/24°/38°/60°	B/W	DC48V



MP-S110L



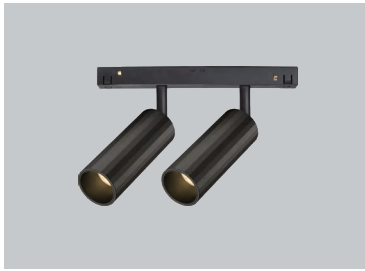
MP-S112L



OPTIONS

- 1 No DIM
- 2 DIM DALI
- 3 Bluetooth
- 4 0-10V
- 5 Zigbee
- 6 Tunnable white





	P	Flux	CCT	Beam	Color	Voltage
MP-S210L	2*10W	2*750lm	2700K	8°	B/W	DC48V
	2*10W	2*770lm	3000K	8°	B/W	DC48V
	2*10W	2*800lm	4000K	8°	B/W	DC48V

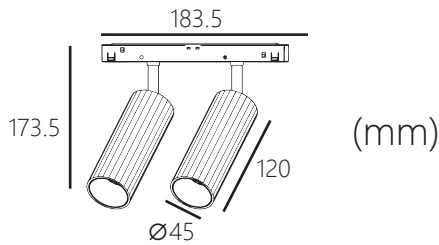
LED | III | **UGR<19** | **IP20** | **CRI>90** | **L80B20 >50.000h** | 
 MacAdam Step 3 | DIMMABLE | TRACK 48V | 8° | 350° | 90°



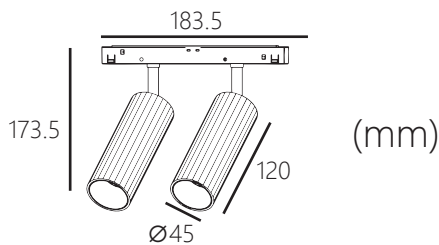
	P	Flux	CCT	Beam	Color	Voltage
MP-S212L	12W	2*900lm	2700K	15°/24°/38°/60°	B/W	DC48V
	12W	2*935lm	3000K	15°/24°/38°/60°	B/W	DC48V
	12W	2*970lm	4000K	15°/24°/38°/60°	B/W	DC48V

LED | III | **UGR<19** | **IP20** | **CRI>90** | **L80B20 >50.000h** | 
 MacAdam Step 3 | DIMMABLE | TRACK 48V | 15°/24°/38°/60° | 350° | 90°

**MP-S210L**



**MP-S212L**



**OPTIONS**

- 1 No DIM
- 2 DIM DALI
- 3 Bluetooth
- 4 0-10V
- 5 Zigbee
- 6 Tunnable white





# Raster A



	P	Flux	CCT	Beam	Color	Voltage
MP-R10A	10W	810lm	2700K	15°/24°/38°	B	DC48V
	10W	840lm	3000K	15°/24°/38°	B	DC48V
	10W	880lm	4000K	15°/24°/38°	B	DC48V

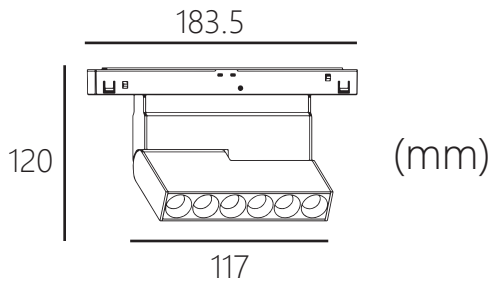
LED | III | UGR<19 | IP20 | CRI>90 | L80B20 >50.000h | 
 MacAdam Step 3 | DIMMABLE | TRACK 48V | 15°/24°/38° | 90°



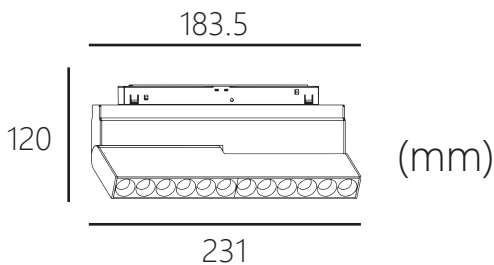
	P	Flux	CCT	Beam	Color	Voltage
MP-R20A	20W	1560lm	2700K	15°/24°/38°	B	DC48V
	20W	1600lm	3000K	15°/24°/38°	B	DC48V
	20W	1640lm	4000K	15°/24°/38°	B	DC48V

LED | III | UGR<19 | IP20 | CRI>90 | L80B20 >50.000h | 
 MacAdam Step 3 | DIMMABLE | TRACK 48V | 15°/24°/38° | 90°

MP-R10A



MP-R20A



OPTIONS

- 1 No DIM
- 2 DIM DALI
- 3 Bluetooth
- 4 0-10V
- 5 Zigbee
- 6 Tunnable white





Linear A



	P	Flux	CCT	Beam	Color	Voltage
MP-R08B	8W	610lm	2700K	112°	B	DC48V
	8W	640lm	3000K	112°	B	DC48V
	8W	680lm	4000K	112°	B	DC48V

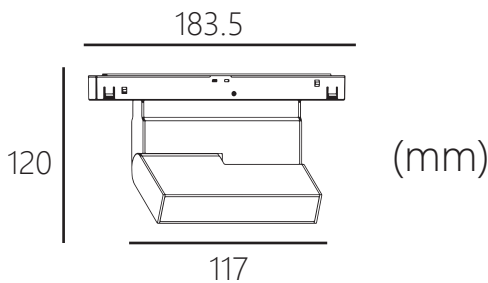
LED | III | **UGR<19** | **IP20** | **CRI>90** | L80B20 >50.000h
 MacAdam Step 3
DIMMABLE
TRACK 48V
15°/24°/38°/60°
90°



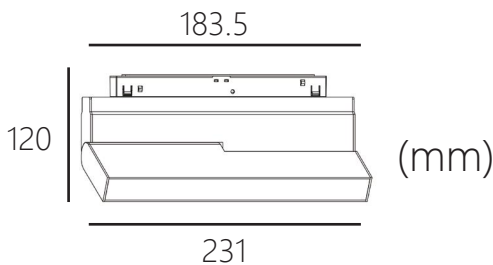
	P	Flux	CCT	Beam	Color	Voltage
MP-R15B	15W	1160lm	2700K	112°	B	DC48V
	15W	1200lm	3000K	112°	B	DC48V
	15W	1240lm	4000K	112°	B	DC48V

LED | III | **UGR<19** | **IP20** | **CRI>90** | L80B20 >50.000h
 MacAdam Step 3
DIMMABLE
TRACK 48V
15°/24°/38°/60°
90°

MP-R08B



MP-R15B



OPTIONS

- 1 No DIM
- 2 DIM DALI
- 3 Bluetooth
- 4 0-10V
- 5 Zigbee
- 6 Tunnable white



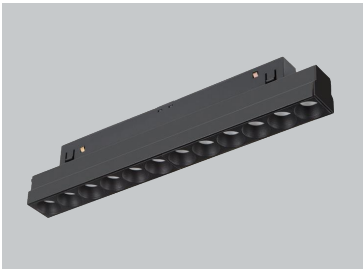
A diagonal strip of 15 illuminated circular lights, possibly LED or halogen, arranged in a line. The lights are glowing with a warm, yellowish-white light. The strip is set against a solid black background. The lights are arranged in a slightly curved line, following the diagonal of the frame.

# Raster L



	P	Flux	CCT	Beam	Color	Voltage
MP-R10F	10W	810lm	2700K	15°/24°/38°	B	DC48V
	10W	840lm	3000K	15°/24°/38°	B	DC48V
	10W	880lm	4000K	15°/24°/38°	B	DC48V

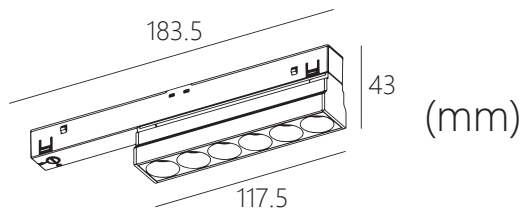
LED | III | **UGR<19** | **IP20** | **CRI>90** | L80B20 >50.000h



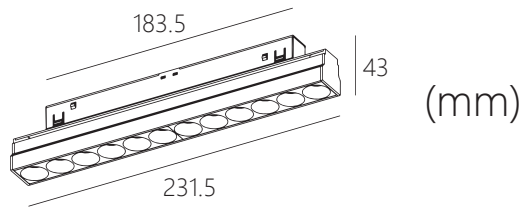
	P	Flux	CCT	Beam	Color	Voltage
MP-R20F	20W	1560lm	2700K	15°/24°/38°	B	DC48V
	20W	1600lm	3000K	15°/24°/38°	B	DC48V
	20W	1640lm	4000K	15°/24°/38°	B	DC48V

LED | III | **UGR<19** | **IP20** | **CRI>90** | L80B20 >50.000h

### MP-R10F



### MP-R20F



### OPTIONS

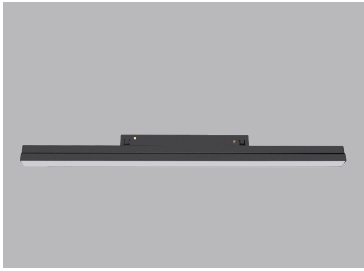
- 1 No DIM
- 2 DIM DALI
- 3 Bluetooth
- 4 0-10V
- 5 Zigbee
- 6 Tunnable white





A long, narrow, glowing light fixture is shown at a diagonal angle against a dark background. The fixture has a bright, warm white light emanating from its center. The text 'Linear L' is positioned to the right of the fixture.

Linear L

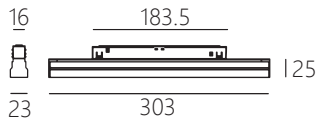


	P	Flux	CCT	Beam	Color	Voltage
MP-L303	10W	810lm	2700K	112°	B	DC48V
	10W	840lm	3000K	112°	B	DC48V
	10W	880lm	4000K	112°	B	DC48V
MP-L603	20W	1610lm	2700K	112°	B	DC48V
	20W	1640lm	3000K	112°	B	DC48V
	20W	1680lm	4000K	112°	B	DC48V
MP-L903	30W	2410lm	2700K	112°	B	DC48V
	30W	2450lm	3000K	112°	B	DC48V
	30W	2500lm	4000K	112°	B	DC48V
MP-L1203	40W	3160lm	2700K	112°	B	DC48V
	40W	3200lm	3000K	112°	B	DC48V
	40W	3240lm	4000K	112°	B	DC48V
MP-L1503	50W	3960lm	2700K	112°	B	DC48V
	50W	4000lm	3000K	112°	B	DC48V
	50W	4040lm	4000K	112°	B	DC48V

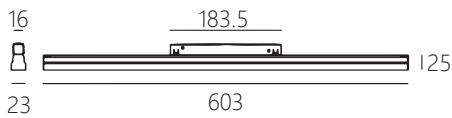
| 
 | 
 UGR<19 | 
 IP20 | 
 CRI>90 | 
 L80B20 >50.000h

| 
 | 
 |

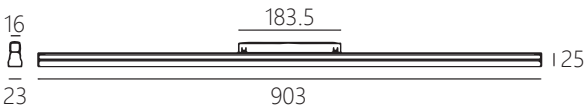
### MP-L303



### MP-L603



### MP-L903



### MP-L1203



### MP-L1503



### OPTIONS

- 1 No DIM
- 2 DIM DALI
- 3 Bluetooth
- 4 0-10V
- 5 Zigbee
- 6 Tunnable white

(mm)



COLOUR | BK  WH  |

MATERIAL | AL |

MPOWER

IES files PLEASE CONSULT



# Raster T



	P	Flux	CCT	Beam	Color	Voltage
MP-RA04	4W	250lm	2700K	22°/36°/45°	B/W	DC48V
	4W	280lm	3000K	22°/36°/45°	B/W	DC48V
	4W	300lm	4000K	22°/36°/45°	B/W	DC48V

LED | III | **UGR<19** | **IP20** | **CRI>90** | **L80B20 >50.000h**

MacAdam Step 3 | DIMMABLE | TRACK 48V | 22°/36°/45° | 90°

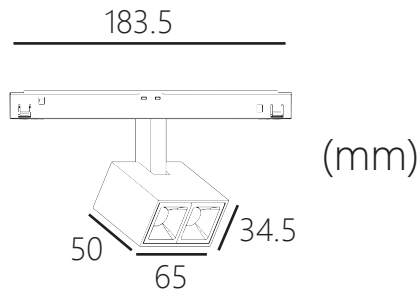


	P	Flux	CCT	Beam	Color	Voltage
MP-RA10	10W	700lm	2700K	22°/36°/45°	B/W	DC48V
	10W	750lm	3000K	22°/36°/45°	B/W	DC48V
	10W	800lm	4000K	22°/36°/45°	B/W	DC48V

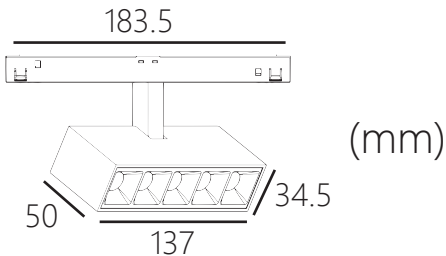
LED | III | **UGR<19** | **IP20** | **CRI>90** | **L80B20 >50.000h**

MacAdam Step 3 | DIMMABLE | TRACK 48V | 22°/36°/45° | 90°

MP-RA04



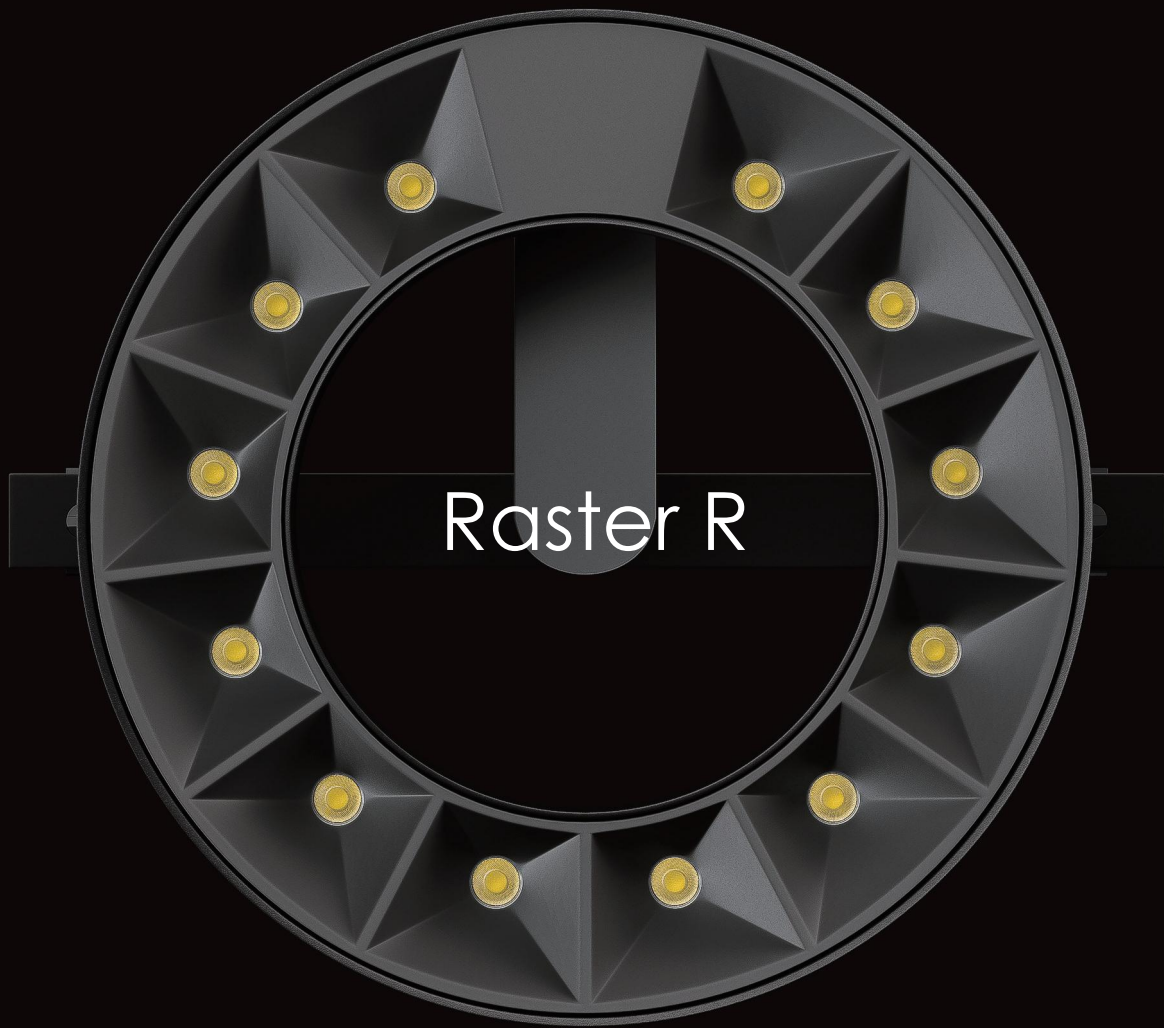
MP-RA10

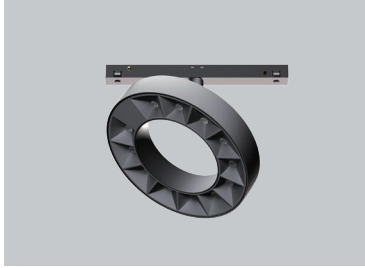


OPTIONS

- 1 No DIM
- 2 DIM DALI
- 3 Bluetooth
- 4 0-10V
- 5 Zigbee
- 6 Tunnable white



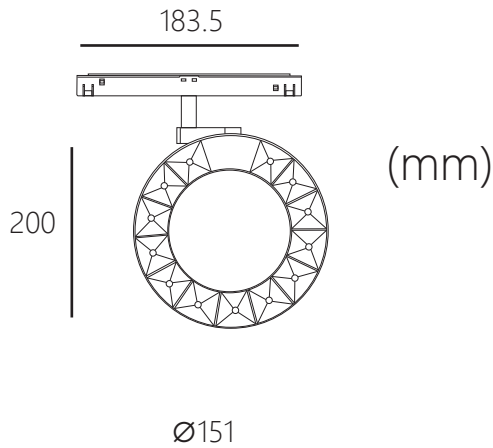




	P	Flux	CCT	Beam	Color	Voltage
MP-RR20	20W	1800lm	2700K	15°/23°/36°/45°/60°	B/W	DC48V
	20W	1840lm	3000K	15°/23°/36°/45°/60°	B/W	DC48V
	20W	1880lm	4000K	15°/23°/36°/45°/60°	B/W	DC48V

LED | III | UGR<19 | IP20 | Ra>87 | L80B20 >50.000h | 
 MacAdam Step 3 | DIMMABLE | TRACK 48V | 15°/23°/36°/45°/60° | 350° | 90°

MP-RR20



OPTIONS

- 1 No DIM
- 2 DIM DALI
- 3 Bluetooth
- 4 0-10V
- 5 Zigbee
- 6 Tunnable white





# Wallwasher

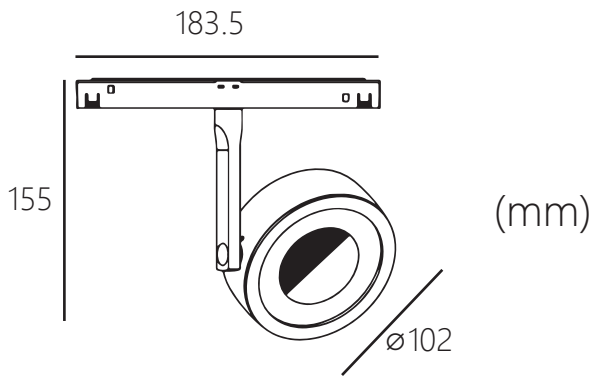


	P	Flux	CCT	Beam	Color	Voltage
MP-T20WW	20W	1600lm	2700K	wall washer	B	DC48V
	20W	1640lm	3000K	wall washer	B	DC48V
	20W	1680lm	4000K	wall washer	B	DC48V

LED | III | UGR<19 | IP20 | CRI>90 | L80B20 >50.000h



MP-T20WW



OPTIONS

- 1 No DIM
- 2 DIM DALI
- 3 Bluetooth
- 4 0-10V
- 5 Zigbee
- 6 Tunnable white







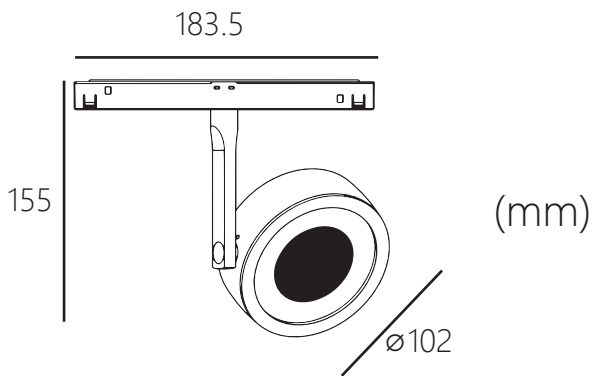
Dawn



	P	Flux	CCT	Beam	Color	Voltage
MP-D20	20W	1600lm	2700K	15°/24°/38°/60°	B/W	DC48V
	20W	1640lm	3000K	15°/24°/38°/60°	B/W	DC48V
	20W	1680lm	4000K	15°/24°/38°/60°	B/W	DC48V

| 
 | 
 UGR<19 | 
 IP20 | 
 CRI>90 | 
 L80B20 >50.000h | 
 | 
 | 
 TRACK 48V | 
 15°/24°/38°/60° | 
 350°

MP-D20



OPTIONS

- 1 No DIM
- 2 DIM DALI
- 3 Bluetooth
- 1 0-10V
- 2 Zigbee
- 3 Tunnable white





FOCUS P





	P	Flux	CCT	Beam	Color	Voltage
MP-SUS10-330	10W	810lm	2700K	15°/24°/36°	B/W/G	DC48V
	10W	840lm	3000K	15°/24°/36°	B/W/G	DC48V
	10W	880lm	4000K	15°/24°/36°	B/W/G	DC48V

| 
 | 
 UGR<19 | 
 IP20 | 
 CRI>90 | 
 L80B20 >50.000h

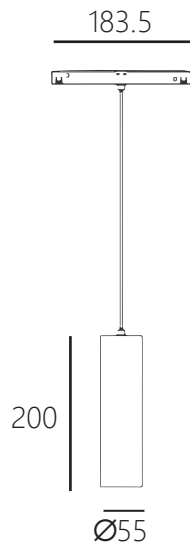
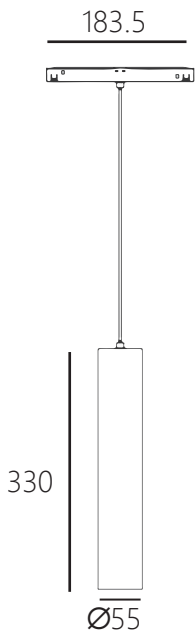


	P	Flux	CCT	Beam	Color	Voltage
MP-SUS12-200	12W	810lm	2700K	15°/24°/36°	B/W/G	DC48V
	12W	840lm	3000K	15°/24°/36°	B/W/G	DC48V
	12W	880lm	4000K	15°/24°/36°	B/W/G	DC48V

| 
 | 
 UGR<19 | 
 IP20 | 
 CRI>90 | 
 L80B20 >50.000h

MP-SUS10-330

MP-SUS12-200



(mm)

OPTIONS

- 1 No DIM
- 2 DIM DALI
- 3 Bluetooth
- 4 0-10V
- 5 Zigbee
- 6 Tunnable white





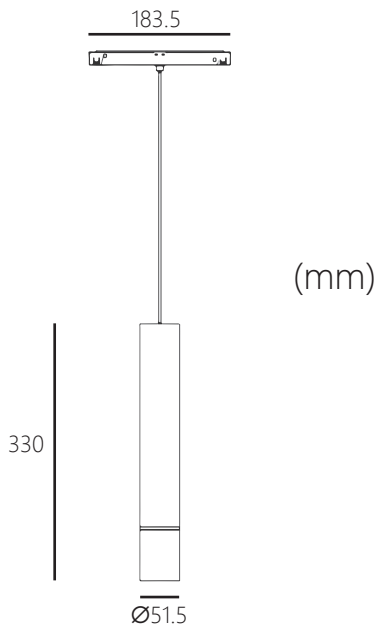
	P	Flux	CCT	Beam	Color	Voltage
MP-SUS10A	10W	810lm	2700K	15°/24°/36°	B/G	DC48V
	10W	840lm	3000K	15°/24°/36°	B/G	DC48V
	10W	880lm	4000K	15°/24°/36°	B/G	DC48V

| 
 | 
 UGR<19 | 
 IP20 | 
 CRI>90 | 
 L80B20 >50.000h

| 
 | 
 |



MP-SUS10A



OPTIONS

- 1 No DIM
- 2 DIM DALI
- 3 Bluetooth
- 4 0-10V
- 5 Zigbee
- 6 Tunnable white





	P	Flux	CCT	Beam	Color	Voltage
MP-SUS15-300	15W	1200lm	2700K	15°/24°/36°	B/G	DC48V
	15W	1250lm	3000K	15°/24°/36°	B/G	DC48V
	15W	1300lm	4000K	15°/24°/36°	B/G	DC48V

| | UGR < 19 | IP20 | CRI > 90 | L80B20 > 50.000h

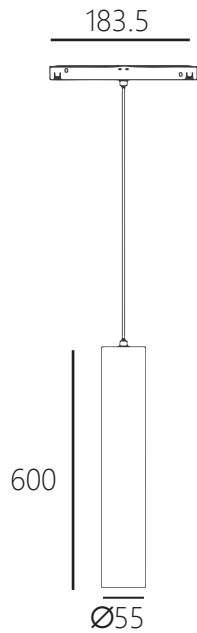
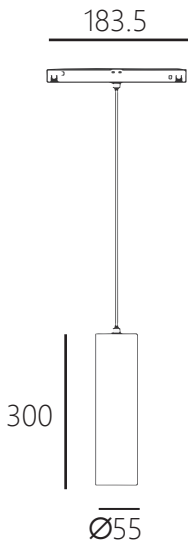


	P	Flux	CCT	Beam	Color	Voltage
MP-SUS10-600	10W	800lm	2700K	15°/24°/36°	W/G	DC48V
	10W	860lm	3000K	15°/24°/36°	W/G	DC48V
	10W	900lm	4000K	15°/24°/36°	W/G	DC48V

| | UGR < 19 | IP20 | CRI > 90 | L80B20 > 50.000h

MP-SUS15-300

MP-SUS10-600



(mm)

OPTIONS

- 1 No DIM
- 2 DIM DALI
- 3 Bluetooth
- 4 0-10V
- 5 Zigbee
- 6 Tunnable white





Ball





	P	Flux	CCT	Beam	Color	Voltage
MP-BALL06	6W	410lm	2700K	150°	B/G	DC48V
	6W	440lm	3000K	150°	B/G	DC48V
	6W	480lm	4000K	150°	B/G	DC48V

LED | III | UGR<19 | IP20 | CRI>90 | L80B20 >50.000h



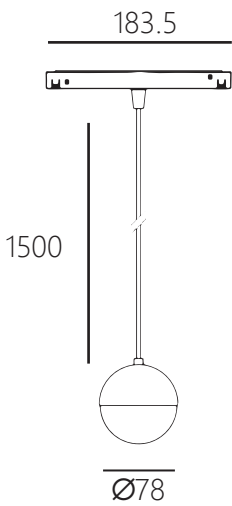
	P	Flux	CCT	Beam	Color	Voltage
MP-BALL10	10W	810lm	2700K	150°	B/G	DC48V
	10W	840lm	3000K	150°	B/G	DC48V
	10W	880lm	4000K	150°	B/G	DC48V

LED | III | UGR<19 | IP20 | CRI>90 | L80B20 >50.000h

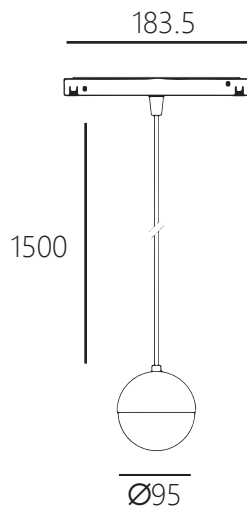


MP-BALL06

MP-BALL10



(mm)



(mm)

OPTIONS

- 1 No DIM
- 2 DIM DALI
- 3 Bluetooth
- 4 0-10V
- 5 Zigbee
- 6 Tunnable white







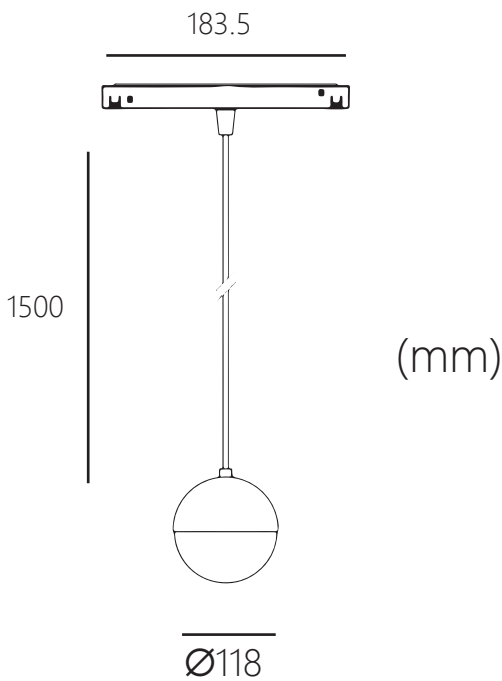


	P	Flux	CCT	Beam	Color	Voltage
MP-BALL12	12W	1010lm	2700K	150°	B/G	DC48V
	12W	1040lm	3000K	150°	B/G	DC48V
	12W	1010lm	4000K	150°	B/G	DC48V

LED | III | UGR<19 | IP20 | CRI>90 | L80B20 >50.000h

MacAdam Step 3 | DIMMABLE | TRACK 48V

MP-BALL12



OPTIONS

- 1 No DIM
- 2 DIM DALI
- 3 Bluetooth
- 4 0-10V
- 5 Zigbee
- 6 Tunnable white





Cap



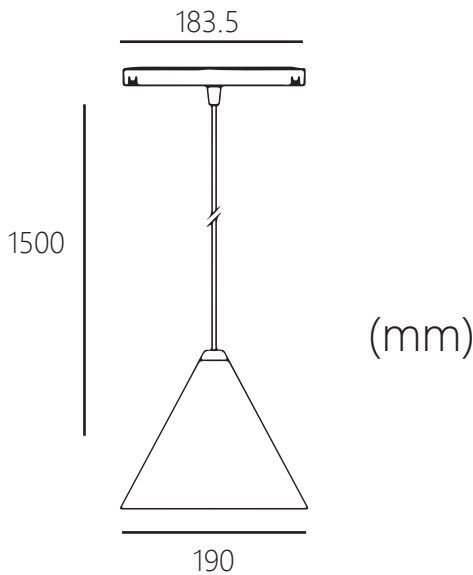
	P	Flux	CCT	Beam	Color	Voltage
MP-CAP20	20W	1610lm	2700K	15°/23°/36°/60°	B	DC48V
	20W	1640lm	3000K	15°/23°/36°/60°	B	DC48V
	20W	1680lm	4000K	15°/23°/36°/60°	B	DC48V



UGR<19 | IP20 | CRI>90 | L80B20 >50.000h



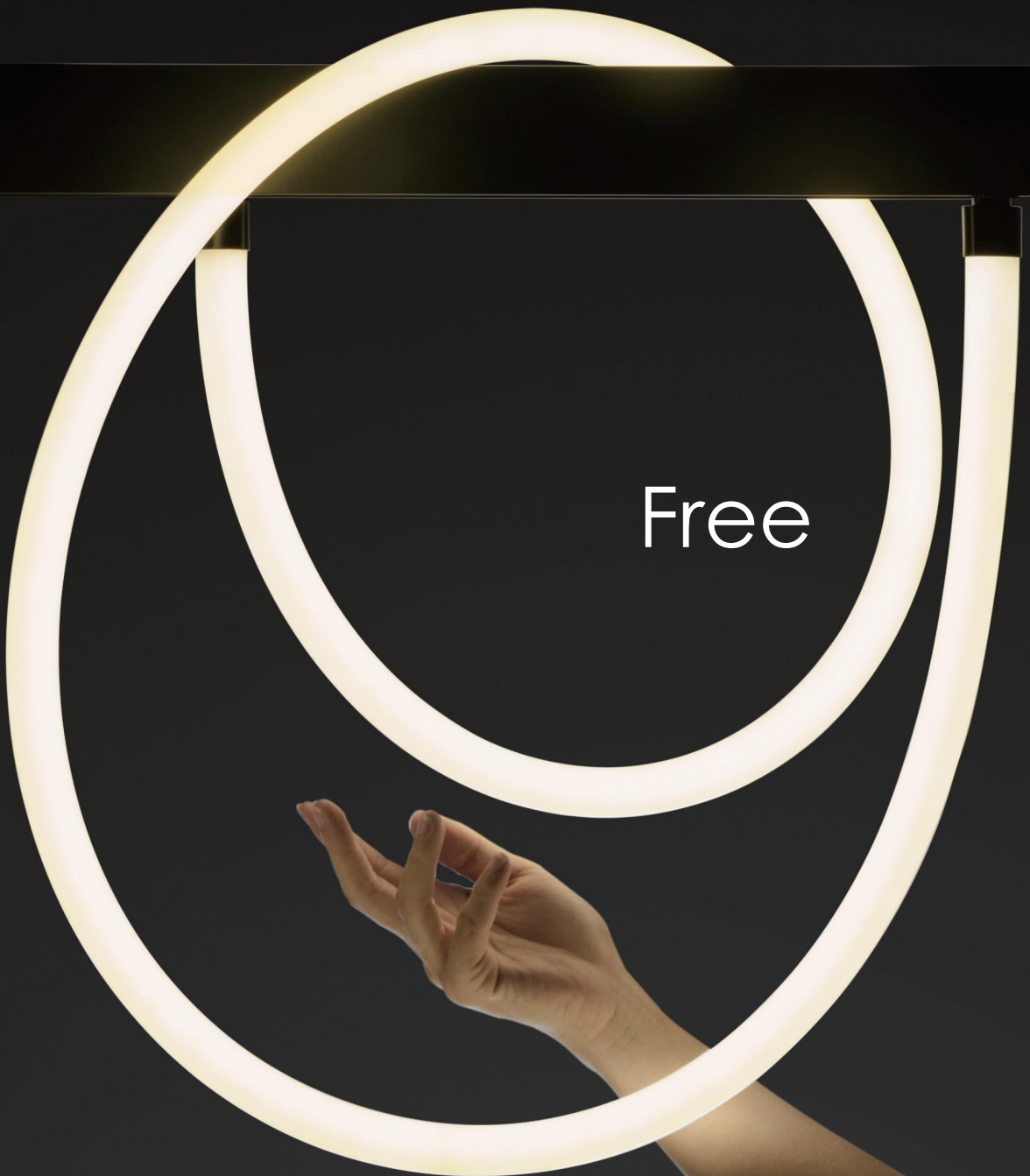
MP-CAP20



OPTIONS

- 1 No DIM
- 2 DIM DALI
- 3 Bluetooth
- 4 0-10V
- 5 Zigbee
- 6 Tunnable white





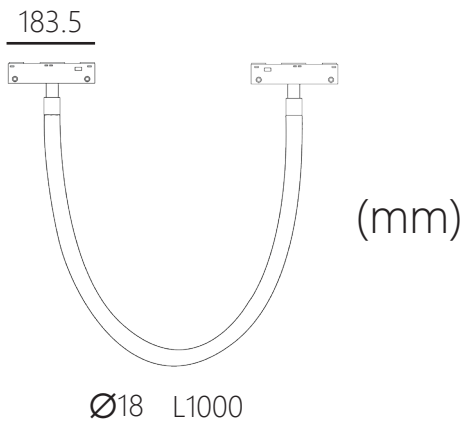


	P	Flux	CCT	Beam	Color	Voltage
MP-FN100	22W	1100lm	2700K	360°	B	DC48V
	22W	1150lm	3000K	360°	B	DC48V
	22W	1180lm	4000K	360°	B	DC48V

OLED | □ | IP20 | Ra > 80 | L80B20 > 50.000h

MacAdam Step 3 | DIMMABLE | TRACK 48V

MP-FN100



OPTIONS

- 1 No DIM
- 2 DIM DALI
- 3 Bluetooth
- 4 0-10V
- 5 Zigbee
- 6 Tunnable white



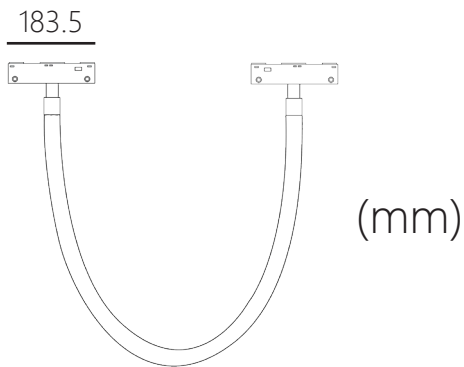


	P	Flux	CCT	Beam	Color	Voltage
MP-FN150	32W	1600lm	2700K	360°	B	DC48V
	32W	1650lm	3000K	360°	B	DC48V
	32W	1680lm	4000K	360°	B	DC48V

OLED |  | IP20 | Ra>80 | L80B20 >50.000h

 MacAdam Step 3 |  DIMMABLE |  TRACK 48V

MP-FN150



Ø18 L1500

OPTIONS

- 1 No DIM
- 2 DIM DALI
- 3 Bluetooth 
- 4 0-10V
- 5 Zigbee
- 6 Tunnable white



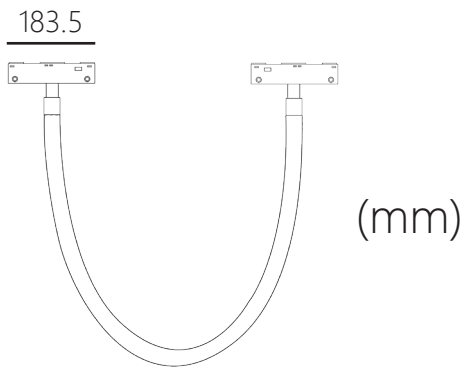


	P	Flux	CCT	Beam	Color	Voltage
MP-FN200	45W	2300lm	2700K	360°	B	DC48V
	45W	2350lm	3000K	360°	B	DC48V
	45W	2380lm	4000K	360°	B	DC48V

OLED | □ | IP20 | Ra>80 | L80B20 >50.000h

MacAdam Step 3 | DIMMABLE | TRACK 48V

MP-FN200



OPTIONS

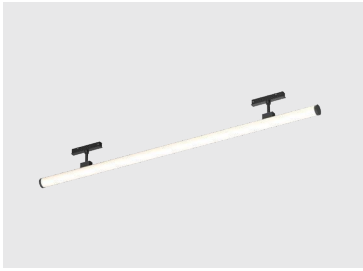
- 1 No DIM
- 2 DIM DALI
- 3 Bluetooth
- 4 0-10V
- 5 Zigbee
- 6 Tunnable white







Tube



	P	Flux	CCT	Beam	Color	Voltage
<b>MP16-TUBE50</b>	12W	940lm	3000K	120°	B	DC48V
	12W	960lm	4000K	120°	B	DC48V
	12W	980lm	5000K	120°	B	DC48V

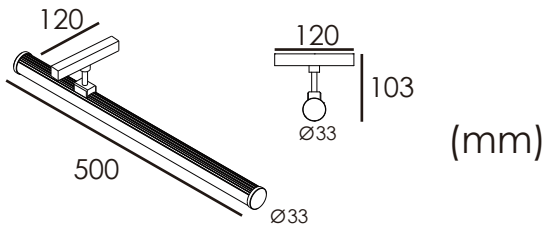
LED | III | UGR<19 | IP20 | CRI>90 | L80B20 >50.000h | 
 MacAdam Step 3 | DIMMABLE | TRACK 48V | 120° | 360°



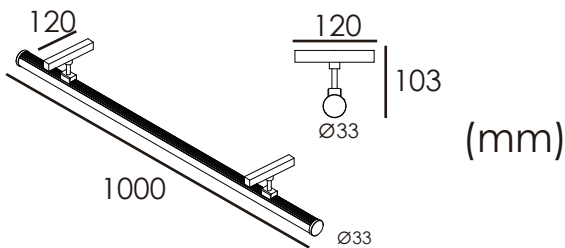
	P	Flux	CCT	Beam	Color	Voltage
<b>MP16-TUBE100</b>	24W	1880lm	3000K	120°	B	DC48V
	24W	1900lm	4000K	120°	B	DC48V
	24W	1920lm	5000K	120°	B	DC48V

LED | III | UGR<19 | IP20 | CRI>90 | L80B20 >50.000h | 
 MacAdam Step 3 | DIMMABLE | TRACK 48V | 120° | 360°

**MP16-TUBE50**



**CY16-TUBE100**

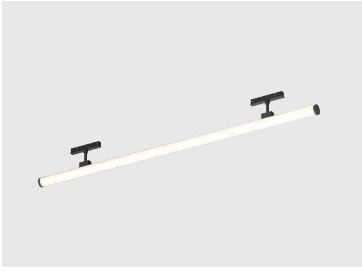


**OPTIONS**

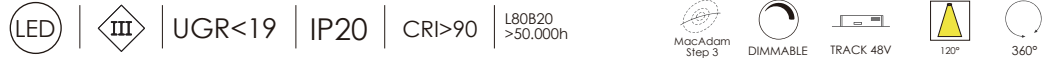
- 1 No DIM
- 2 DIM DALI
- 3 Bluetooth
- 4 0-10V
- 5 Zigbee
- 6 Tunnable white



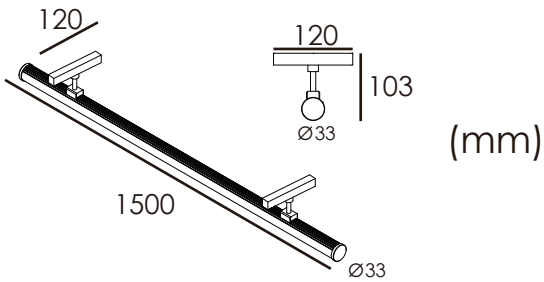




	P	Flux	CCT	Beam	Color	Voltage
<b>MP16-TUBE120</b>	36W	2820lm	3000K	120°	B	DC48V
	36W	2840lm	4000K	120°	B	DC48V
	36W	2860lm	5000K	120°	B	DC48V



**MP16-TUBE120**



**OPTIONS**

- 1 No DIM
- 2 DIM DALI
- 3 Bluetooth
- 4 0-10V
- 5 Zigbee
- 6 Tunnable white





Moon



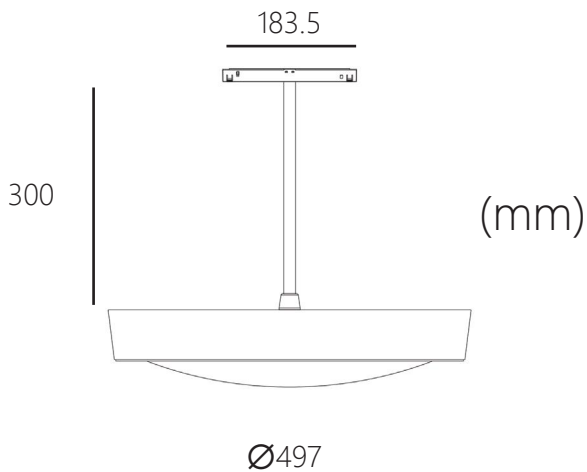
	P	Flux	CCT	Beam	Color	Voltage
MP-MOON30	30W	2400lm	2700K	360°	B/W	DC48V
	30W	2450lm	3000K	360°	B/W	DC48V
	30W	2480lm	4000K	360°	B/W	DC48V

LED | III | UGR<19 | IP20 | CRI>90 | L80B20 >50.000h

MacAdam Step 3 | DIMMABLE | TRACK 48V

MP-MOON30

OPTIONS



- 1 No DIM
- 2 DIM DALI
- 3 Bluetooth
- 4 0-10V
- 5 Zigbee
- 6 Tunnable white





# Kaleidoscope

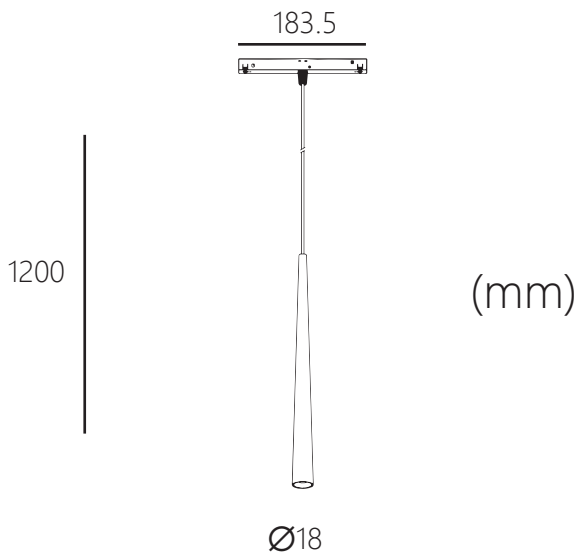


	P	Flux	CCT	Beam	Color	Voltage
MP-GY03	3W	180lm	2700K	18°/22°/32°	B/W/G	DC48V
	3W	200lm	3000K	18°/22°/32°	B/W/G	DC48V
	3W	220lm	4000K	18°/22°/32°	B/W/G	DC48V

LED | III | UGR < 19 | IP20 | CRI > 90 | L80B20 > 50,000h



MP-GY03



OPTIONS

- 1 No DIM
- 2 DIM DALI
- 3 Bluetooth
- 4 0-10V
- 5 Zigbee
- 6 Tunnable white







Cone

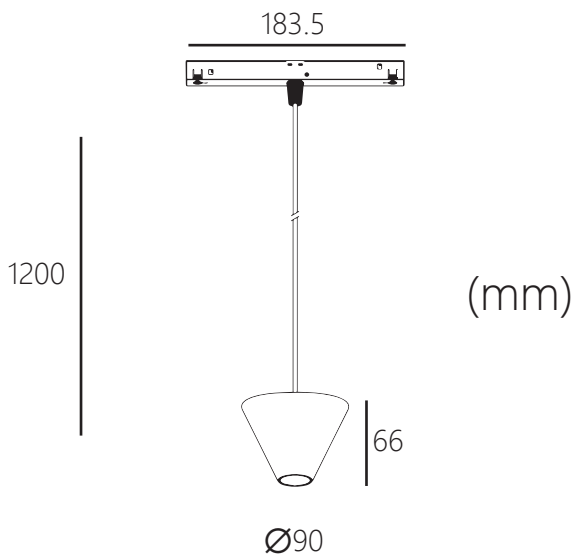


	P	Flux	CCT	Beam	Color	Voltage
MP-GY08	8W	640lm	2700K	19°/23°/32°	B/W/G	DC48V
	8W	670lm	3000K	19°/23°/32°	B/W/G	DC48V
	8W	700lm	4000K	19°/23°/32°	B/W/G	DC48V

LED | III | UGR < 19 | IP20 | CRI > 90 | L80B20 > 50.000h



MP-GY08



OPTIONS

- 1 No DIM
- 2 DIM DALI
- 3 Bluetooth
- 4 0-10V
- 5 Zigbee
- 6 Tunnable white





Globe

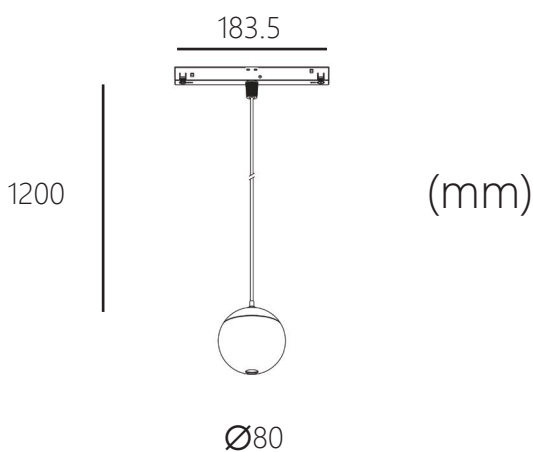


	P	Flux	CCT	Beam	Color	Voltage
MP-BALL08	8W	640lm	2700K	27°/37°	B/W	DC48V
	8W	670lm	3000K	27°/37°	B/W	DC48V
	8W	700lm	4000K	27°/37°	B/W	DC48V

LED | III | UGR < 19 | IP20 | CRI > 90 | L80B20 > 50.000h



MP-BALL08



OPTIONS

- 1 No DIM
- 2 DIM DALI
- 3 Bluetooth
- 4 0-10V
- 5 Zigbee
- 6 Tunnable white





# SHARP





Sharp is a slim and clean LED track light that will fit smoothly into any retail and gallery environments , with built-in driver and high lumen efficiency from 85lm/w to 95lm/w.Can be dressed in honeycomb filter and cross louvre to enhance the visual quality, reduce glare. The head can be adjusted precisely 360° + horizontal (rotation) without dead angle and 90° vertical. The light,as a result, is emitted exactly where you need it.











High Performance Accent Lighting



	P	Flux	CCT	Beam	Color	mA
SHA15	15W	1300lm	2700K	15°/24°/38°/60°	B/W	350mA
	15W	1350lm	3000K	15°/24°/38°/60°	B/W	350mA
	15W	1450lm	4000K	15°/24°/38°/60°	B/W	350mA

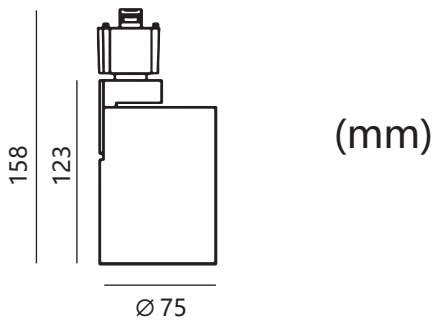
LED | UGR<19 | IP20 | Ra>90 | L80B20 >50.000h



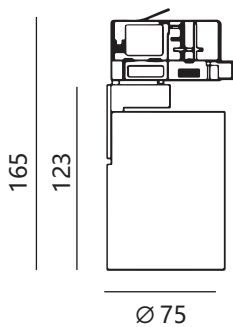
Accessories



SHA15



3-pin track adaptor



4-pin track adaptor

OPTIONS

- 1 No DIM
- 2 DIM DALI
- 3 Bluetooth
- 4 0-10V
- 5 TRIAC







	P	Flux	CCT	Beam	Color	mA
SHA20	20W	1700lm	2700K	15°/24°/38°/60°	B/W	500mA
	20W	1800lm	3000K	15°/24°/38°/60°	B/W	500mA
	20W	1900lm	4000K	15°/24°/38°/60°	B/W	500mA

LED | UGR<19 | IP20 | Ra>90 | L80B20 >50.000h
 MacAdam Step 3
DIMMABLE
15°/24°/38°/60°
350°
90°



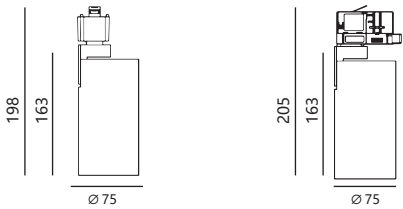
	P	Flux	CCT	Beam	Color	mA
SHA30	30W	2550lm	2700K	15°/24°/38°/60°	B/W	700mA
	30W	2700lm	3000K	15°/24°/38°/60°	B/W	700mA
	30W	2900lm	4000K	15°/24°/38°/60°	B/W	700mA

LED | UGR<19 | IP20 | Ra>90 | L80B20 >50.000h
 MacAdam Step 3
DIMMABLE
15°/24°/38°/60°
350°
90°

Accessories



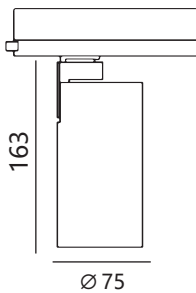
SHA20



3-pin track adaptor      4-pin track adaptor

(mm)

SHA30



3-pin track adaptor/4-pin track adaptor

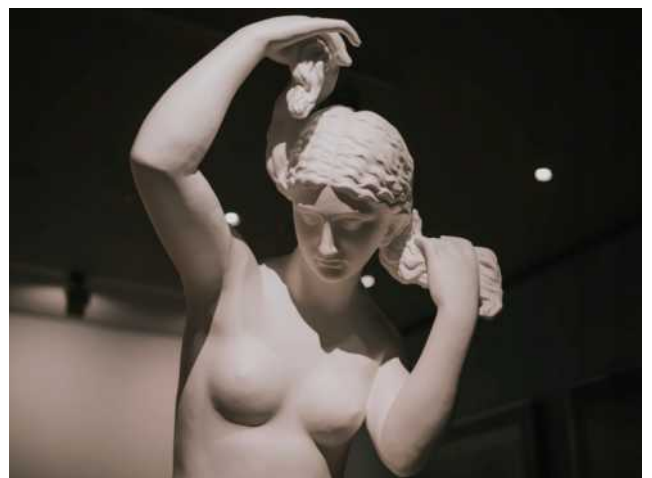
OPTIONS

- 1 No DIM
- 2 DIM DALI
- 3 Bluetooth
- 4 0-10V
- 5 TRIAC





## SHARP BEAMING





Dim on board



Barn-door



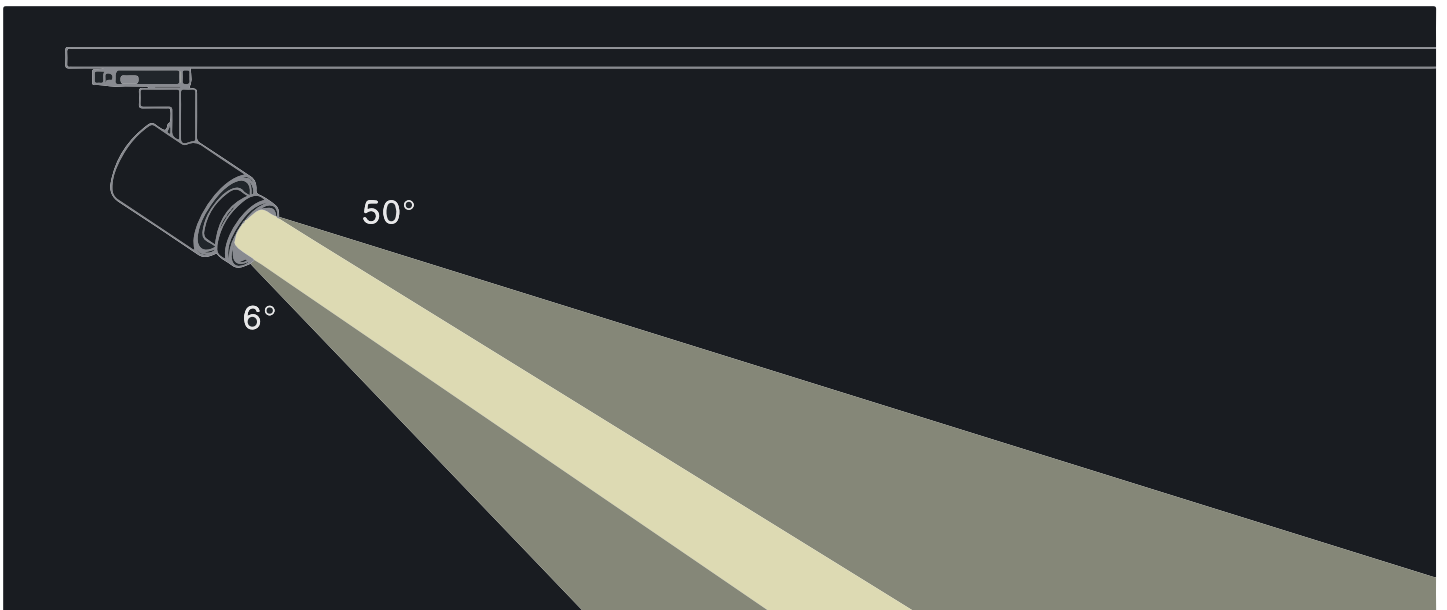
Angle adjusted





## Lighting Solutions

Beam angle adjustable from 6° to 50°





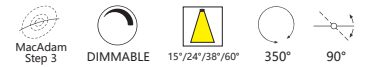
	P	Flux	CCT	Beam	Color	mA
SHA-BEA10	10W	300-500lm	2700K	6°-50°/10°-50°	B/W	700mA
	10W	300-500lm	3000K	6°-50°/10°-50°	B/W	700mA
	10W	300-500lm	4000K	6°-50°/10°-50°	B/W	700mA

LED | UGR<19 | IP20 | Ra>90 | L80B20 >50.000h



	P	Flux	CCT	Beam	Color	mA
SHA-BEA15	15W	600-1200lm	2700K	6°-50°/10°-50°	B/W	250mA
	15W	600-1200lm	3000K	6°-50°/10°-50°	B/W	250mA
	15W	600-1200lm	4000K	6°-50°/10°-50°	B/W	250mA

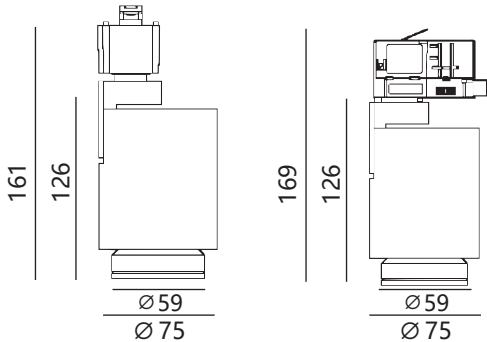
LED | UGR<19 | IP20 | Ra>90 | L80B20 >50.000h



## Optical Accessories

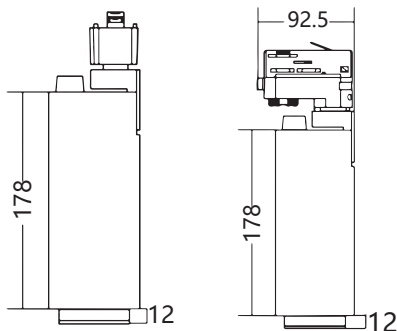


### SHA-BEA10



3-pin track adaptor    4-pin track adaptor (mm)

### SHA-BEA15



3-pin track adaptor    4-pin track adaptor (mm)

### OPTIONS

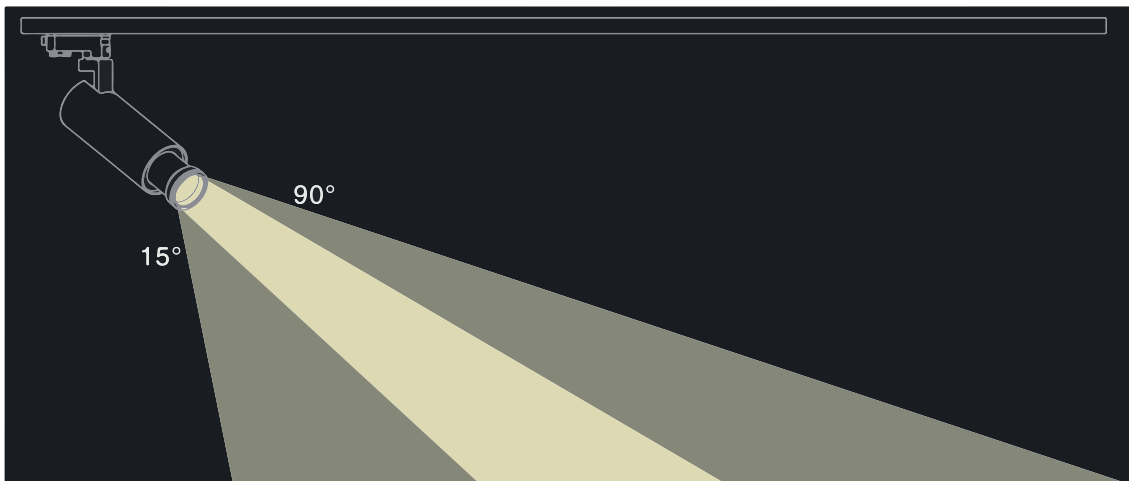
- 1 No DIM
- 2 DIM DALI
- 3 Bluetooth
- 4 0-10V
- 5 TRIAC



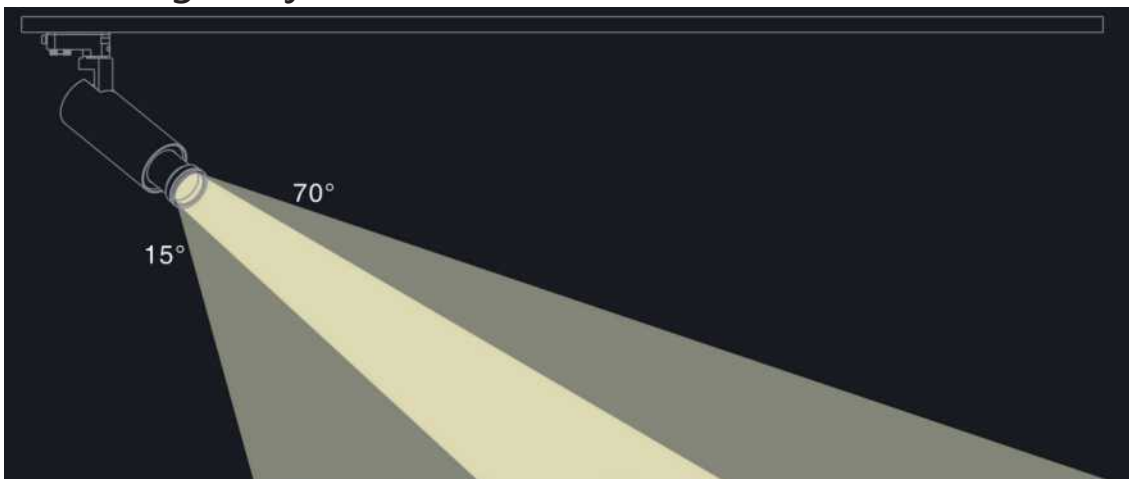


## Lighting Solutions

Beam angle adjustable from  $15^\circ$  to  $90^\circ$  with sharp outlines



Beam angle adjustable from  $15^\circ$  to  $70^\circ$  with soft outlines





	P	Flux	CCT	Beam	Color	mA
SHA-BEA20	20W	700-1800lm	2700K	15°-70°/15-90°	B/W	500mA
	20W	700-1800lm	3000K	15°-70°/15-90°	B/W	500mA
	20W	700-1800lm	4000K	15°-70°/15-90°	B/W	500mA

LED | UGR<19 | IP20 | Ra>90 | L80B20 >50.000h
 MacAdam Step 3
DIMMABLE
15°/24°/38°/60°
350°
90°



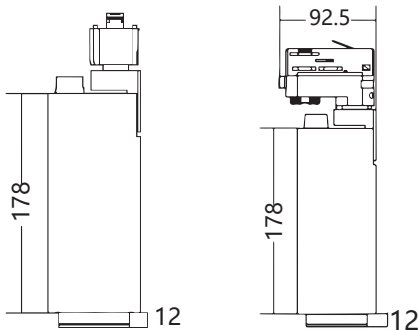
	P	Flux	CCT	Beam	Color	mA
SHA-BEA30	30W	1000-2400lm	2700K	15°-70°/15-90°	B/W	700mA
	30W	1000-2400lm	3000K	15°-70°/15-90°	B/W	700mA
	30W	1000-2400lm	4000K	15°-70°/15-90°	B/W	700mA

LED | UGR<19 | IP20 | Ra>90 | L80B20 >50.000h
 MacAdam Step 3
DIMMABLE
15°/24°/38°/60°
350°
90°

## Optical Accessories

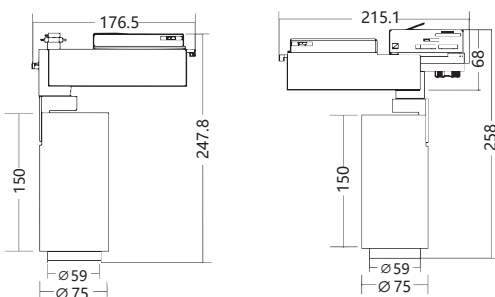


### SHA-BEA20



3-pin track adaptor    4-pin track adaptor (mm)

### SHA-BEA30



3-pin track adaptor    4-pin track adaptor (mm)

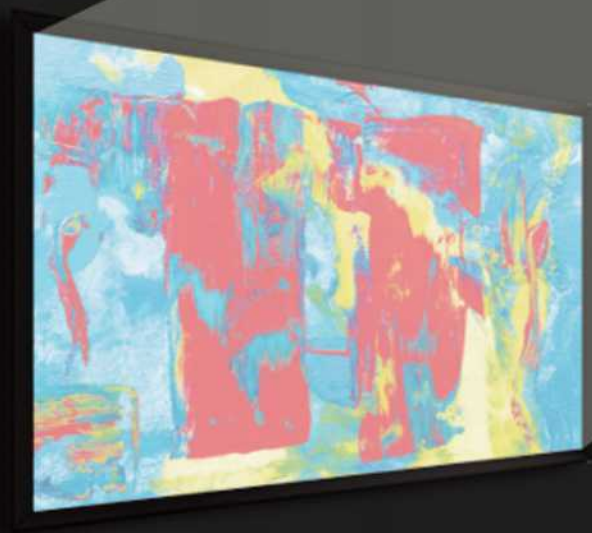
### OPTIONS

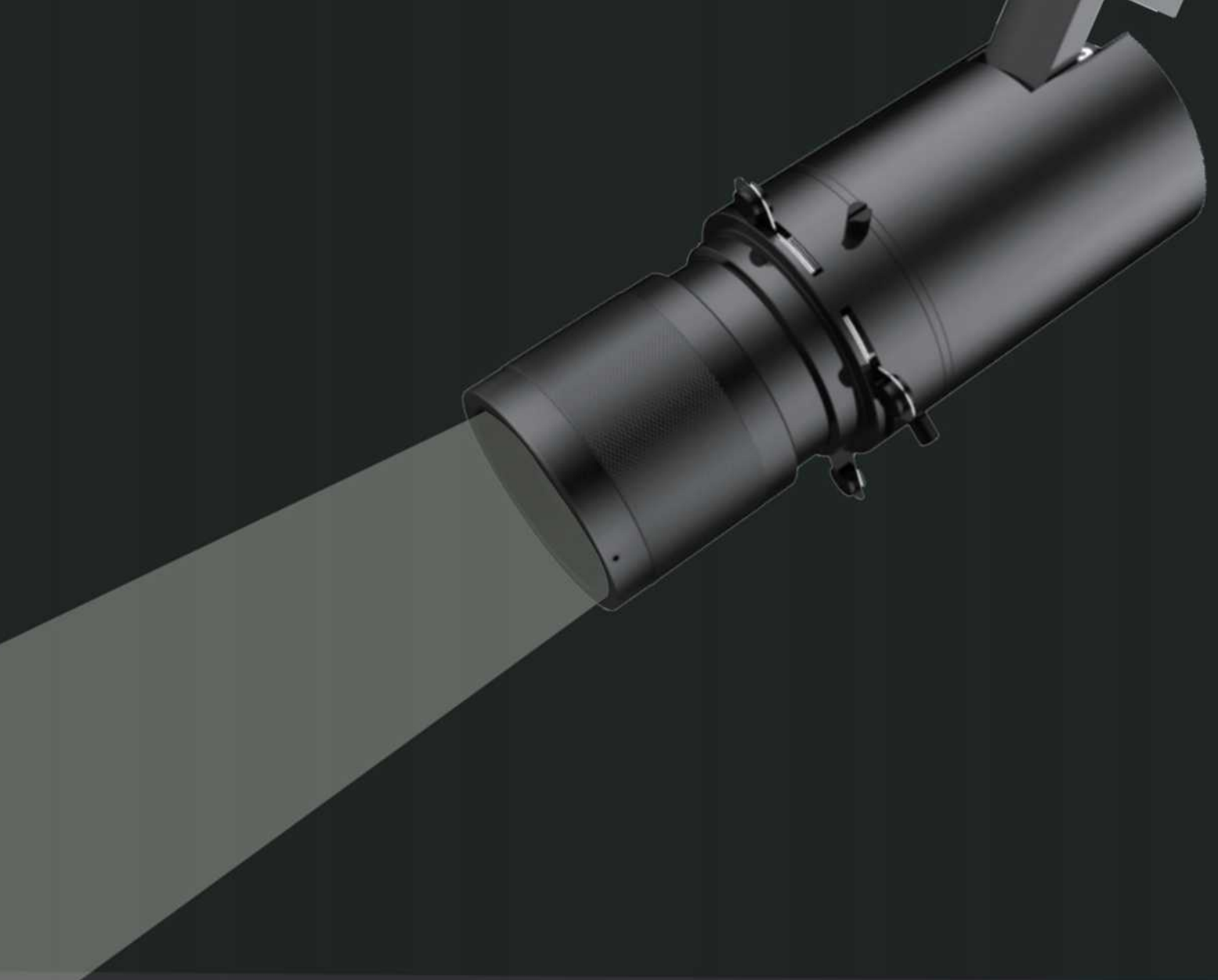
- 1 No DIM
- 2 DIM DALI
- 3 Bluetooth
- 4 0-10V
- 5 TRIAC



# SHARP PROJECTOR

SHARP PROJECTOR is a slim and functional LED track light that will fit smoothly into optimum accurate lighting for museums, exhibitions, art galleries and sales and showroom areas. Featuring a group of precision optical lens and framing patterns mechanism designed to provide sharp edged, high-contrast square & triangle light shapes, logo projection is also available. The head can be adjusted precisely 360+ horizontal(rotation) and 90 vertical without dead angle. The light, as a result, is emitted exactly where you need it.





UGR<6

No Spilt Light

No StrayLight

Pure style exhibitions need dark environment in order to get all attentions focus on the exhibits(pictures). SHARP-Projector maximumly collect the light beam, cooperating with precisely designed optical system and precision optical lens, fully control the lights, achieve optimized light distribution with UGR<6, plus no spilt light and no stray light.



Condenser lens

LOGO/Filter



### Clear or Soft Outline

Rotate it to change the sharpness of the light outline



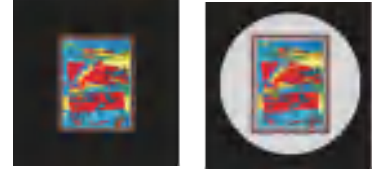
### Iris diaphragm

The iris diaphragm controls the light beam for circular illustrations.

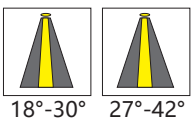


### Framing blades

The framing blades controls the light beam for square / rectangular illustrations



Zoomable 18°-30° or 27°-42°  
Push in & pull out the cylinder to change the light beam from 18° to 30° or 27° to 42°.







Sharp projector designed for high-end museum&gallery, creat sharp-focus and soft-focus on the art works.

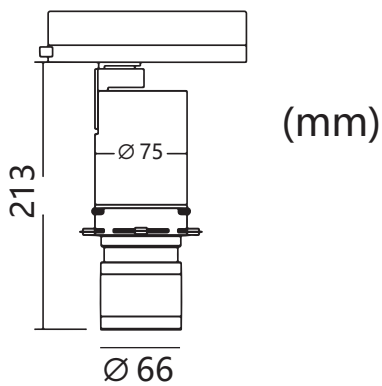


	P	Flux	CCT	Beam	Color	mA
SHA-PRO20	20W	700lm	2700K	18°-30°/27-42°	B/W	500mA
	20W	700lm	3000K	18°-30°/27-42°	B/W	500mA
	20W	700lm	4000K	18°-30°/27-42°	B/W	500mA

LED | UGR<6 | IP20 | Ra>90 | L80B20 >50.000h



## SHA-PRO20



3-pin track adaptor/4-pin track adaptor

### LOGO Filter



### Colour Filter



### OPTIONS

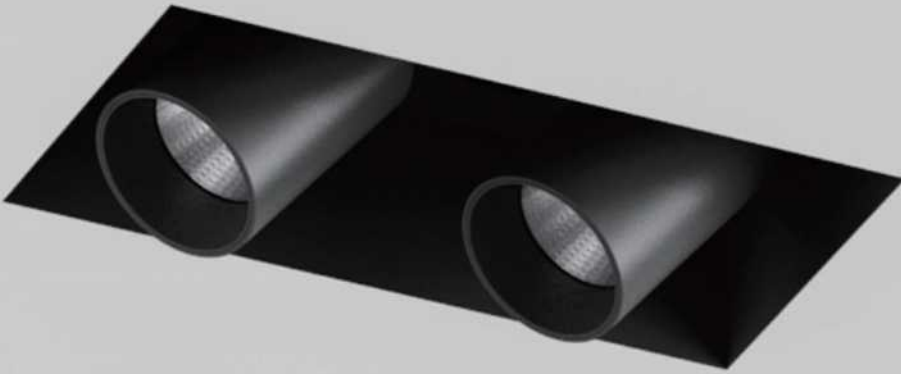
- 1 No DIM
- 2 DIM DALI
- 3 Bluetooth
- 4 0-10V
- 5 TRIAC







# HILIGHT



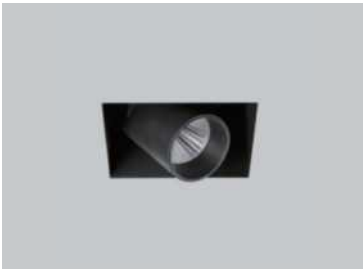




	P	Flux	CCT	Beam	Color	mA
HIL-120	20W	1500lm	2700K	15°/23°/36°	WB	500mA
	20W	1550lm	3000K	15°/23°/36°	WB	500mA
	20W	1600lm	4000K	15°/25°/36°	WB	500mA

LED | UGR < 19 | IP20 | RA > 90 | Rf > 90 | Rg > 90 | 110-130V | 220-240V | L80B20 | > 50.000h

MacAdam Step 3 | DIMMABLE | 15°/23°/36° | Adjustable

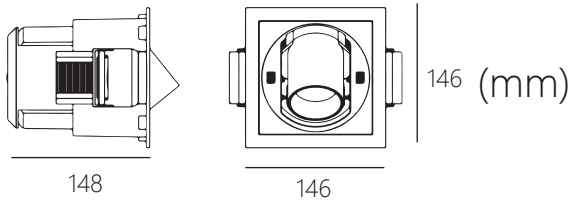


	P	Flux	CCT	Beam	Color	mA
HIL-T120	20W	1500lm	2700K	15°/23°/36°	WB	500mA
	20W	1550lm	3000K	15°/23°/36°	WB	500mA
	20W	1600lm	4000K	15°/25°/36°	WB	500mA

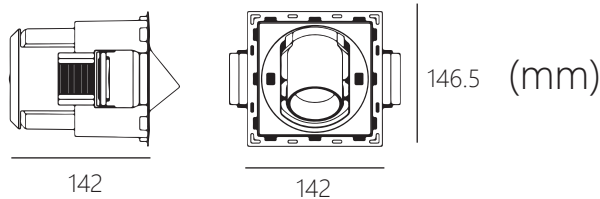
LED | UGR < 19 | IP20 | RA > 90 | Rf > 90 | Rg > 90 | 110-130V | 220-240V | L80B20 | > 50.000h

MacAdam Step 3 | DIMMABLE | 15°/23°/36° | Adjustable

## HIL-120



## HIL-T120



### OPTIONS

- 1 No DIM
- 2 DIM DALI
- 3 Bluetooth
- 4 0-10V
- 5 TRIAC

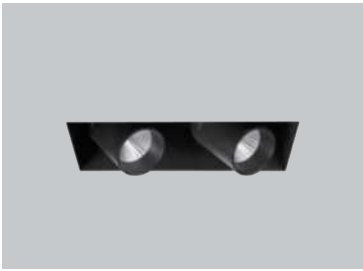




	P	Flux	CCT	Beam	Color	mA
HIL-220	2*20W	2*1610lm	2700K	15°/23°/36°	WB	500mA
	2*20W	2*1640lm	3000K	15°/23°/36°	WB	500mA
	2*20W	2*1680lm	4000K	15°/25°/36°	WB	500mA

LED | UGR < 19 | IP20 | RA > 90 | Rf > 90 | Rg > 90 | 110-130V | 220-240V | L80B20 | > 50.000h

MacAdam Step 3 | DIMMABLE | 15°/23°/36° | Adjustable

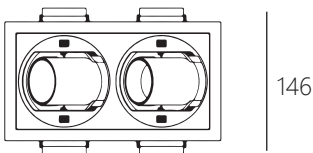
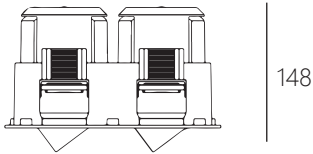


	P	Flux	CCT	Beam	Color	mA
HIL-T220	2*20W	2*1610lm	2700K	15°/23°/36°	WB	500mA
	2*20W	2*1640lm	3000K	15°/23°/36°	WB	500mA
	2*20W	2*1680lm	4000K	15°/25°/36°	WB	500mA

LED | UGR < 19 | IP20 | RA > 90 | Rf > 90 | Rg > 90 | 110-130V | 220-240V | L80B20 | > 50.000h

MacAdam Step 3 | DIMMABLE | 15°/23°/36° | Adjustable

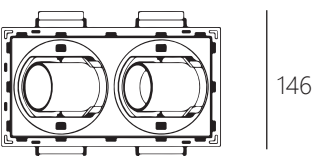
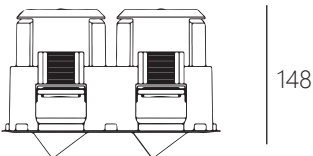
## HIL-220



265.5

(mm)

## HIL-T220



265.5

(mm)

### OPTIONS

- 1 No DIM
- 2 DIM DALI
- 3 Bluetooth
- 4 0-10V
- 5 TRIAC







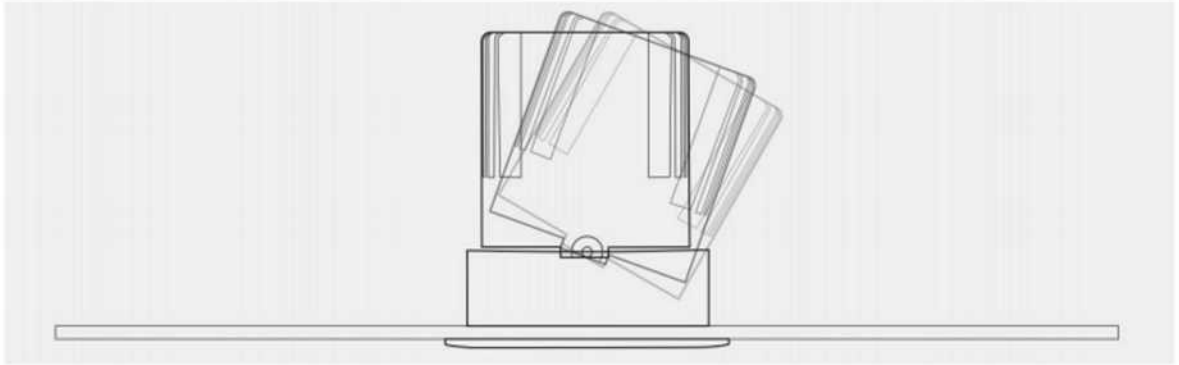


# CHOPIN

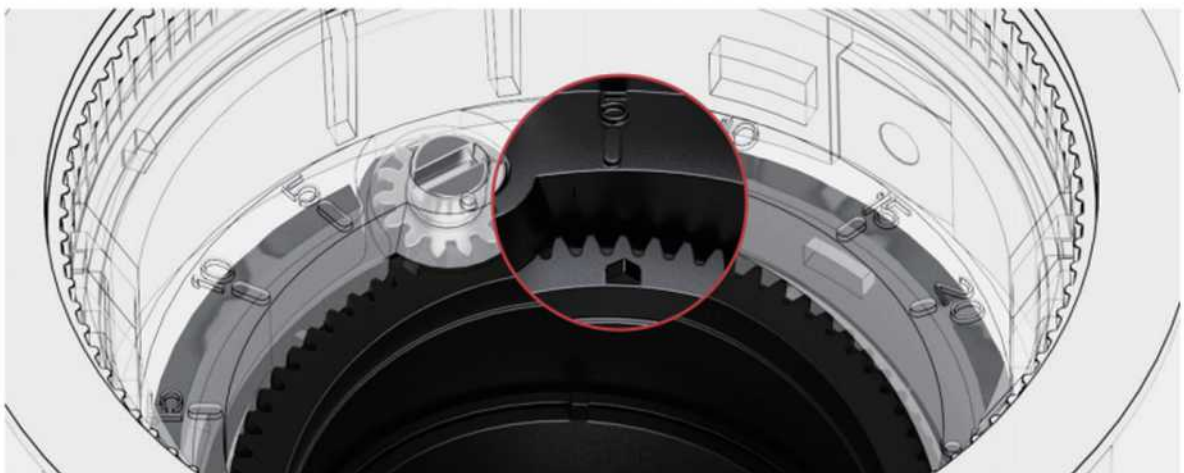
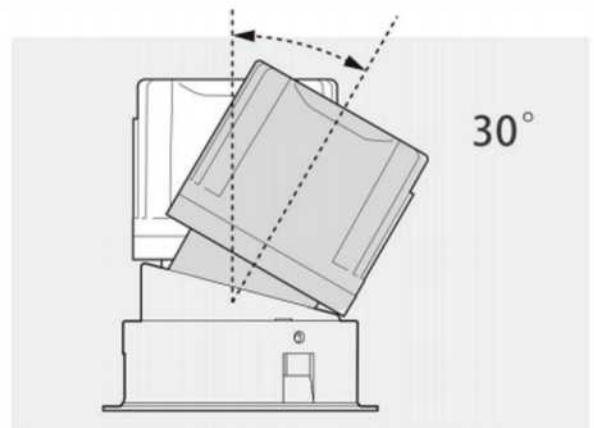
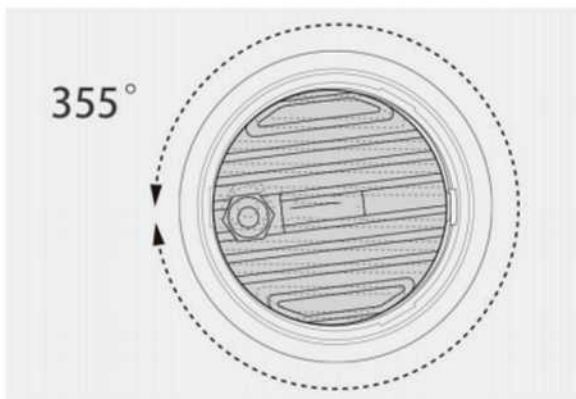


## ASYMMETRIC GEAR

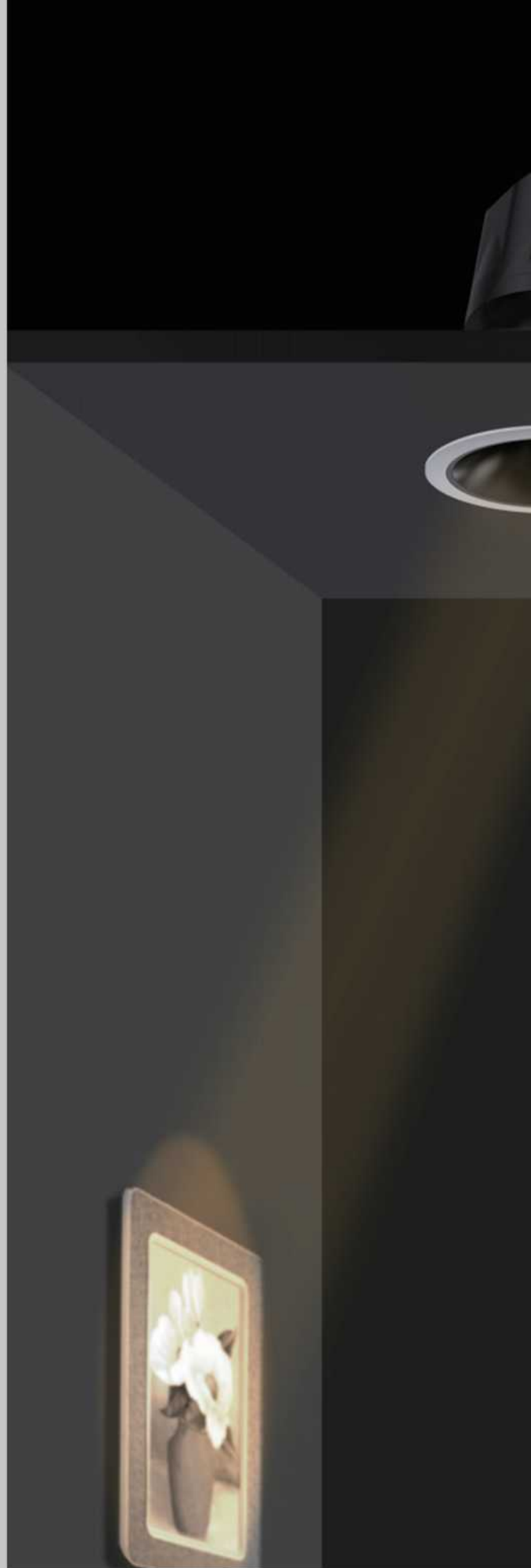
ADJUSTMENT TECHNOLOGY To provide a solution to precise adjustment of light-emitting angles



The central axis rotating structure of ordinary adjustable spotlights makes it difficult to accurately adjust the angle and requiring multiple adjustments.



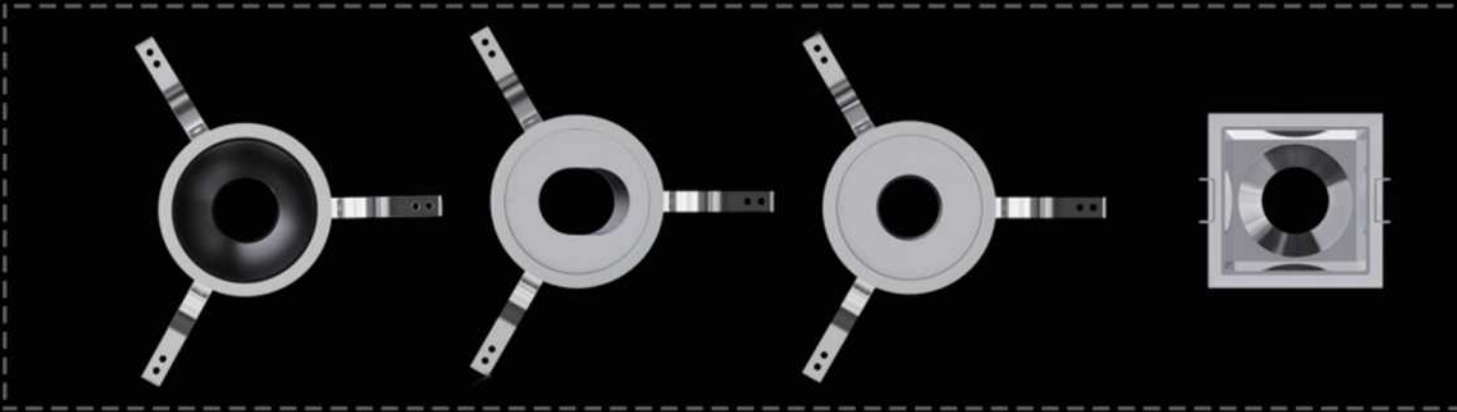
A ruler and corresponding point inside to accurately determine lightemitting angles.





## MORE ACCURATE ALIGNMENT

**Chopin** can accurately adjust the corresponding angle according to diversified objects to represent the best lighting effect.



Cover panel

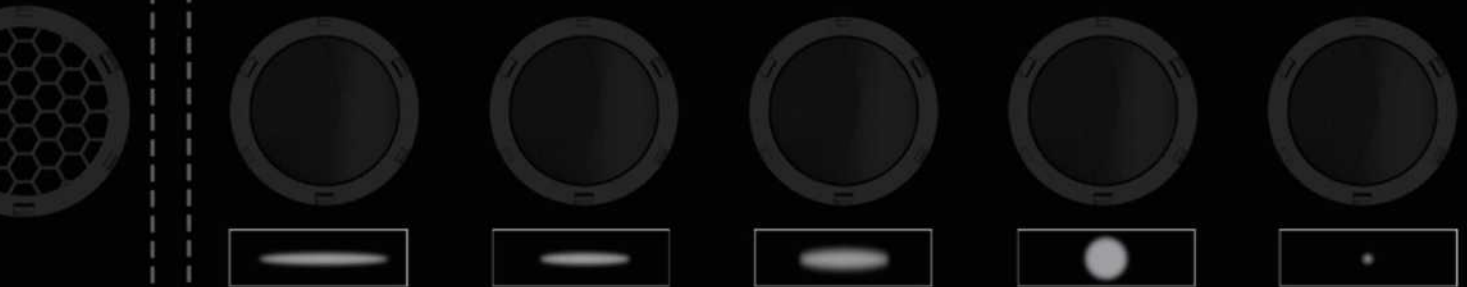
Gear





Accessories

Lens with various light shapes





A variety of beam angles of **8°**、**18°**、**28°**、**38°**、**50°** are available to meet various space lighting needs.



8°



18°



28°

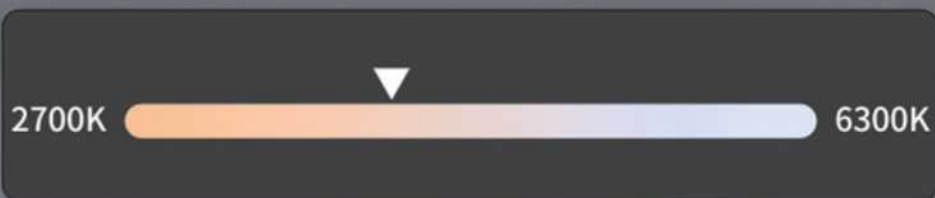


38°



50°

Chopin can co



# INTELLIGENT CONTROL

Control color temperature and brightness through the app.





# CHOPIN



	P	Flux	CCT	Beam	Color	mA
CHO-R15	Max15W	900lm	2700K	8°/18°/28°/38°/50°	WB	200-350mA
	Max15W	950lm	3000K	8°/18°/28°/38°/50°	WB	200-350mA
	Max15W	1000lm	4000K	8°/18°/28°/38°/50°	WB	200-350mA

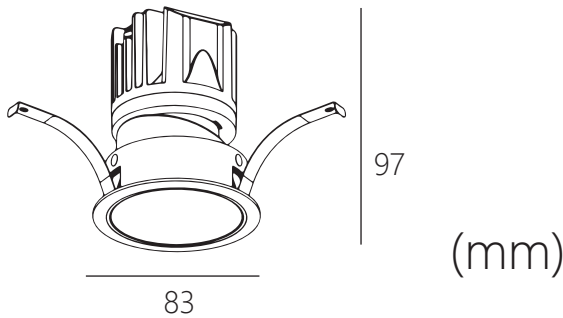
LED | UGR<10 | IP20 IP65 | RA>90 R9>50 | Rf>90 Rg>90 | 110-130V 220-240V | L80B20 >50.000h | 
 MacAdam Step 3 | DIMMABLE | 8°/18°/28°/38°/50° | Adjustable



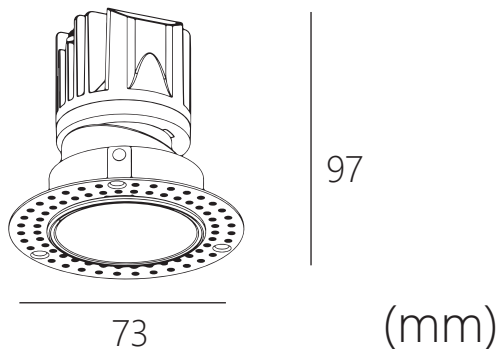
	P	Flux	CCT	Beam	Color	mA
CHO-R15T	Max15W	900lm	2700K	8°/18°/28°/38°/50°	WB	200-350mA
	Max15W	950lm	3000K	8°/18°/28°/38°/50°	WB	200-350mA
	Max15W	1000lm	4000K	8°/18°/28°/38°/50°	WB	200-350mA

LED | UGR<10 | IP20 IP65 | RA>90 R9>50 | Rf>90 Rg>90 | 110-130V 220-240V | L80B20 >50.000h | 
 MacAdam Step 3 | DIMMABLE | 8°/18°/28°/38°/50° | Adjustable

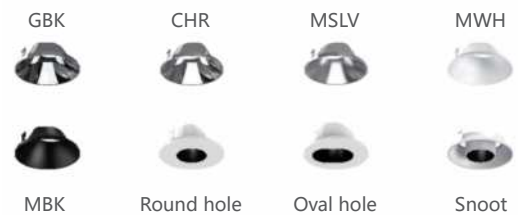
CHO-R15



CHO-R15T



### Optical Accessories



### OPTIONS

- 1 No DIM
- 2 DIM DALI
- 3 Bluetooth
- 4 0-10V
- 5 TRIAC
- 6 ZIGBEE





	P	Flux	CCT	Beam	Color	mA
CHO-S115	Max15W	900lm	2700K	8°/18°/28°/38°/50°	WB	200-350mA
	Max15W	950lm	3000K	8°/18°/28°/38°/50°	WB	200-350mA
	Max15W	1000lm	4000K	8°/18°/28°/38°/50°	WB	200-350mA

LED | UGR<10 | IP20 IP65 | RA>90 R9>50 | Rf>90 Rg>90 | 110-130V 220-240V | L80B20 >50.000h | 
 MacAdam Step 3 | DIMMABLE | 8°/18°/28°/38°/50° | Adjustable



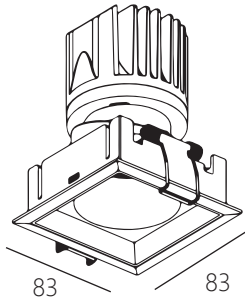
	P	Flux	CCT	Beam	Color	mA
CHO-S115T	Max15W	900lm	2700K	8°/18°/28°/38°/50°	WB	200-350mA
	Max15W	950lm	3000K	8°/18°/28°/38°/50°	WB	200-350mA
	Max15W	1000lm	4000K	8°/18°/28°/38°/50°	WB	200-350mA

LED | UGR<10 | IP20 IP65 | RA>90 R9>50 | Rf>90 Rg>90 | 110-130V 220-240V | L80B20 >50.000h | 
 MacAdam Step 3 | DIMMABLE | 8°/18°/28°/38°/50° | Adjustable

### Optical Accessories

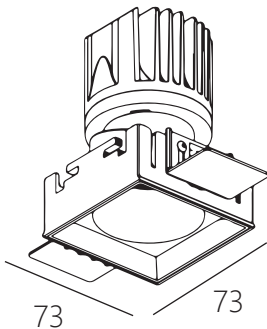


CHO-S115



105  
(mm)

CHO-S115T



105  
(mm)

### OPTIONS

- 1 No DIM
- 2 DIM DALI
- 3 Bluetooth
- 4 0-10V
- 5 TRIAC
- 6 ZIGBEE









	P	Flux	CCT	Beam	Color	mA
CHO-S215	2*Max15W	2*Max900lm	2700K	8°/18°/28°/38°/50°	WB	200-350mA
	2*Max15W	2*Max950lm	3000K	8°/18°/28°/38°/50°	WB	200-350mA
	2*Max15W	2*Max1000lm	4000K	8°/18°/28°/38°/50°	WB	200-350mA

LED | UGR<10 | IP20  
IP65 | RA>90 R9>50 | Rf>90 Rg>90 | 110-130V 220-240V | L80B20 >50.000h | MacAdam Step 3 | DIMMABLE | 8°/18°/28°/38°/50° | Adjustable

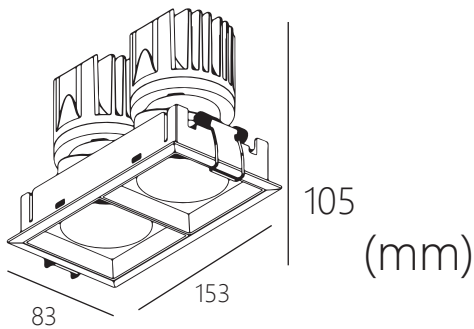


	P	Flux	CCT	Beam	Color	mA
CHO-S215T	2*Max15W	2*Max900lm	2700K	8°/18°/28°/38°/50°	WB	200-350mA
	2*Max15W	2*Max950lm	3000K	8°/18°/28°/38°/50°	WB	200-350mA
	2*Max15W	2*Max1000lm	4000K	8°/18°/28°/38°/50°	WB	200-350mA

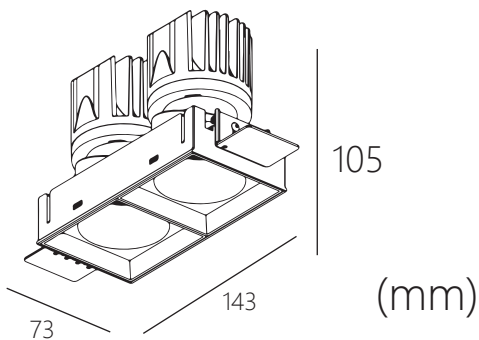
LED | UGR<10 | IP20  
IP65 | RA>90 R9>50 | Rf>90 Rg>90 | 110-130V 220-240V | L80B20 >50.000h | MacAdam Step 3 | DIMMABLE | 8°/18°/28°/38°/50° | Adjustable

### Optical Accessories

CHO-S215



CHO-S215T



#### OPTIONS

- 1 No DIM
- 2 DIM DALI
- 3 Bluetooth
- 4 0-10V
- 5 TRIAC
- 6 ZIGBEE





	P	Flux	CCT	Beam	Color	mA
CHO-S315	3*Max15W	3*Max900lm	2700K	8°/18°/28°/38°/50°	WB	200-350mA
	3*Max15W	3*Max950lm	3000K	8°/18°/28°/38°/50°	WB	200-350mA
	3*Max15W	3*Max1000lm	4000K	8°/18°/28°/38°/50°	WB	200-350mA

LED | UGR < 10 | IP20 IP65 | RA > 90 R9 > 50 | Rf > 90 Rg > 90 | 110-130V 220-240V | L80B20 > 50.000h | 
 MacAdam Step 3 | DIMMABLE | 8°/18°/28°/38°/50° | Adjustable

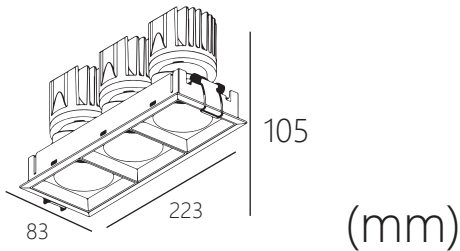


	P	Flux	CCT	Beam	Color	mA
CHO-S315T	3*Max15W	3*Max900lm	2700K	8°/18°/28°/38°/50°	WB	200-350mA
	3*Max15W	3*Max950lm	3000K	8°/18°/28°/38°/50°	WB	200-350mA
	3*Max15W	3*Max1000lm	4000K	8°/18°/28°/38°/50°	WB	200-350mA

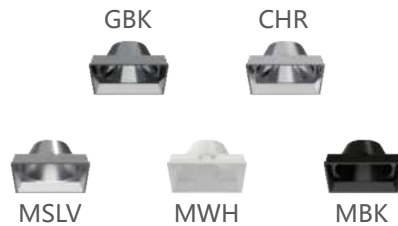
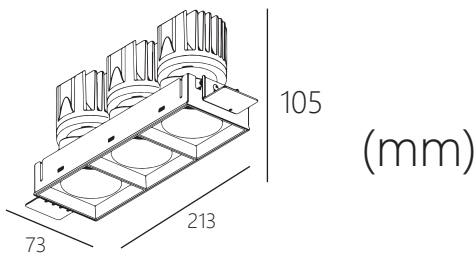
LED | UGR < 10 | IP20 IP65 | RA > 90 R9 > 50 | Rf > 90 Rg > 90 | 110-130V 220-240V | L80B20 > 50.000h | 
 MacAdam Step 3 | DIMMABLE | 8°/18°/28°/38°/50° | Adjustable

### Optical Accessories

CHO-S315



CHO-S315T



### OPTIONS

- 1 No DIM
- 2 DIM DALI
- 3 Bluetooth
- 4 0-10V
- 5 TRIAC
- 6 ZIGBEE







	P	Flux	CCT	Beam	Color	mA
CHO-S415	4*Max15W	4*Max900lm	2700K	8°/18°/28°/38°/50°	WB	200-350mA
	4*Max15W	4*Max950lm	3000K	8°/18°/28°/38°/50°	WB	200-350mA
	4*Max15W	4*Max1000lm	4000K	8°/18°/28°/38°/50°	WB	200-350mA

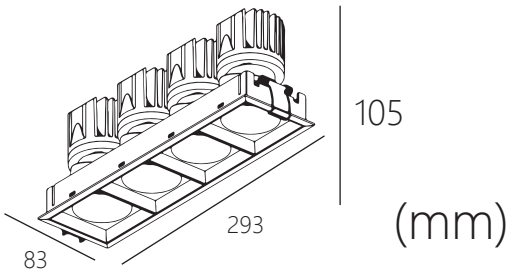
LED | UGR < 10 | IP20 IP65 | RA > 90 R9 > 50 | Rf > 90 Rg > 90 | 110-130V 220-240V | L80B20 > 50.000h | 
 MacAdam Step 3 | DIMMABLE | 8°/18°/28°/38°/50° | Adjustable



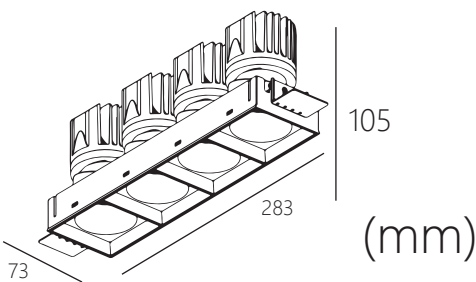
	P	Flux	CCT	Beam	Color	mA
CHO-S415T	4*Max15W	4*Max900lm	2700K	8°/18°/28°/38°/50°	WB	200-350mA
	4*Max15W	4*Max950lm	3000K	8°/18°/28°/38°/50°	WB	200-350mA
	4*Max15W	4*Max1000lm	4000K	8°/18°/28°/38°/50°	WB	200-350mA

LED | UGR < 10 | IP20 IP65 | RA > 90 R9 > 50 | Rf > 90 Rg > 90 | 110-130V 220-240V | L80B20 > 50.000h | 
 MacAdam Step 3 | DIMMABLE | 8°/18°/28°/38°/50° | Adjustable

CHO-S415



CHO-S415T



Optical Accessories



OPTIONS

- 1 No DIM
- 2 DIM DALI
- 3 Bluetooth
- 4 0-10V
- 5 TRIAC
- 6 ZIGBEE





# RASTER






Raster is a luminaire that takes care of the visual comfort of the spaces where it is installed, like no other. Its small-sized reflector, situated in a considerably set back position with respect to the ceiling plane, permits reducing glare, thus offering a very low UGR index (between 16.2 and 16.6).

Even so, the UGR is not a typical characteristic of the luminaire, but of the installation, so the values given in this catalogue have been calculated using standard installation. We recommend the specific calculation of your installation to ensure the desired anti-glare index. All the UGRs in this catalogue have been calculated under the conditions: (4H, 2H)

# RASTERI line to circle

## Refractive screen

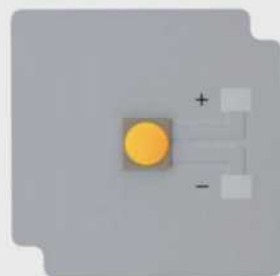
Color for option: 

Various optical reflectors  
Beam angle: 10°/15°/30°/45°

More wattage in family:  
2W/4W/10W/20W/30W

## OSRAM

High CRI and Low SDCM



## High CRI

Raster's LED products adopt world top class LED chip. Lighting in high power & high CRI makes the subject stand out in color and material feature, and thus perfectly reflecting the colors of the subject and of human beings.

## Optional filters

Clear lens:



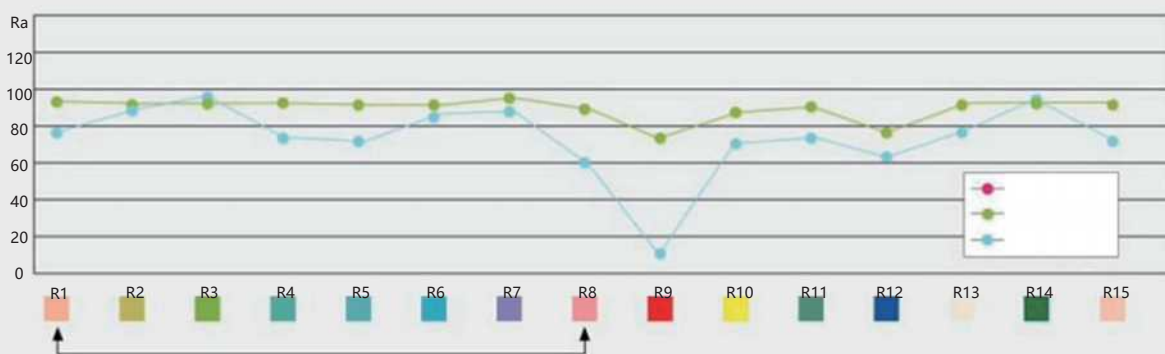
Frosted lens:



Vertical lens:



Woven lens:



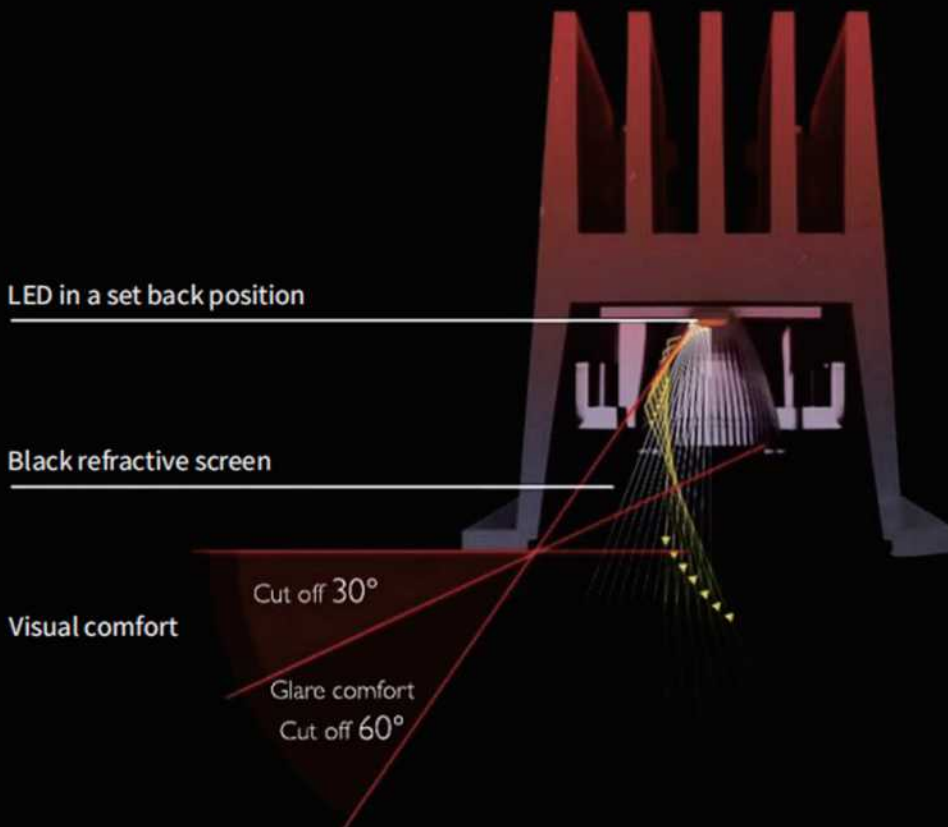
Average color rendering index ranges from R1 to R8 Eight Kinds color rendering index average

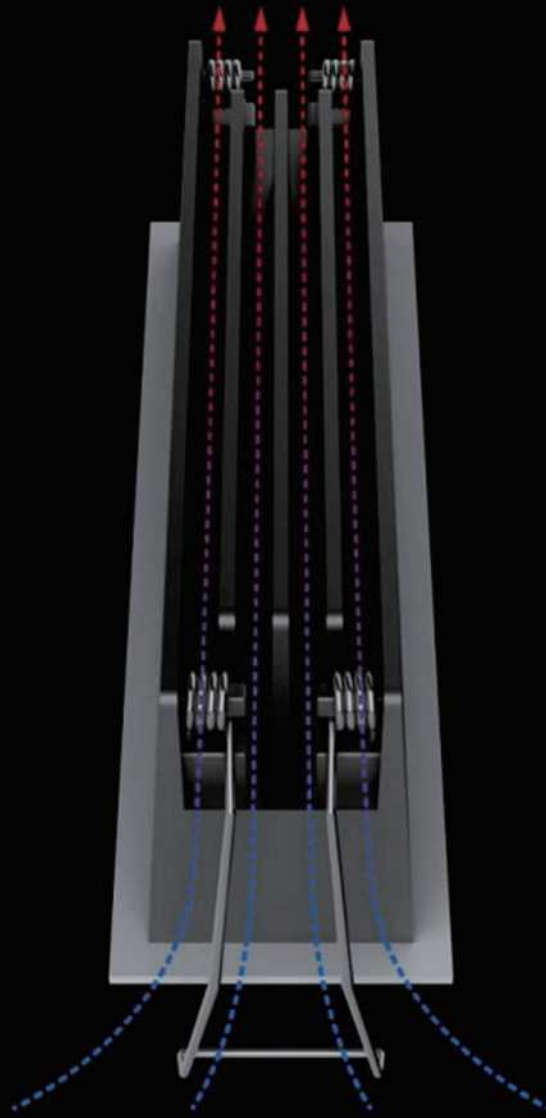


# Ultra No Glare, Low UGR

## UGR<16

Deep LED chip, black reflector screen,  
accurate optics and optional filters





## Color forging radiator

**Upto85%**

The heat efficiency, make the lamp more durable, reduce the temperature of the chip light source, reduce the speed of light.



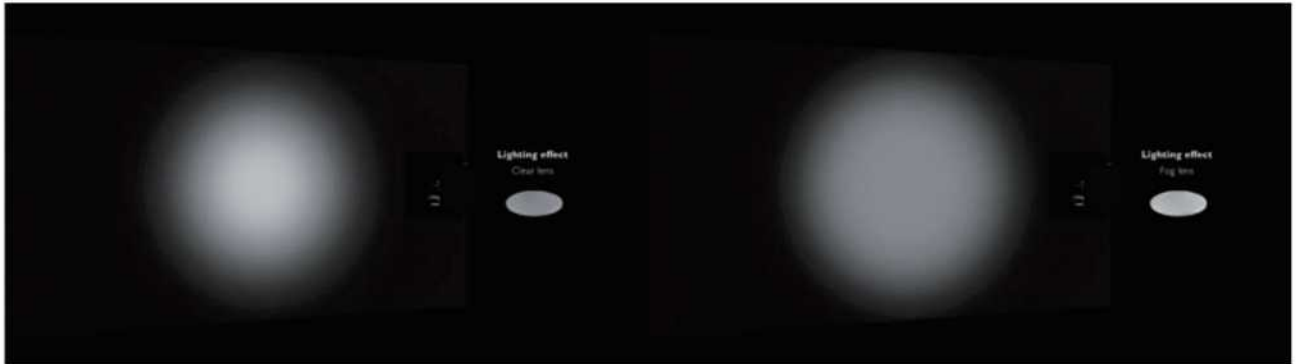
LINEAR DOWNLIGHT | LINE TO CIRCLE  
RASTER

# Lighting effect

Clear lens



Frosted lens



Vertical lens



Woven lens



GLOSSY WHITE



MATT BLACK



MATT BLACK



GLOSSY WHITE



GLOSSY GOLDEN



GLOSSY BLACK



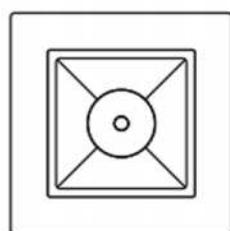
GLOSSY BLACK



GLOSSY ROSE



CHROME





# RASTER

RASTER is a revolution of spotlight. It is linear lighting fixture, but its light distribution is a perfect round. It is small body, but it can light up large areas. You can never see where the light comes from, but it lights up the article magically with low eco impact and low visual impact.





	P	Flux	CCT	Beam	Color	mA
RA-02	2W	140lm	2700K	15°/30°/45°	B/W	700mA
	2W	145lm	3000K	15°/30°/45°	B/W	700mA
	2W	150lm	4000K	15°/30°/45°	B/W	700mA

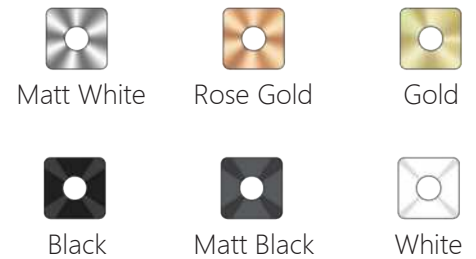
LED | UGR < 19 | IP20 | RA > 90 | Rf > 90 Rg > 90 | 110-130V 220-240V | L80B20 > 50.000h | 3V/LED | 
 MacAdam Step 3 | DIMMABLE | 15°/30°/45°



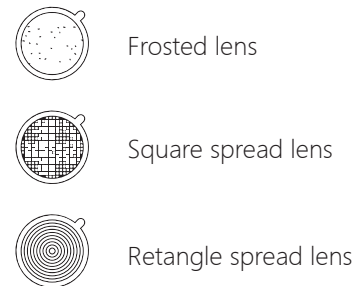
	P	Flux	CCT	Beam	Color	mA
RA-04	4W	280lm	2700K	15°/30°/45°	B/W	700mA
	4W	310lm	3000K	15°/30°/45°	B/W	700mA
	4W	340lm	4000K	15°/30°/45°	B/W	700mA

LED | UGR < 19 | IP20 | RA > 90 | Rf > 90 Rg > 90 | 110-130V 220-240V | L80B20 > 50.000h | 3V/LED | 
 MacAdam Step 3 | DIMMABLE | 15°/30°/45°

### HOUSING IN DIFFERENT COLOR



### ACCESSORIES

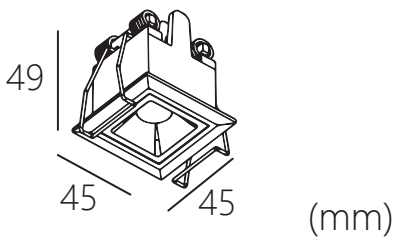


### OPTIONS

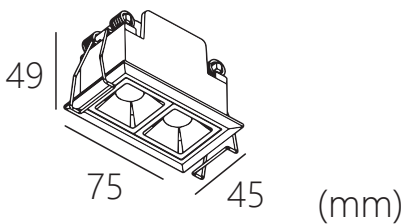
- 1 No DIM
- 2 DIM DALI
- 3 Bluetooth
- 4 0-10V
- 5 TRIAC



RA-02



RA-04





	P	Flux	CCT	Beam	Color	mA
RA-06	6W	350lm	2700K	15°/30°/45°	B/W	700mA
	6W	380lm	3000K	15°/30°/45°	B/W	700mA
	6W	400lm	4000K	15°/30°/45°	B/W	700mA

LED | UGR < 19 | IP20 | RA > 90 | Rf > 90 | Rg > 90 | 110-130V | 220-240V | L80B20 > 50.000h | 3V/LED | 
 MacAdam Step 3 | DIMMABLE | 15°/30°/45°



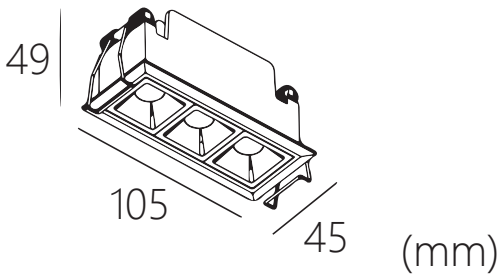
	P	Flux	CCT	Beam	Color	mA
RA-10	10W	600lm	2700K	10°/15°/30°/45°	B/W	550mA
	10W	650lm	3000K	10°/15°/30°/45°	B/W	550mA
	10W	700lm	4000K	10°/15°/30°/45°	B/W	550mA

LED | UGR < 19 | IP20 | RA > 90 | Rf > 90 | Rg > 90 | 110-130V | 220-240V | L80B20 > 50.000h | 3V/LED | 
 MacAdam Step 3 | DIMMABLE | 10°/15°/30°/45°

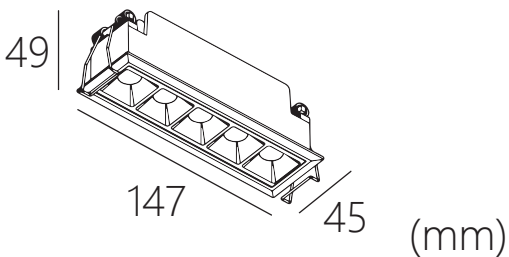
### HOUSING IN DIFFERENT COLOR



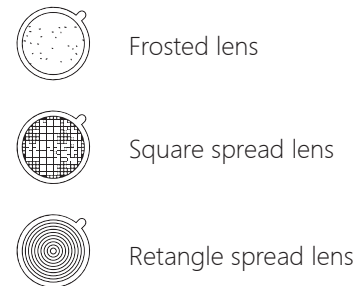
RA-06



RA-10



### ACCESSORIES

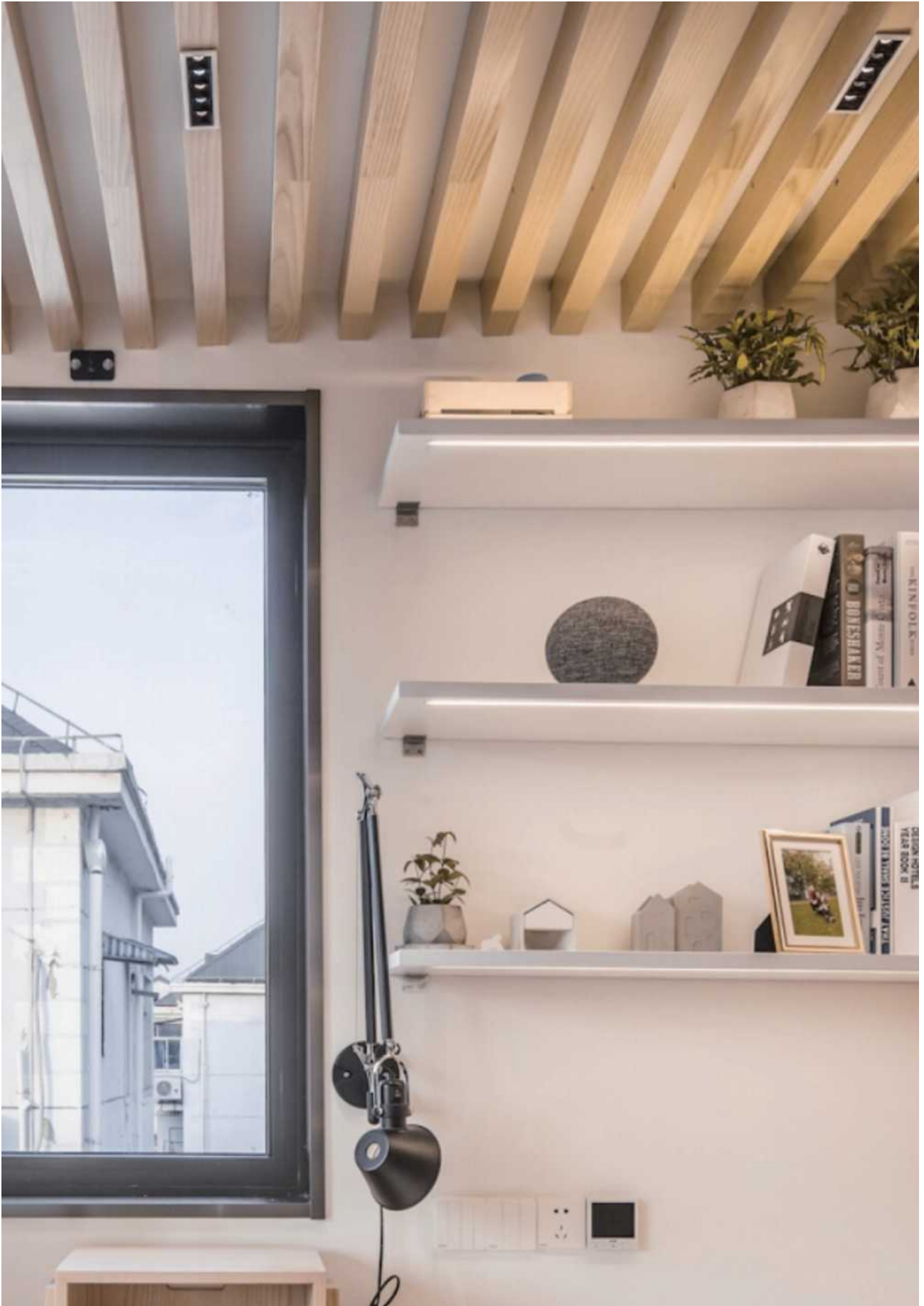


### OPTIONS

- 1 No DIM
- 2 DIM DALI
- 3 Bluetooth
- 4 0-10V
- 5 TRIAC



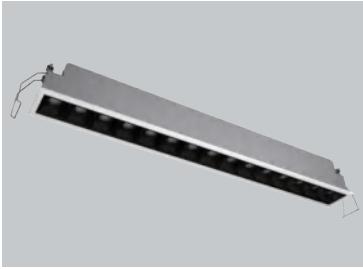






	P	Flux	CCT	Beam	Color	mA
RA-20	20W	1300lm	2700K	10°/15°/30°/45°	B/W	600mA
	20W	1350lm	3000K	10°/15°/30°/45°	B/W	600mA
	20W	1400lm	4000K	10°/15°/30°/45°	B/W	600mA

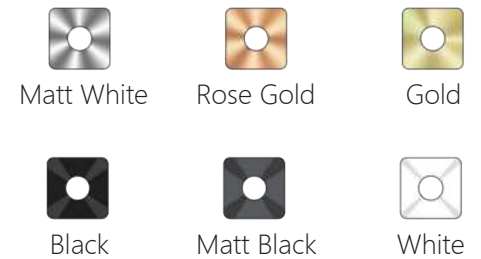
LED | UGR < 19 | IP20 | RA > 90 | Rf > 90 Rg > 90 | 110-130V 220-240V | L80B20 > 50.000h | 3V/LED | 
 MacAdam Step 3 | DIMMABLE | 10°/15°/30°/45°



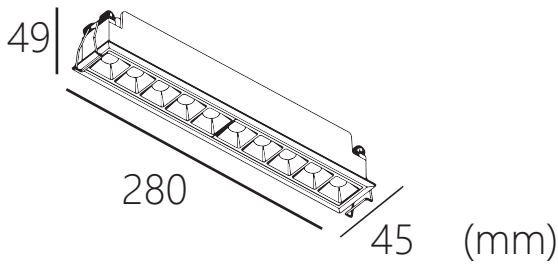
	P	Flux	CCT	Beam	Color	mA
RA-30	30W	1900lm	2700K	10°/15°/30°/45°	B/W	600mA
	30W	2000lm	3000K	10°/15°/30°/45°	B/W	600mA
	30W	2100lm	4000K	10°/15°/30°/45°	B/W	600mA

LED | UGR < 19 | IP20 | RA > 90 | Rf > 90 Rg > 90 | 110-130V 220-240V | L80B20 > 50.000h | 3V/LED | 
 MacAdam Step 3 | DIMMABLE | 10°/15°/30°/45°

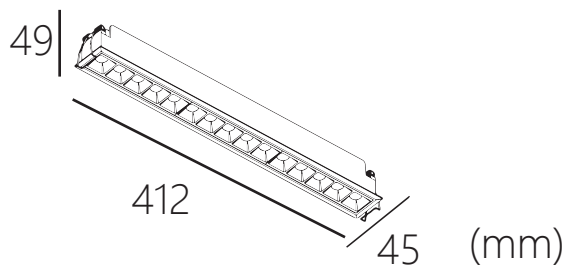
HOUSING IN DIFFERENT COLOR



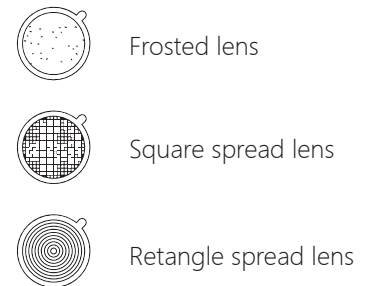
RA-20



RA-30



ACCESSORIES



OPTIONS

- 1 No DIM
- 2 DIM DALI
- 3 Bluetooth
- 4 0-10V
- 5 TRIAC



# RASTER ADJUSTABLE







## Adjustable Recessed Light



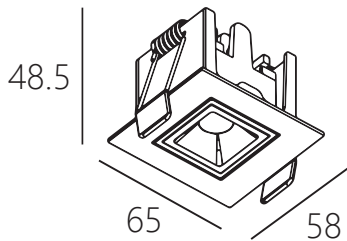
# RASTER ADJUSTABLE



	P	Flux	CCT	Beam	Color	mA
RA-AD02	2W	140lm	2700K	15°/30°/45°	B/W	700mA
	2W	145lm	3000K	15°/30°/45°	B/W	700mA
	2W	150lm	4000K	15°/30°/45°	B/W	700mA




LED | UGR < 19 | IP20 | RA > 90 | Rf > 90 | Rg > 90 | 110-130V | 220-240V | L80B20 | > 50.000h | 3V/LED | 
 MacAdam Step 3 | DIMMABLE | 15°/30°/45°

RA-AD02




(mm)

## ACCESSORIES

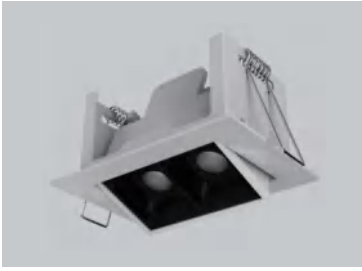
-  Frosted lens
-  Square spread lens
-  Rectangle spread lens

## OPTIONS

- 1 No DIM
- 2 DIM DALI
- 3 Bluetooth 
- 4 0-10V
- 5 TRIAC



# RASTER ADJUSTABLE



	P	Flux	CCT	Beam	Color	mA
RA-AD04	4W	280lm	2700K	15°/30°/45°	B/W	700mA
	4W	310lm	3000K	15°/30°/45°	B/W	700mA
	4W	340lm	4000K	15°/30°/45°	B/W	700mA

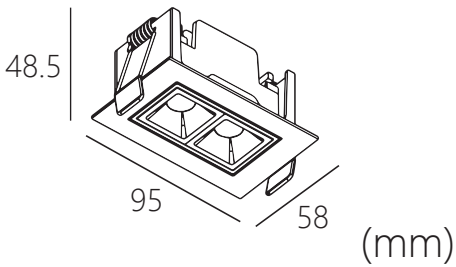
LED | UGR < 19 | IP20 | RA > 90 | Rf > 90 | Rg > 90 | 110-130V | 220-240V | L80B20 | > 50.000h | 3V/LED | 
 MacAdam Step 3 | DIMMABLE | 15°/30°/45°



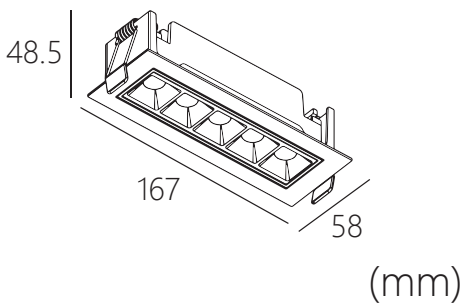
	P	Flux	CCT	Beam	Color	mA
RA-AD10	10W	600lm	2700K	10°/15°/30°/45°	B/W	700mA
	10W	650lm	3000K	10°/15°/30°/45°	B/W	700mA
	10W	700lm	4000K	10°/15°/30°/45°	B/W	700mA

LED | UGR < 19 | IP20 | RA > 90 | Rf > 90 | Rg > 90 | 110-130V | 220-240V | L80B20 | > 50.000h | 3V/LED | 
 MacAdam Step 3 | DIMMABLE | 10°/15°/30°/45°




## RA-AD04




## RA-AD10



## ACCESSORIES

-  Frosted lens
-  Square spread lens
-  Rectangle spread lens

## OPTIONS

- 1 No DIM
- 2 DIM DALI
- 3 Bluetooth 
- 4 0-10V
- 5 TRIAC

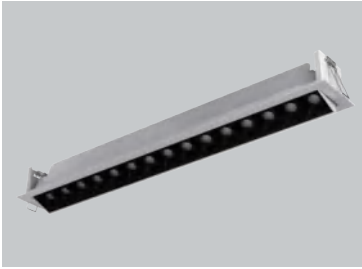






	P	Flux	CCT	Beam	Color	mA
RA-AD20	20W	1300lm	2700K	10°/15°/30°/45°	B/W	600mA
	20W	1350lm	3000K	10°/15°/30°/45°	B/W	600mA
	20W	1400lm	4000K	10°/15°/30°/45°	B/W	600mA

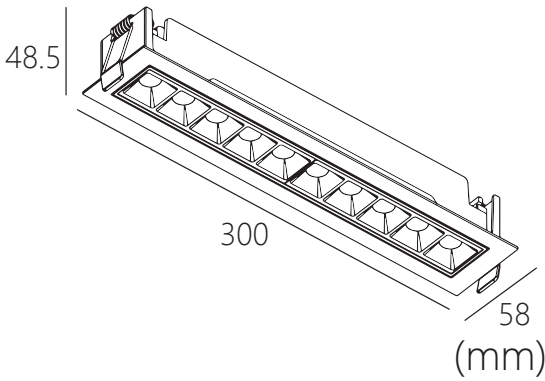
LED | UGR<19 | IP20 | RA>90 | Rf>90 | Rg>90 | 110-130V | 220-240V | L80B20 | >50.000h | 3V/LED | 
 MacAdam Step 3 | DIMMABLE | 10°/15°/30°/45°



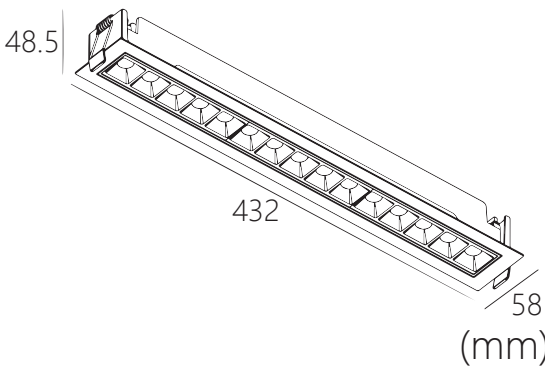
	P	Flux	CCT	Beam	Color	mA
RA-AD30	30W	1900lm	2700K	10°/15°/30°/45°	B/W	600mA
	30W	2000lm	3000K	10°/15°/30°/45°	B/W	600mA
	30W	2100lm	4000K	10°/15°/30°/45°	B/W	600mA

LED | UGR<19 | IP20 | RA>90 | Rf>90 | Rg>90 | 110-130V | 220-240V | L80B20 | >50.000h | 3V/LED | 
 MacAdam Step 3 | DIMMABLE | 10°/15°/30°/45°




## RA-AD20




## RA-AD30



## ACCESSORIES

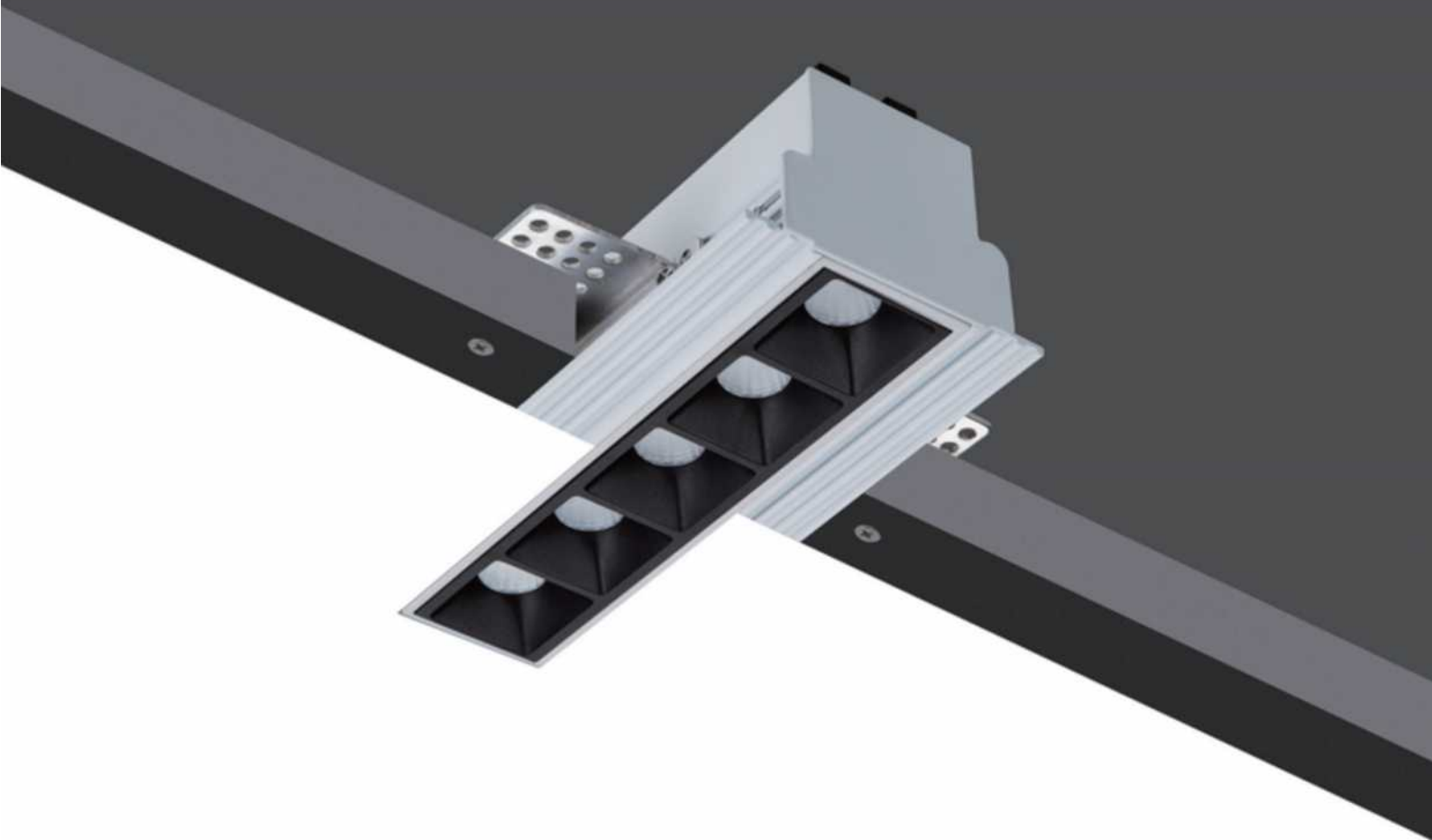
-  Frosted lens
-  Square spread lens
-  Rectangle spread lens

## OPTIONS

- 1 No DIM
- 2 DIM DALI
- 3 Bluetooth 
- 4 0-10V
- 5 TRIAC







# RASTER TRIMLESS

Hidden in the ceiling of white or black. Main body replacement supported after years using. Optics changeable to general lighting, wall washer, spotlight.

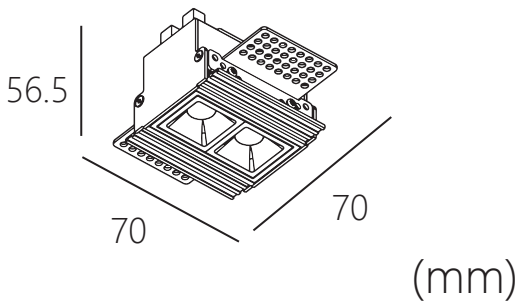




	P	Flux	CCT	Beam	Color	mA
RA-TRI04	4W	280lm	2700K	15°/30°/45°	B/W	700mA
	4W	310lm	3000K	15°/30°/45°	B/W	700mA
	4W	340lm	4000K	15°/30°/45°	B/W	700mA

LED | UGR < 19 | IP20 | RA > 90 | Rf > 90 | Rg > 90 | 110-130V | 220-240V | L80B20 | > 50.000h | 3V/LED | 
 MacAdam Step 3 | DIMMABLE | 15°/30°/45°

RA-TRI04



### HOUSING IN DIFFERENT COLOR

Matt White	Rose Gold	Gold
Black	Matt Black	White

### ACCESSORIES

- Frosted lens
- Square spread lens
- Retangle spread lens

### OPTIONS

- 1 No DIM
- 2 DIM DALI
- 3 Bluetooth
- 4 0-10V
- 5 TRIAC





	P	Flux	CCT	Beam	Color	mA
RA-TRI06	6W	350lm	2700K	15°/30°/45°	B/W	700mA
	6W	400lm	3000K	15°/30°/45°	B/W	700mA
	6W	450lm	4000K	15°/30°/45°	B/W	700mA

LED | UGR < 19 | IP20 | RA > 90 | Rf > 90 Rg > 90 | 110-130V 220-240V | L80B20 > 50.000h | 3V/LED | 
 MacAdam Step 3 | DIMMABLE | 15°/30°/45°



	P	Flux	CCT	Beam	Color	mA
RA-TRI10	10W	600lm	2700K	10°/15°/30°/45°	B/W	700mA
	10W	650lm	3000K	10°/15°/30°/45°	B/W	700mA
	10W	700lm	4000K	10°/15°/30°/45°	B/W	700mA

LED | UGR < 19 | IP20 | RA > 90 | Rf > 90 Rg > 90 | 110-130V 220-240V | L80B20 > 50.000h | 3V/LED | 
 MacAdam Step 3 | DIMMABLE | 10°/15°/30°/45°

### HOUSING IN DIFFERENT COLOR



Matt White



Rose Gold



Gold



Black



Matt Black



White

### ACCESSORIES



Frosted lens



Square spread lens



Retangle spread lens

### OPTIONS

1 No DIM

2 DIM DALI

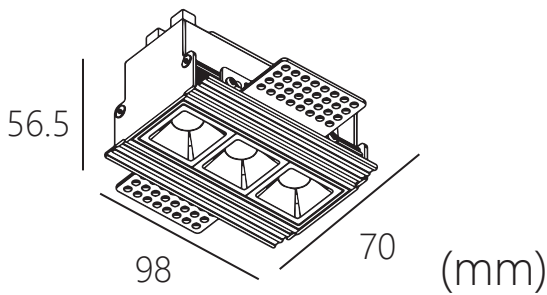
3 Bluetooth

4 0-10V

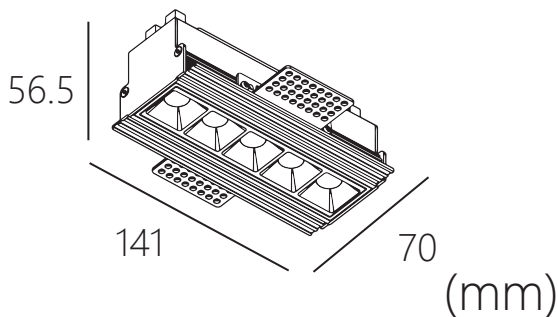
5 TRIAC



RA-TRI06



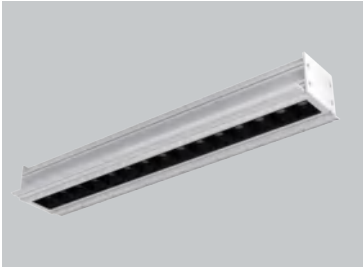
RA-TRI10





	P	Flux	CCT	Beam	Color	mA
RA-TRI20	20W	1300lm	2700K	10°/15°/30°/45°	B/W	600mA
	20W	1350lm	3000K	10°/15°/30°/45°	B/W	600mA
	20W	1400lm	4000K	10°/15°/30°/45°	B/W	600mA

LED | UGR<19 | IP20 | RA>90 | Rf>90 | Rg>90 | 110-130V | 220-240V | L80B20 | >50.000h | 3V/LED | 
 MacAdam Step 3 | DIMMABLE | 10°/15°/30°/45°



	P	Flux	CCT	Beam	Color	mA
RA-TRI30	30W	1900lm	2700K	10°/15°/30°/45°	B/W	600mA
	30W	2000lm	3000K	10°/15°/30°/45°	B/W	600mA
	30W	2100lm	4000K	10°/15°/30°/45°	B/W	600mA

LED | UGR<19 | IP20 | RA>90 | Rf>90 | Rg>90 | 110-130V | 220-240V | L80B20 | >50.000h | 3V/LED | 
 MacAdam Step 3 | DIMMABLE | 10°/15°/30°/45°

### HOUSING IN DIFFERENT COLOR



Matt White



Rose Gold



Gold



Black



Matt Black



White

### ACCESSORIES



Frosted lens



Square spread lens

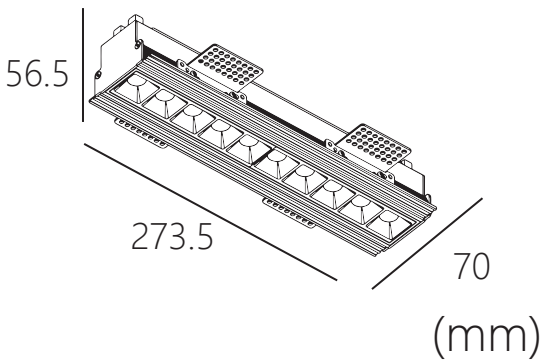


Rectangle spread lens

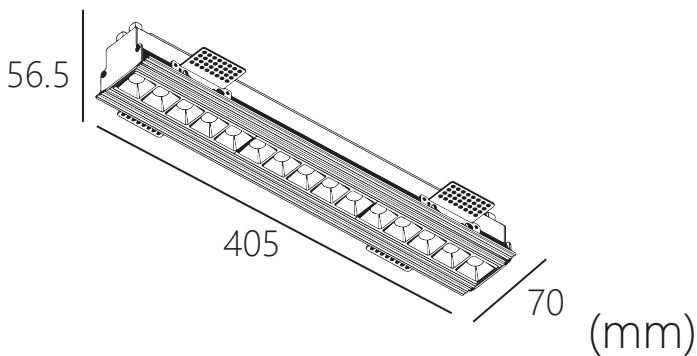
### OPTIONS

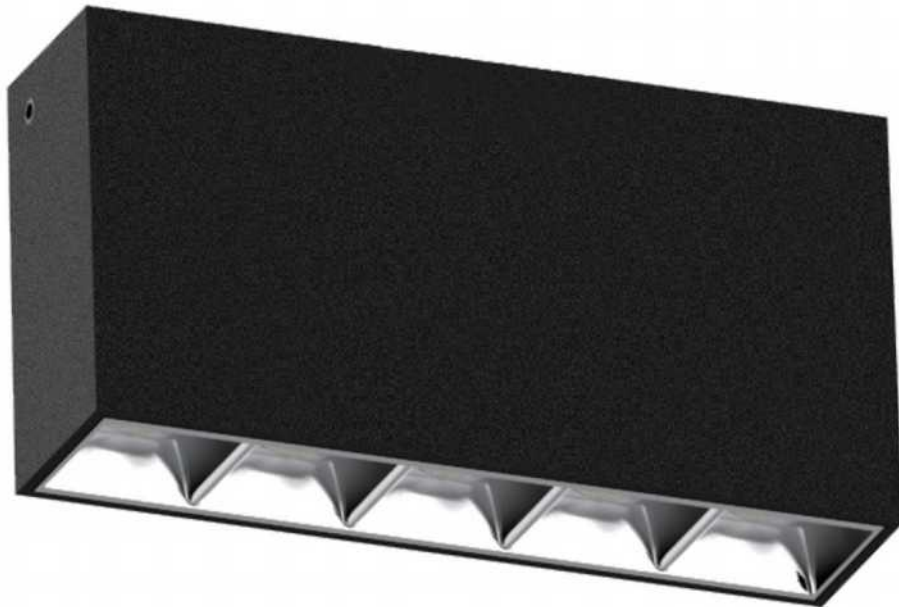
- 1 No DIM
- 2 DIM DALI
- 3 Bluetooth
- 4 0-10V
- 5 TRIAC

RA-TRI20



RA-TRI30





# RASTER SURFACE

Change the optics RASTER is available in surface. Perfect light out-put, clear and uniform. Anti glare and visual comfort.







	P	Flux	CCT	Beam	Color	mA
RA-SUR04	4W	280lm	2700K	15°/30°/45°	B/W	700mA
	4W	300lm	3000K	15°/30°/45°	B/W	700mA
	4W	310lm	4000K	15°/30°/45°	B/W	700mA

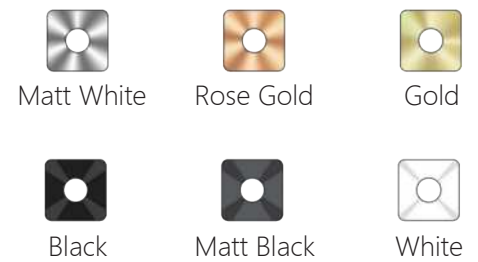
LED | UGR<19 | IP20 | RA>90 | Rf>90 | Rg>90 | 110-130V | 220-240V | L80B20 | >50.000h | 3V/LED | 
 MacAdam Step 3 | DIMMABLE | 15°/30°/45°



	P	Flux	CCT	Beam	Color	mA
RA-SUR10	10W	610lm	2700K	15°/30°/45°	B/W	700mA
	10W	650lm	3000K	15°/30°/45°	B/W	700mA
	10W	700lm	4000K	15°/30°/45°	B/W	700mA

LED | UGR<19 | IP20 | RA>90 | Rf>90 | Rg>90 | 110-130V | 220-240V | L80B20 | >50.000h | 3V/LED | 
 MacAdam Step 3 | DIMMABLE | 15°/30°/45°

### HOUSING IN DIFFERENT COLOR



RA-SUR04



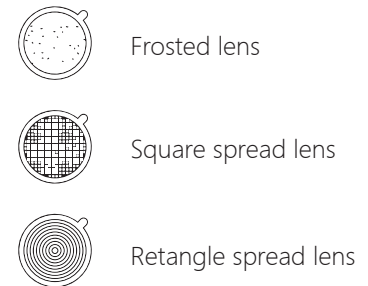
(mm)

RA-SUR10



(mm)

### ACCESSORIES



### OPTIONS

- 1 No DIM
- 2 DIM DALI
- 3 Bluetooth
- 4 0-10V
- 5 TRIAC





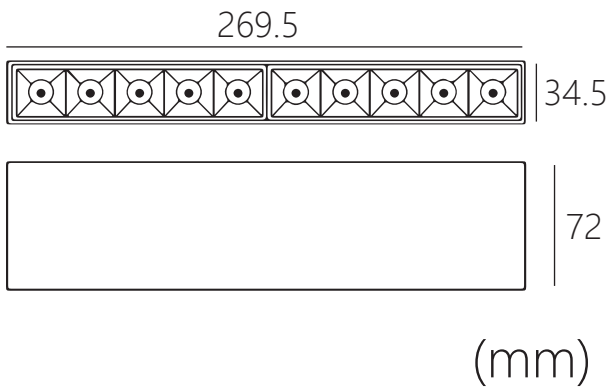
	P	Flux	CCT	Beam	Color	mA
RA-SUR20	20W	1300lm	2700K	10°/15°/30°/45°	B/W	600mA
	20W	1350lm	3000K	10°/15°/30°/45°	B/W	600mA
	20W	1400lm	4000K	10°/15°/30°/45°	B/W	600mA

LED | UGR < 19 | IP20 | RA > 90 | Rf > 90 | Rg > 90 | 110-130V | 220-240V | L80B20 > 50.000h | 3V/LED | 
 MacAdam Step 3 | DIMMABLE | 10°/15°/30°/45°

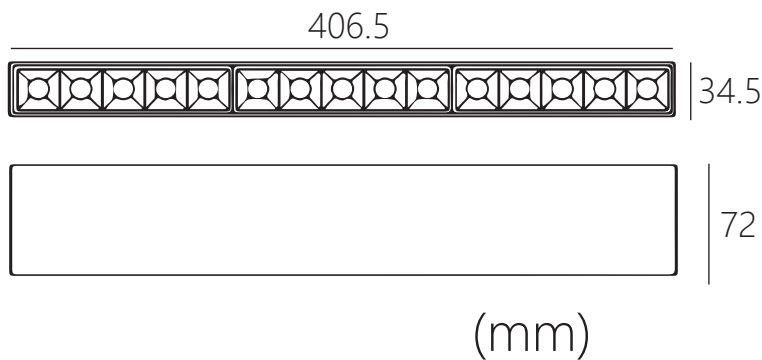
	P	Flux	CCT	Beam	Color	mA
RA-SUR30	30W	1900lm	2700K	10°/15°/30°/45°	B/W	600mA
	30W	2000lm	3000K	10°/15°/30°/45°	B/W	600mA
	30W	2100lm	4000K	10°/15°/30°/45°	B/W	600mA

LED | UGR < 19 | IP20 | RA > 90 | Rf > 90 | Rg > 90 | 110-130V | 220-240V | L80B20 > 50.000h | 3V/LED | 
 MacAdam Step 3 | DIMMABLE | 10°/15°/30°/45°

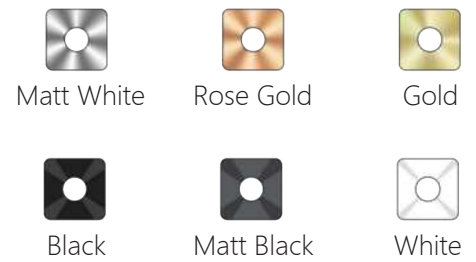
RA-SUR20



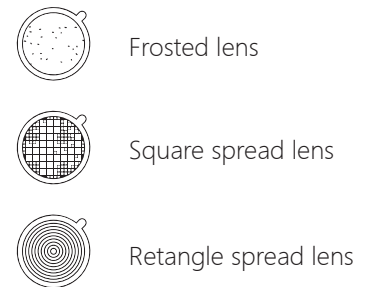
RA-SUR30



### HOUSING IN DIFFERENT COLOR



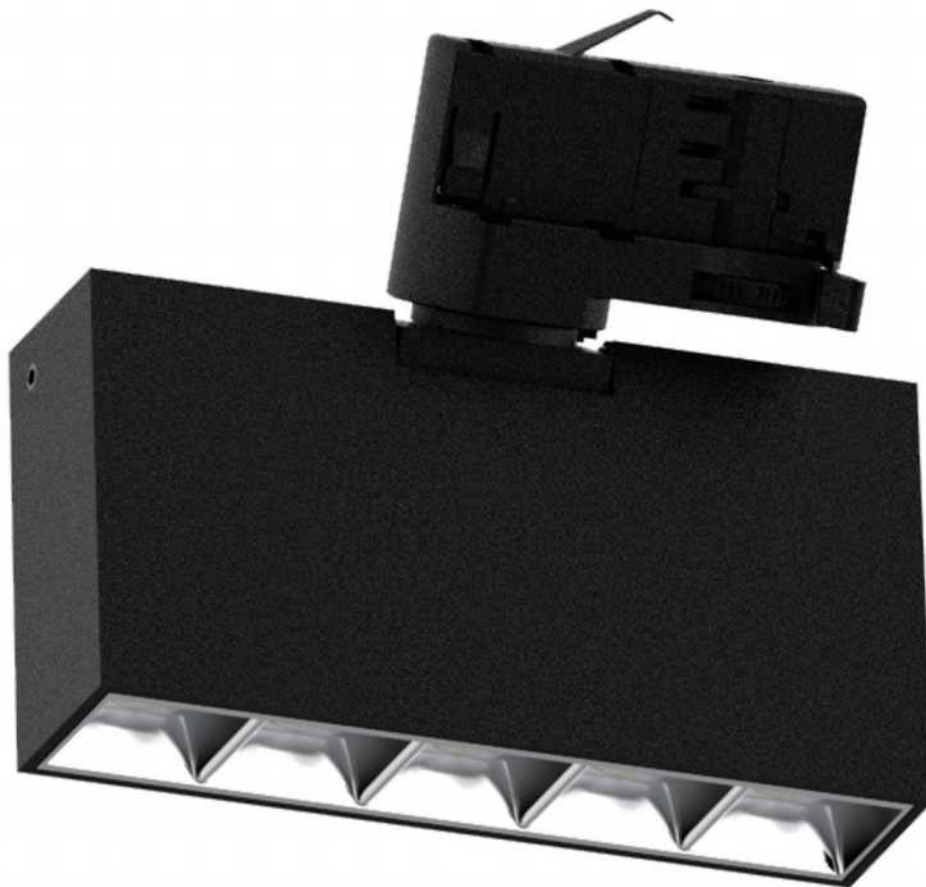
### ACCESSORIES



### OPTIONS

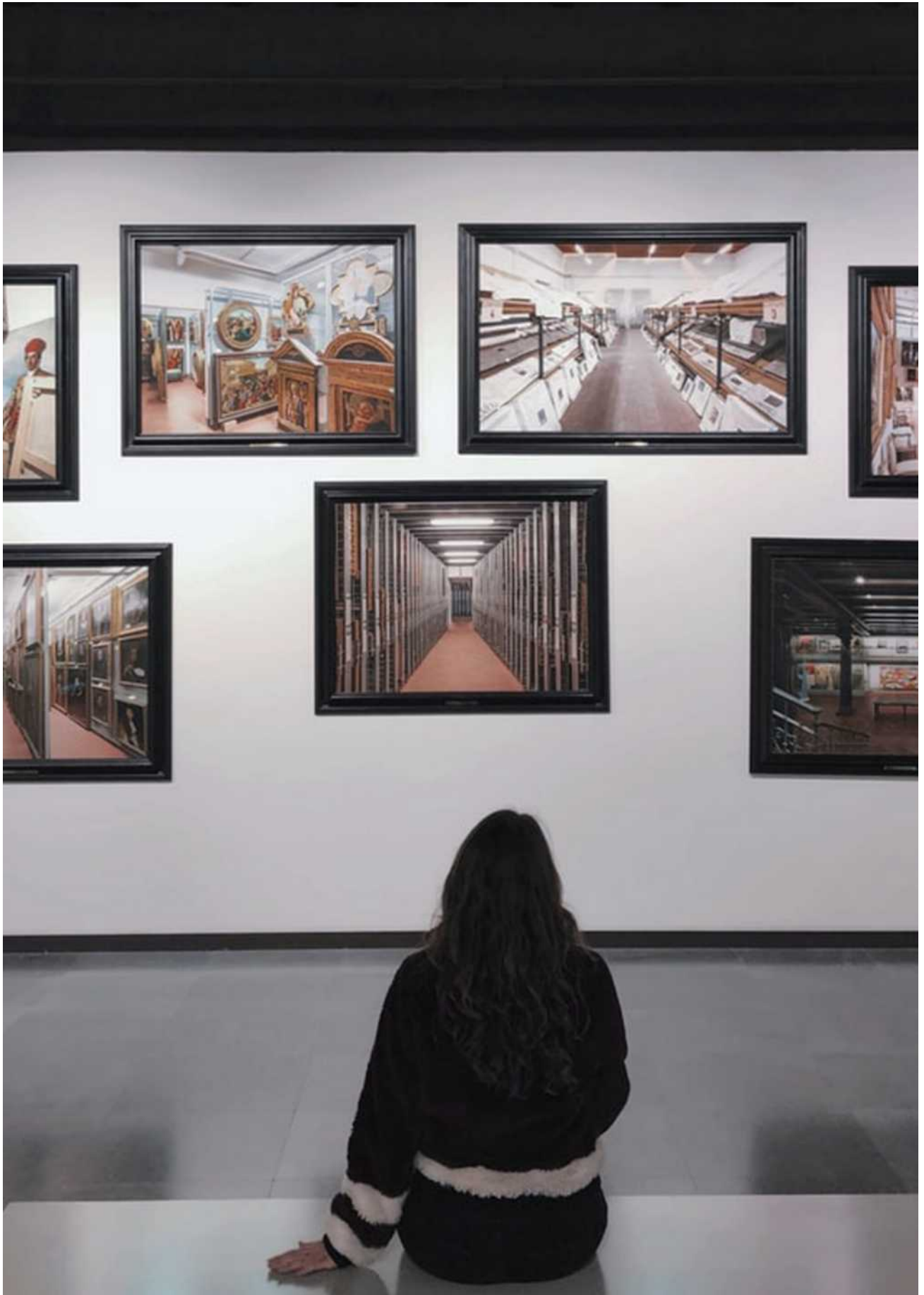
- 1 No DIM
- 2 DIM DALI
- 3 Bluetooth
- 4 0-10V
- 5 TRIAC





# RASTER TRACK

Change the optics RASTER is available in track. Perfect light out-put, clear and uniform. Anti glare and visual comfort.

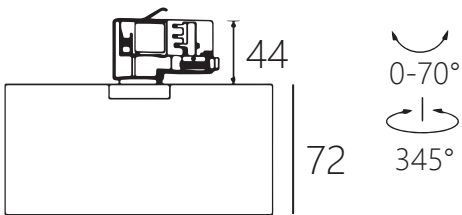
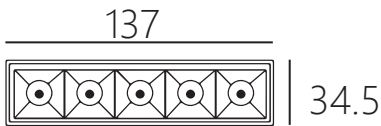




	P	Flux	CCT	Beam	Color	mA
RA-TRA10	10W	600lm	2700K	10°/15°/30°/45°	B/W	700mA
	10W	650lm	3000K	10°/15°/30°/45°	B/W	700mA
	10W	700lm	4000K	10°/15°/30°/45°	B/W	700mA

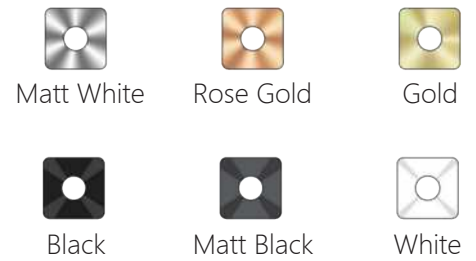
LED | UGR < 19 | IP20 | RA > 90 | Rf > 90 | Rg > 90 | 110-130V | 220-240V | L80B20 | > 50.000h | 3V/LED | 
 MacAdam Step 3 | DIMMABLE | 10°/15°/30°/45°

## RA-TRA10

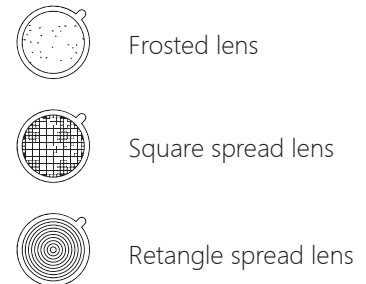


(mm)

### HOUSING IN DIFFERENT COLOR



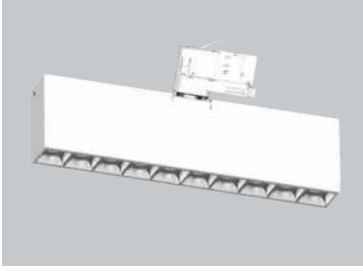
### ACCESSORIES



### OPTIONS

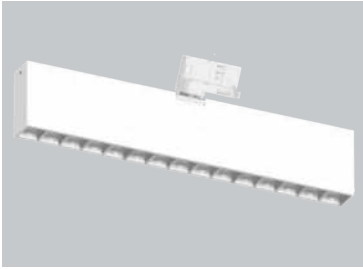
- 1 No DIM
- 2 DIM DALI
- 3 Bluetooth
- 4 0-10V
- 5 TRIAC





	P	Flux	CCT	Beam	Color	mA
RA-TRA20	20W	1300lm	2700K	10°/15°/30°/45°	B/W	600mA
	20W	1350lm	3000K	10°/15°/30°/45°	B/W	600mA
	20W	1400lm	4000K	10°/15°/30°/45°	B/W	600mA

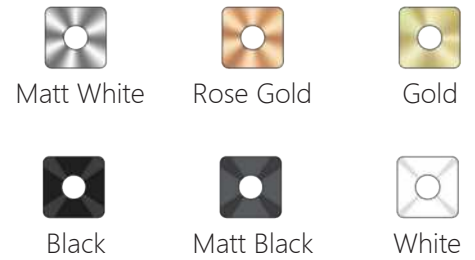
LED | UGR<19 | IP20 | RA>90 | Rf>90 | Rg>90 | 110-130V | 220-240V | L80B20 | >50.000h | 3V/LED | 
 MacAdam Step 3 | DIMMABLE | 10°/15°/30°/45°



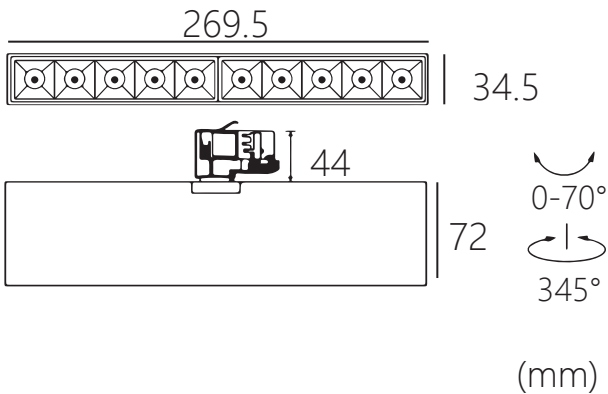
	P	Flux	CCT	Beam	Color	mA
RA-TRA30	30W	1900lm	2700K	10°/15°/30°/45°	B/W	600mA
	30W	2000lm	3000K	10°/15°/30°/45°	B/W	600mA
	30W	2100lm	4000K	10°/15°/30°/45°	B/W	600mA

LED | UGR<19 | IP20 | RA>90 | Rf>90 | Rg>90 | 110-130V | 220-240V | L80B20 | >50.000h | 3V/LED | 
 MacAdam Step 3 | DIMMABLE | 10°/15°/30°/45°

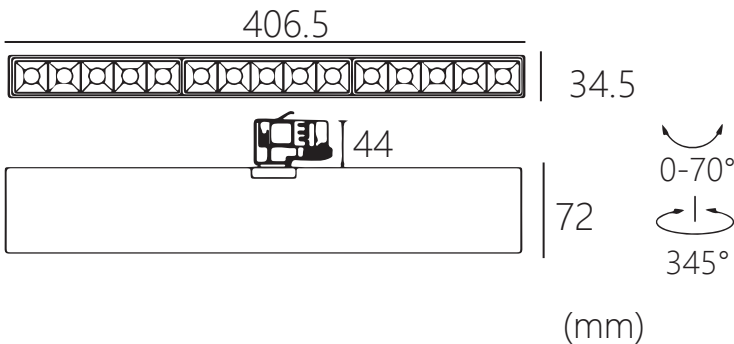
### HOUSING IN DIFFERENT COLOR



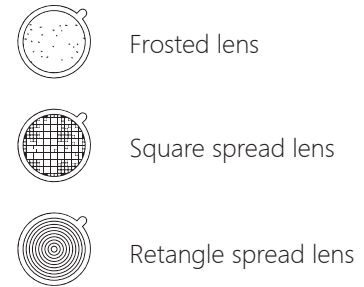
### RA-TRA20



### RA-TRA30



### ACCESSORIES



### OPTIONS

- 1 No DIM
- 2 DIM DALI
- 3 Bluetooth
- 4 0-10V
- 5 TRIAC





# RASTER GENERAL

Change the optics RASTER is available in diffuser. Application in general lightings.



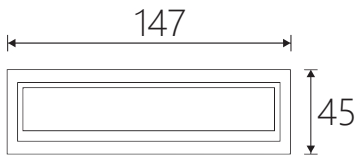


	P	Flux	CCT	Beam	Color	mA
RA-GEN10	10W	600lm	2700K	100°	B/W	700mA
	10W	650lm	3000K	100°	B/W	700mA
	10W	700lm	4000K	100°	B/W	700mA

LED | UGR < 19 | IP20 | RA > 90 | Rf > 90 | Rg > 90 | 110-130V | 220-240V | L80B20 | > 50.000h | 3V/LED



## RA-GEN10



(mm)

### OPTIONS

- 1 No DIM
- 2 DIM DALI
- 3 Bluetooth
- 4 0-10V
- 5 TRIAC

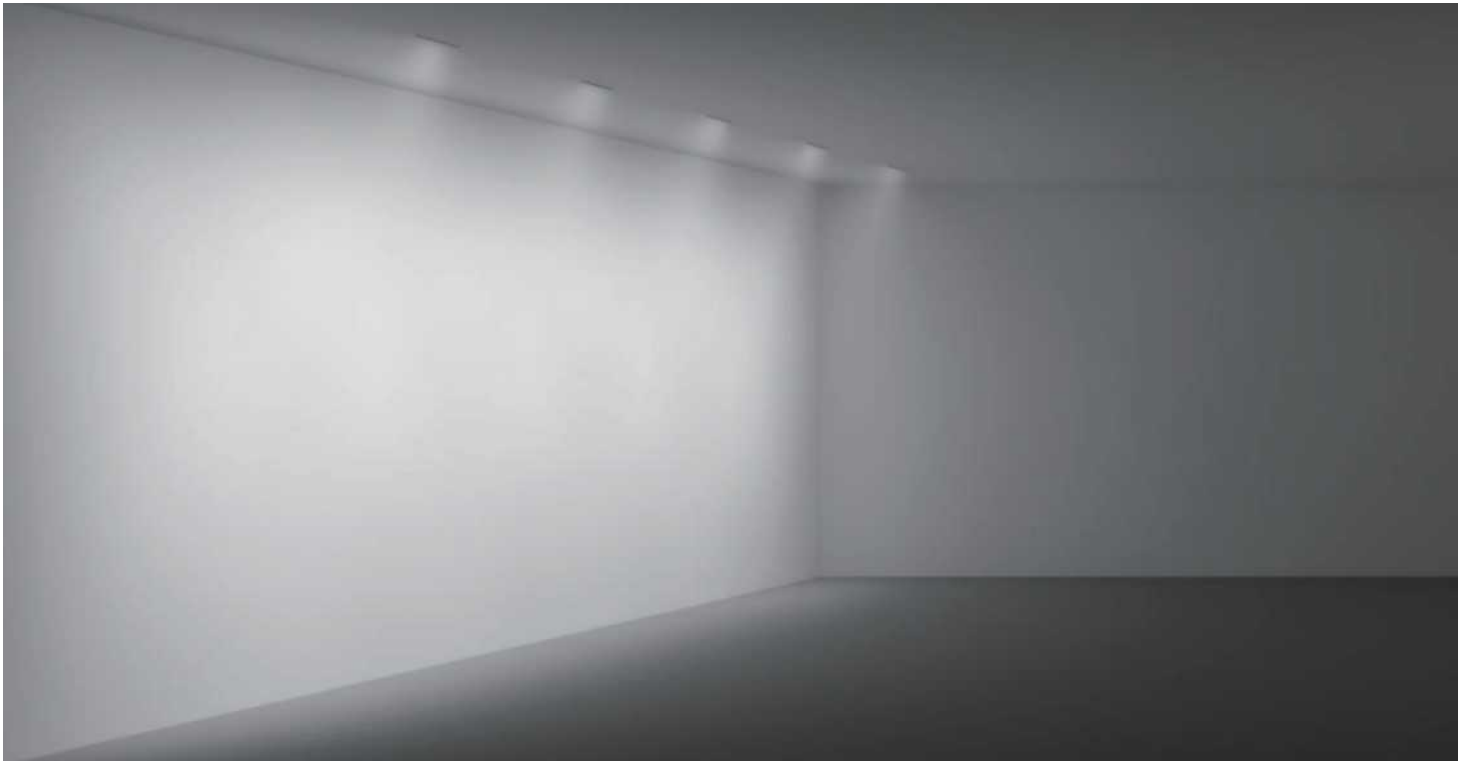




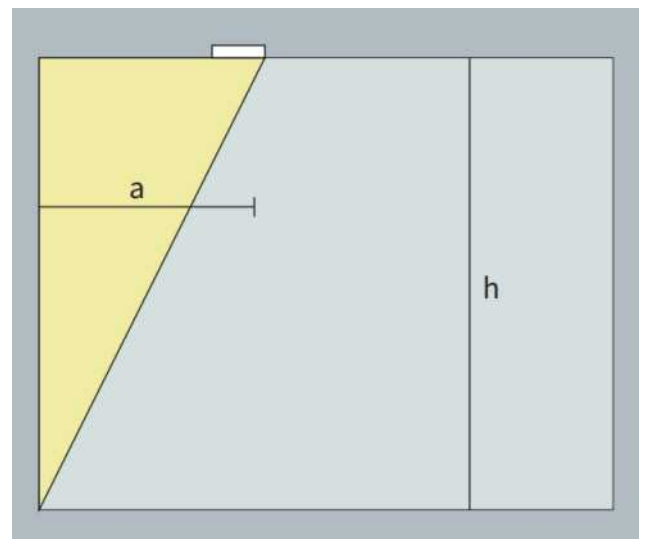
## RASTER WALL WASHER

Change the optics RASTER is available in wall washer. Perfect light out-put, clear and uniform. Anti glare and visual comfort.

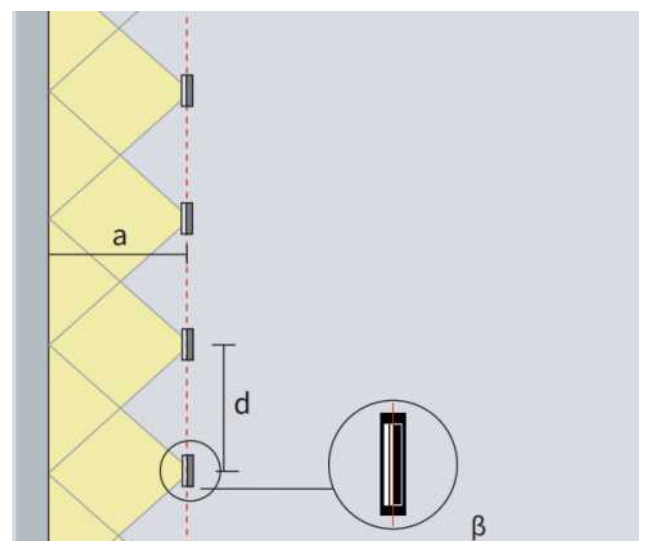




Wall washing For uniform vertical illuminance, the distance  $a$  of the luminaire from the wall should be around one third of the room height ( $h$ ). Optimal wall offset and luminaire spacing values are indicated in the wall washer tables on the product data sheets. Rough guide:  $a = 1/3 \times h$



For good longitudinal uniformity, the spacing ( $d$ ) of Compar lens wall washers may be up to 1.3 times the offset from the wall ( $a$ ). Arrangement:  $d \leq 1.3 \times a$



Please make sure install alluminaire in same direction which its keep B parallel with the wall.

# RASTER WALL WASHER



	P	Flux	CCT	Beam	Color	mA
RA-WW10	10W	810lm	2700K	wall washer	B/W	700mA
	10W	840lm	3000K	wall washer	B/W	700mA
	10W	880lm	4000K	wall washer	B/W	700mA



UGR < 19



RA > 90

Rf > 90  
Rg > 90

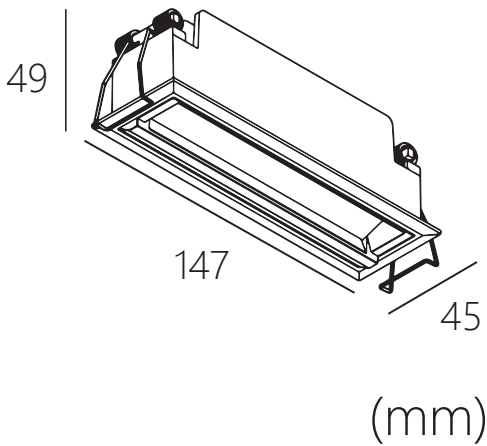
110-130V  
220-240V

L80B20  
> 50.000h

3V/LED



## RA-WW10



### OPTIONS

- 1 No DIM
- 2 DIM DALI
- 3 Bluetooth
- 4 0-10V
- 5 TRIAC



COLOUR | BK  WH  |

MATERIAL | AL |

RASTER

# RASTER WALL WASHER



	P	Flux	CCT	Beam	Color	mA
RA-WW20	20W	1350lm	2700K	wall washer	B/W	600mA
	20W	1400lm	3000K	wall washer	B/W	600mA
	20W	1450lm	4000K	wall washer	B/W	600mA

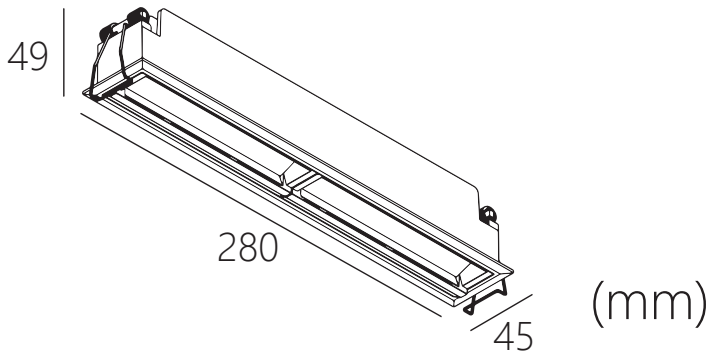
LED | UGR < 19 | IP20 | RA > 90 | Rf > 90 | Rg > 90 | 110-130V | 220-240V | L80B20 | > 50.000h | 3V/LED | 
 MacAdam Step 3 | DIMMABLE | wall washer



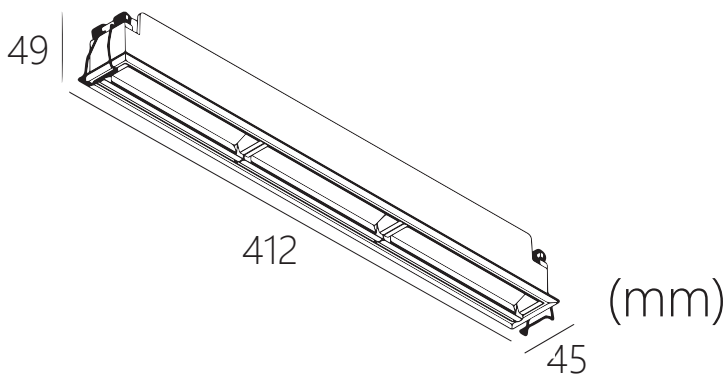
	P	Flux	CCT	Beam	Color	mA
RA-WW30	30W	1950lm	2700K	wall washer	B/W	600mA
	30W	2000lm	3000K	wall washer	B/W	600mA
	30W	2100lm	4000K	wall washer	B/W	600mA

LED | UGR < 19 | IP20 | RA > 90 | Rf > 90 | Rg > 90 | 110-130V | 220-240V | L80B20 | > 50.000h | 3V/LED | 
 MacAdam Step 3 | DIMMABLE | wall washer

## RA-WW20



## RA-WW30



### OPTIONS

- 1 No DIM
- 2 DIM DALI
- 3 Bluetooth
- 4 0-10V
- 5 TRIAC

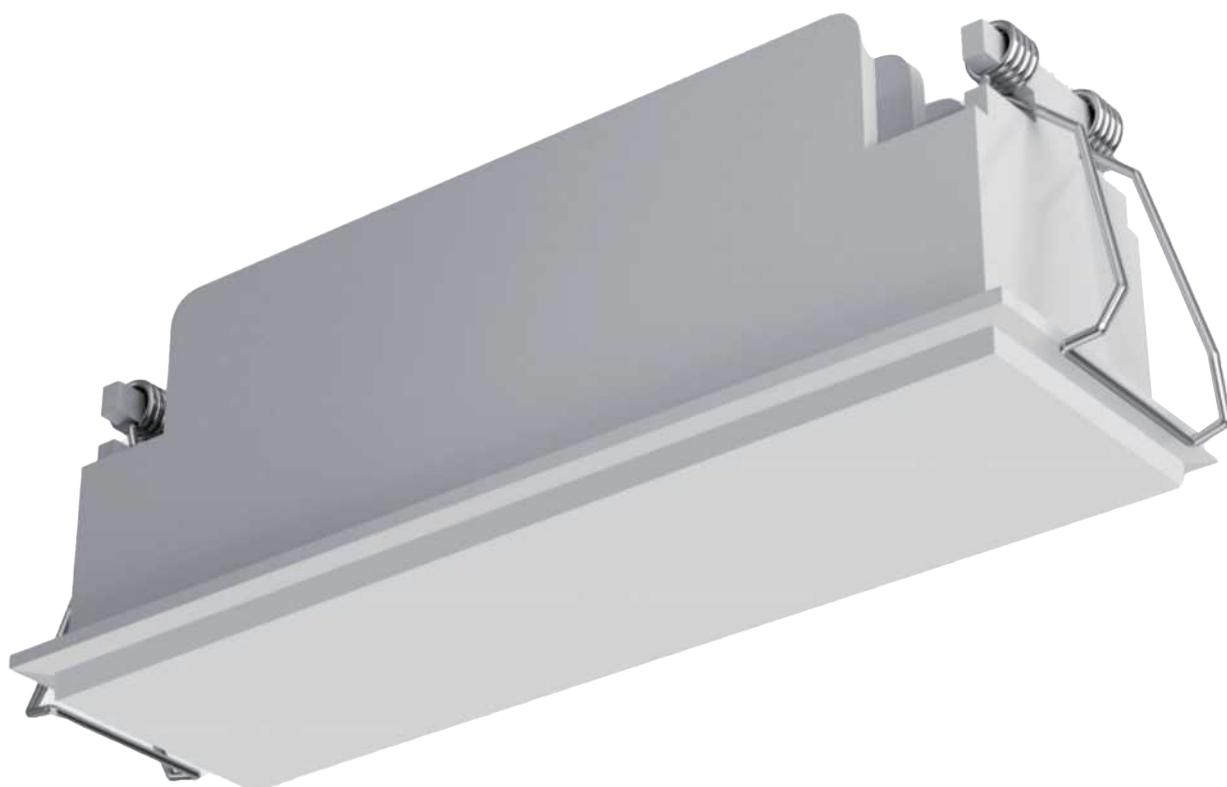


COLOUR | BK  WH  |

MATERIAL | AL |

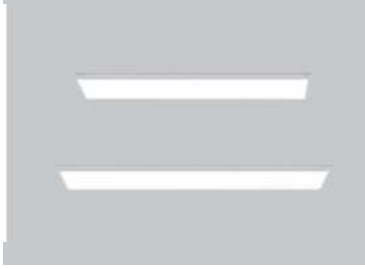
RASTER

IES files PLEASE CONSULT



# RASTER ACRYLIC

Change the optics RASTER is available in general lighting. Perfect light out-put, more brightness.



	P	Flux	CCT	Beam	Color	mA
RA-ACR10	10W	600lm	2700K	120°	B/W	700mA
	10W	650lm	3000K	120°	B/W	700mA
	10W	700lm	4000K	120°	B/W	700mA

LED | UGR < 19 | IP20 | RA > 90 | Rf > 90 Rg > 90 | 110-130V 220-240V | L80B20 > 50.000h | 3V/LED

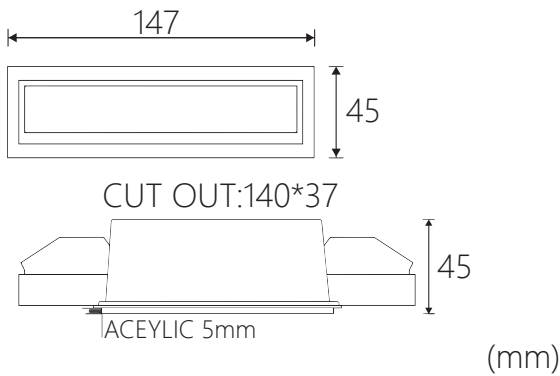


	P	Flux	CCT	Beam	Color	mA
RA-ACR20	20W	1350lm	2700K	120°	B/W	600mA
	20W	1400lm	3000K	120°	B/W	600mA
	20W	1450lm	4000K	120°	B/W	600mA

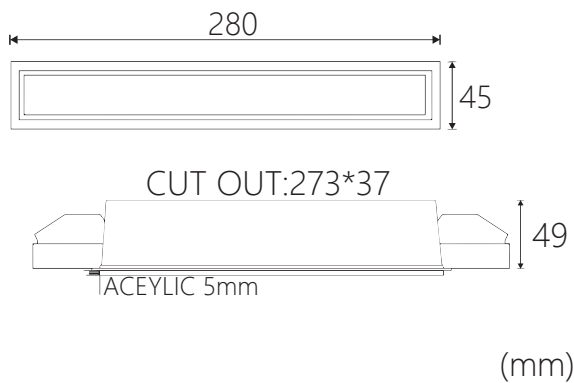
LED | UGR < 19 | IP20 | RA > 90 | Rf > 90 Rg > 90 | 110-130V 220-240V | L80B20 > 50.000h | 3V/LED



## RA-ACR10



## RA-ACR20



### OPTIONS

- 1 No DIM
- 2 DIM DALI
- 3 Bluetooth
- 4 0-10V
- 5 TRIAC







# RASTER PRO

1, 2 or 3 lamps combination available for Raster pro series. Visual installation and performing  $UGR < 19$ . Anti-glare, matt frosted and spread optical accessories are available to match different applications.



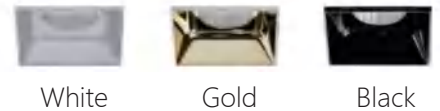


	P	Flux	CCT	Beam	Color	mA
RA-PRO10	10W	700lm	2700K	15°/30°/45°	B/W	250mA
	10W	800lm	3000K	15°/30°/45°	B/W	250mA
	10W	850lm	4000K	15°/30°/45°	B/W	250mA

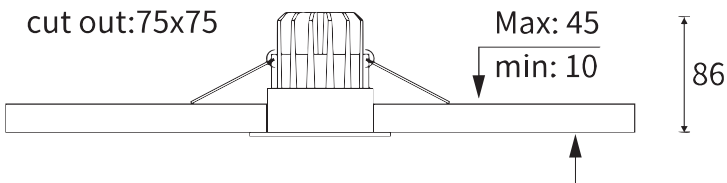
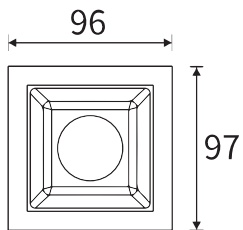
LED | UGR < 19 | IP20 | RA > 90 | Rf > 90 Rg > 90 | 110-130V 220-240V | L80B20 > 50.000h



## HOUSING IN DIFFERENT COLOR



### RA-PRO10



## ACCESSORIES

- Frosted lens
- Square spread lens
- Retangle spread lens

## OPTIONS

- 1 No DIM
- 2 DIM DALI
- 3 Bluetooth
- 4 0-10V
- 5 TRIAC





	P	Flux	CCT	Beam	Color	mA
RA-PRO20	20W	1610lm	2700K	15°/30°/45°	B/W	250mA
	20W	1640lm	3000K	15°/30°/45°	B/W	250mA
	20W	1680lm	4000K	15°/30°/45°	B/W	250mA

LED | UGR < 19 | IP20 | CRI > 90 | L80B20 > 50.000h

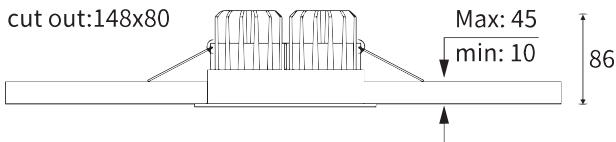
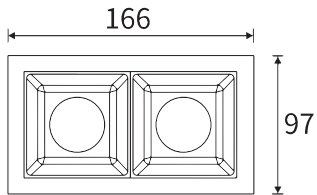


	P	Flux	CCT	Beam	Color	mA
RA-PRO30	30W	2410lm	2700K	15°/30°/45°	B/W	250mA
	30W	2440lm	3000K	15°/30°/45°	B/W	250mA
	30W	2480lm	4000K	15°/30°/45°	B/W	250mA

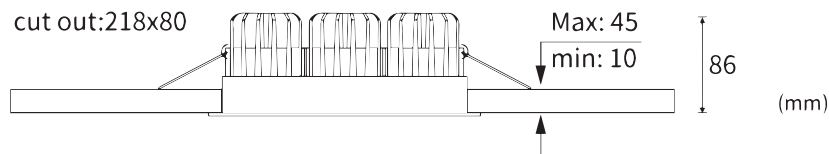
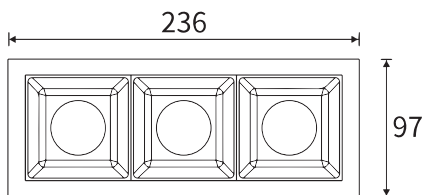
LED | UGR < 19 | IP20 | CRI > 90 | L80B20 > 50.000h



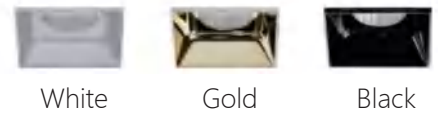
## RA-PRO20



## RA-PRO30



## HOUSING IN DIFFERENT COLOR



## ACCESSORIES

- Frosted lens
- Square spread lens
- Retangle spread lens

## OPTIONS

- 1 No DIM
- 2 DIM DALI
- 3 Bluetooth
- 4 0-10V
- 5 TRIAC





# RASTER PENDANT

Raster pendant is a new version in Raster family. Further will be more options.

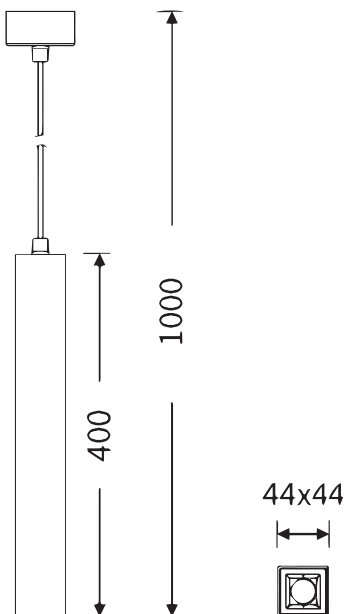


	P	Flux	CCT	Beam	Color	mA
RA-PEN05	5W	280lm	2700K	13°/36°/46°	B/W	150mA
	5W	320lm	3000K	13°/36°/46°	B/W	150mA
	5W	380lm	4000K	13°/36°/46°	B/W	150mA

LED | UGR < 19 | IP20 | CRI > 90 | L80B20 > 50.000h

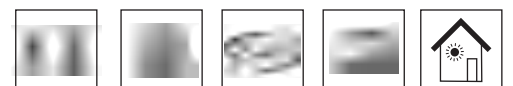


## RA-PEN05



### OPTIONS

- 1 No DIM
- 2 DIM DALI
- 3 Bluetooth
- 4 0-10V
- 5 TRIAC



COLOUR | BK  WH  |

MATERIAL | AL |

RASTER



# Rainbow

VISUAL COMFORT  
THE WOW-EFFECT









The combination of these two elements controls the visual comfort of the downlights. The high precision LEDIL optics directs the light effectively past the ring. This means that white light stays white, even with coloured rings.





# Rainbow

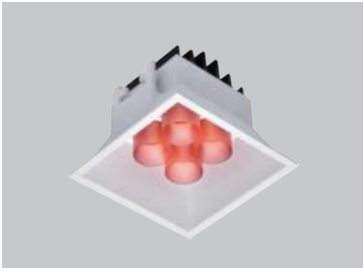


However, the coloured rings does alter the effect of the light, depending on the colour tone, the light gives a different impression, producing less glare. Simply switch on the lights for a real wow effect: the coloured ring reflects the light in such a way that it appears to be lit from within.



# Rainbow

VISUAL COMFORT  
THE WOW-EFFECT



	P	Flux	CCT	Beam	Color	mA
RB-S12	12W	850lm	2700K	15°/25°/30°/40°/50°/60°/80°	W/B	800mA
	12W	900lm	3000K	15°/25°/30°/40°/50°/60°/80°	W/B	800mA
	12W	960lm	4000K	15°/25°/30°/40°/50°/60°/80°	W/B	800mA

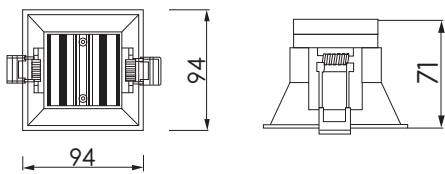
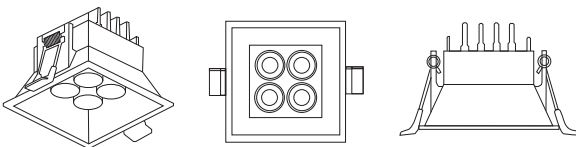
LED | UGR < 19 | IP20 | RA > 90 | Rf > 90 | Rg > 90 | 110-130V | 220-240V | L80B20 | > 50.000h



### Reflector Option



### RB-S12



### OPTIONS

- 1 No DIM
- 2 DIM DALI
- 3 0-10V
- 4 TRIAC





# Rainbow

VISUAL COMFORT  
THE WOW-EFFECT



	P	Flux	CCT	Beam	Color	mA
RA-TR08	8W	610lm	2700K	15°/25°/30°/40°/50°/60°/80°	W/B	650mA
	8W	640lm	3000K	15°/25°/30°/40°/50°/60°/80°	W/B	650mA
	8W	680lm	4000K	15°/25°/30°/40°/50°/60°/80°	W/B	650mA

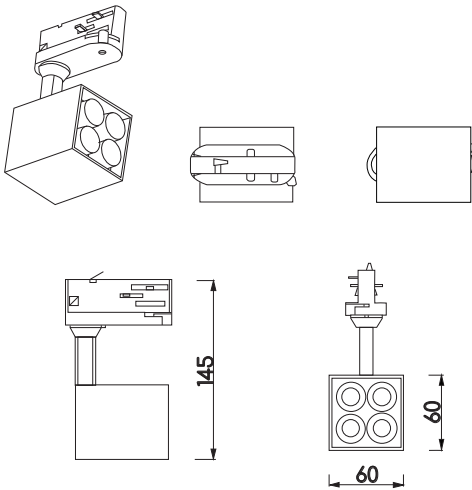
LED | UGR < 19 | IP20 | RA > 90 | Rf > 90 | Rg > 90 | 110-130V | 220-240V | L80B20 | > 50.000h

MacAdam Step 3 | DIMMABLE | 15°/25°/30°/40°/50°/60°/80° | 350° | 90°

### REFLECOTR OPTION



### RA-TR08

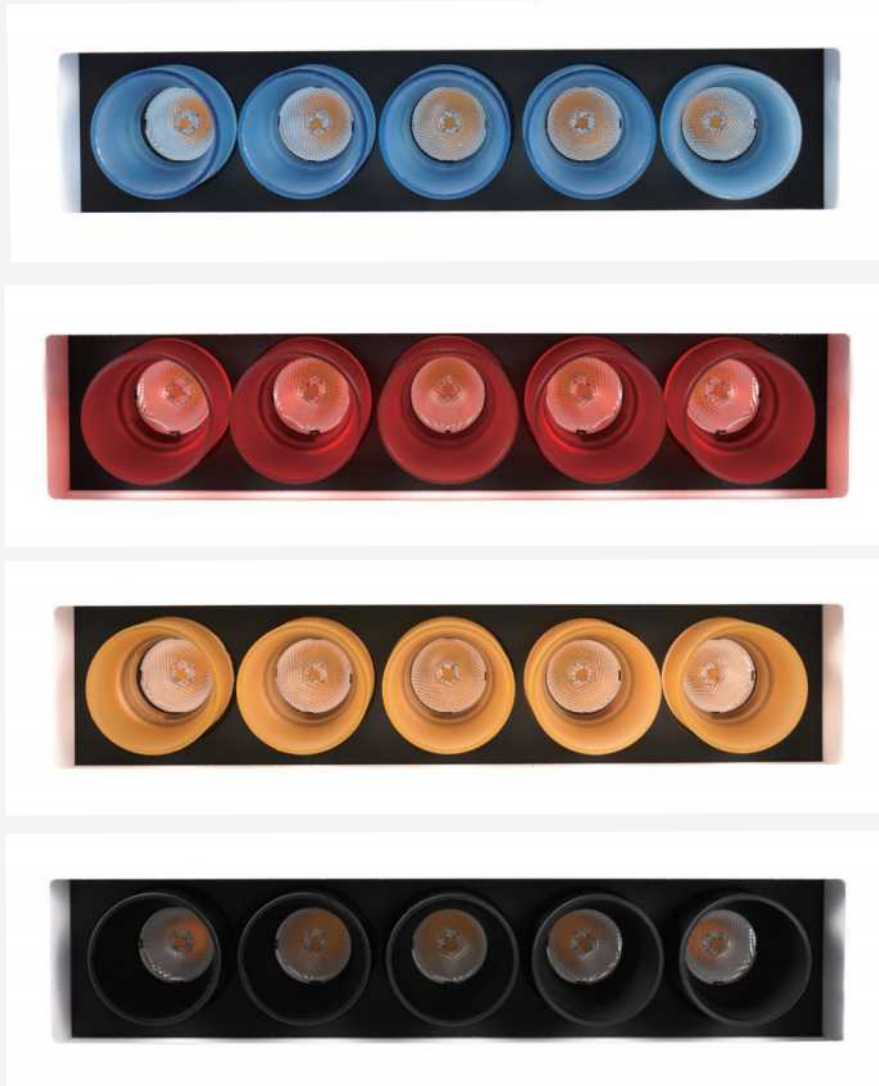


### OPTIONS

- 1 No DIM
- 2 DIM DALI
- 3 0-10V
- 4 TRIAC







Colors and glare-free lighting sets a stylish scene, and that's what the Rainbow family is all about. These downlights owe their special effect to the interplay between an accurate LEDIL lens and the fitting rings in front of it. The rings in these lights are visible from exterior and can be personalized in a range of colors.



	P	Flux	CCT	Beam	Color	mA
RB-L15	15W	1000lm	2700K	15°/25°/30°/40°/50°/60°/80°	W/B	700mA
	15W	1100lm	3000K	15°/25°/30°/40°/50°/60°/80°	W/B	700mA
	15W	1200lm	4000K	15°/25°/30°/40°/50°/60°/80°	W/B	700mA



UGR < 19



RA > 90

Rf > 90  
Rg > 90

110-130V  
220-240V

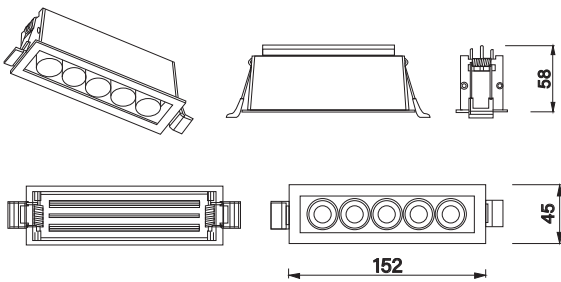
L80B20  
> 50.000h



### RELECTOR OPTION



### RB-L15



### OPTIONS

- 1 No DIM
- 2 DIM DALI
- 3 0-10V
- 4 TRIAC







# PROLIGHT

# Various Combinations

Bezel  
+  
LED Engine  
+  
Optical Flim  
+  
Reflector  
=  


# 108288













# COLOR, J

Self-contained lamp body in vari

A 3D rendering of several industrial lighting fixtures against a black background. The fixtures are shown in various colors: white, grey, and red. One fixture is shown in a cutaway view, revealing a yellow interior. The fixtures have a rugged, industrial design with perforated surfaces and adjustable components.

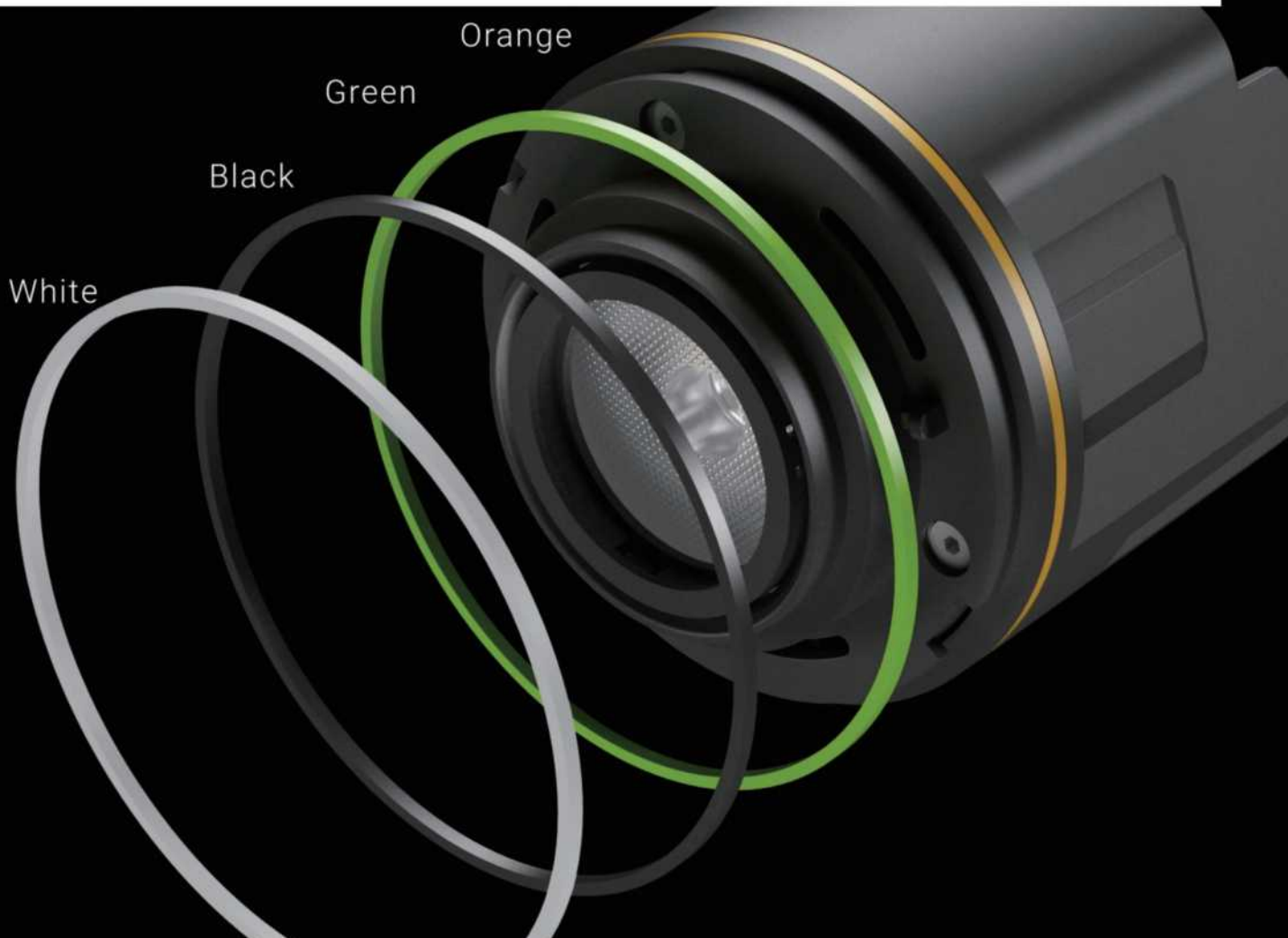
# JUST PLAY

ous colors with industrial design.




# PROLIGHT

Self-contained LED engine in four colours with industrial design







A close-up photograph of a dark-colored lighting fixture. The image shows a complex assembly of metal or plastic parts. A white horizontal line points from the left towards a specific joint or connector. Numerous small, clear water droplets are scattered across the surfaces, particularly around the connector, illustrating the waterproofing capability. The background is dark and out of focus.

Waterproof connector to prevent water infiltration

**IP 65**

# Perfect optical control



8°

Ultra narrow



15°

Narrow spot

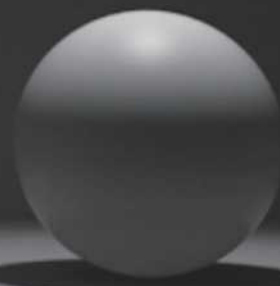


24°

Spot



36°  
Flood



50°  
Wide flood



# Deep Anti-glare

UGR<9, cutoff angle>40°

Offers excellent visual comfort











Fixed LED Engine



Adjustable LED Engine



Fixed reflector

Adjustable reflector

Fixed reflector

Adjustable reflector



### REFLECTORS IN DIFFERENT COLOR



Chrome



Silver



White



Black



Gold



Orange-red



Light grey



---

Optional accessories give the design flexibility in combination of different luminaires.

Anti-glare sleeve achieves cut-off angle  $>40^\circ$ , UGR  $<6$ .  
The lighting tool for perfectly glare-free light from ceiling



	P	Flux	CCT	Beam	Color	mA
PRO-FR09	9W	710lm	2700K	15°/24°/36°/60°	WB	200mA
	9W	740lm	3000K	15°/24°/36°/60°	WB	200mA
	9W	780lm	4000K	15°/24°/36°/60°	WB	200mA

LED | UGR<10 | IP20  
IP65 | RA>90 R9>50 | Rf>90 Rg>90 | 110-130V 220-240V | L80B20 >50.000h |
 MacAdam Step 3 | DIMMABLE | 15°/24°/36°/60° | Adjustable



	P	Flux	CCT	Beam	Color	mA
PRO-TR09	9W	710lm	2700K	15°/24°/36°/60°	WB	200mA
	9W	740lm	3000K	15°/24°/36°/60°	WB	200mA
	9W	780lm	4000K	15°/24°/36°/60°	WB	200mA

LED | UGR<10 | IP20  
IP65 | RA>90 R9>50 | Rf>90 Rg>90 | 110-130V 220-240V | L80B20 >50.000h |
 MacAdam Step 3 | DIMMABLE | 15°/24°/36°/60° | Adjustable

Optical Accessories



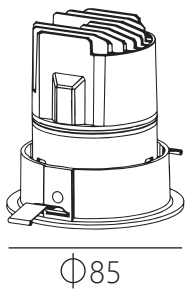
Secondary Reflector



Reflector color

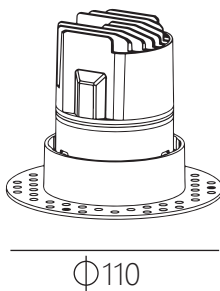


PRO-FR09



91  
 $\phi 75$   
 (mm)

PRO-TR09



91  
 $\phi 75$   
 (mm)

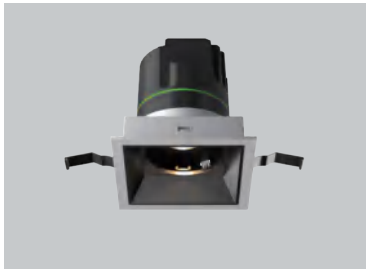
OPTIONS

- 1 No DIM
- 2 DIM DALI
- 3 0-10V
- 4 TRIAC









	P	Flux	CCT	Beam	Color	mA
PRO-FS09	9W	710lm	2700K	15°/24°/36°/60°	WB	200mA
	9W	740lm	3000K	15°/24°/36°/60°	WB	200mA
	9W	780lm	4000K	15°/24°/36°/60°	WB	200mA

LED | UGR<10 | IP20  
IP65 | RA>90 | Rf>90 | 110-130V | L80B20  
R9>50 | Rg>90 | 220-240V | >50.000h

MacAdam Step 3 | DIMMABLE | 15°/24°/36°/60° | Adjustable

	P	Flux	CCT	Beam	Color	mA
PRO-TS09	9W	710lm	2700K	15°/24°/36°/60°	WB	200mA
	9W	740lm	3000K	15°/24°/36°/60°	WB	200mA
	9W	780lm	4000K	15°/24°/36°/60°	WB	200mA

LED | UGR<10 | IP20  
IP65 | RA>90 | Rf>90 | 110-130V | L80B20  
R9>50 | Rg>90 | 220-240V | >50.000h

MacAdam Step 3 | DIMMABLE | 15°/24°/36°/60° | Adjustable

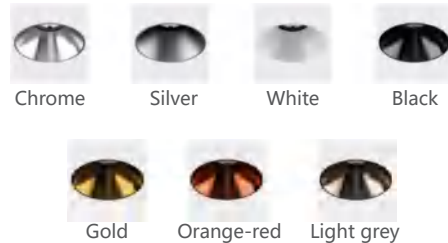
Optical Accessories



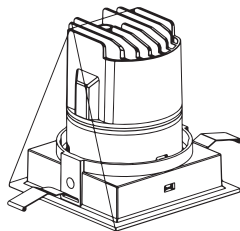
Secondary Reflector



Reflector color



PRO-FS09

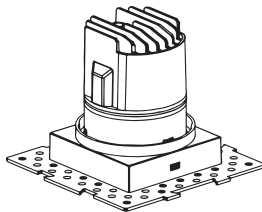


85\*85

91  
75\*75

(mm)

PRO-TS09



114\*114

91  
75\*75

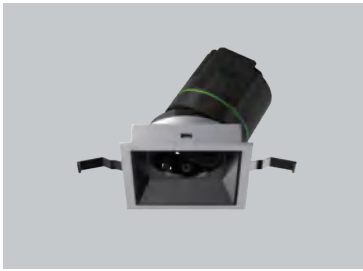
(mm)

OPTIONS

- 1 No DIM
- 2 DIM DALI
- 3 0-10V
- 4 TRIAC







	P	Flux	CCT	Beam	Color	mA
PRO-AS09	9W	710lm	2700K	15°/24°/36°/60°	WB	200mA
	9W	740lm	3000K	15°/24°/36°/60°	WB	200mA
	9W	780lm	4000K	15°/24°/36°/60°	WB	200mA

LED | UGR<10 | IP20 IP65 | RA>90 R9>50 | Rf>90 Rg>90 | 110-130V 220-240V | L80B20 >50.000h | 
 MacAdam Step 3 | DIMMABLE | 15°/24°/36°/60° | Adjustable

	P	Flux	CCT	Beam	Color	mA
PRO-ATS09	9W	710lm	2700K	15°/24°/36°/60°	WB	200mA
	9W	740lm	3000K	15°/24°/36°/60°	WB	200mA
	9W	780lm	4000K	15°/24°/36°/60°	WB	200mA

LED | UGR<10 | IP20 IP65 | RA>90 R9>50 | Rf>90 Rg>90 | 110-130V 220-240V | L80B20 >50.000h | 
 MacAdam Step 3 | DIMMABLE | 15°/24°/36°/60° | Adjustable

Optical Accessories



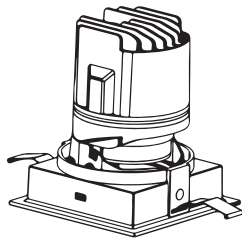
Secondary Reflector



Reflector color



PRO-AS09

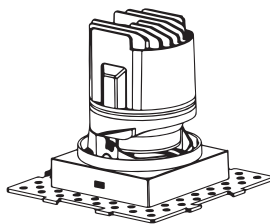


85\*85

91 75\*75

(mm)

PRO-ATS09



114\*114

91 75\*75

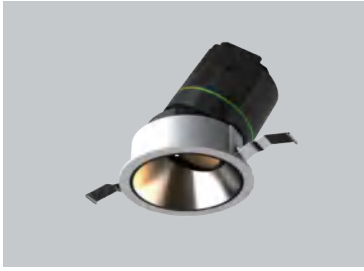
(mm)

OPTIONS

- 1 No DIM
- 2 DIM DALI
- 3 0-10V
- 4 TRIAC







	P	Flux	CCT	Beam	Color	mA
PRO-AR09	9W	710lm	2700K	15°/24°/36°/60°	WB	200mA
	9W	740lm	3000K	15°/24°/36°/60°	WB	200mA
	9W	780lm	4000K	15°/24°/36°/60°	WB	200mA

LED | UGR<10 | IP20 IP65 | RA>90 R9>50 | Rf>90 Rg>90 | 110-130V 220-240V | L80B20 >50.000h | 
 MacAdam Step 3 | DIMMABLE | 15°/24°/36°/60° | Adjustable

	P	Flux	CCT	Beam	Color	mA
PRO-ATR09	9W	710lm	2700K	15°/24°/36°/60°	WB	200mA
	9W	740lm	3000K	15°/24°/36°/60°	WB	200mA
	9W	780lm	4000K	15°/24°/36°/60°	WB	200mA

LED | UGR<10 | IP20 IP65 | RA>90 R9>50 | Rf>90 Rg>90 | 110-130V 220-240V | L80B20 >50.000h | 
 MacAdam Step 3 | DIMMABLE | 15°/24°/36°/60° | Adjustable

Optical Accessories



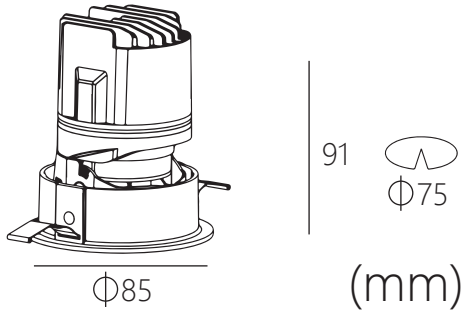
Secondary Reflector



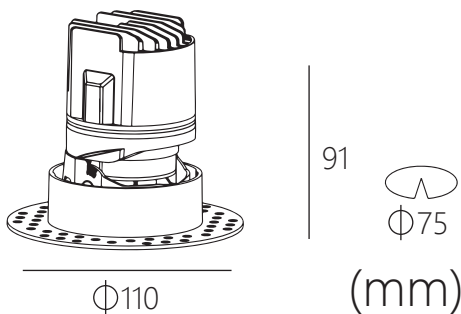
Reflector color



PRO-AR09



PRO-ATR09



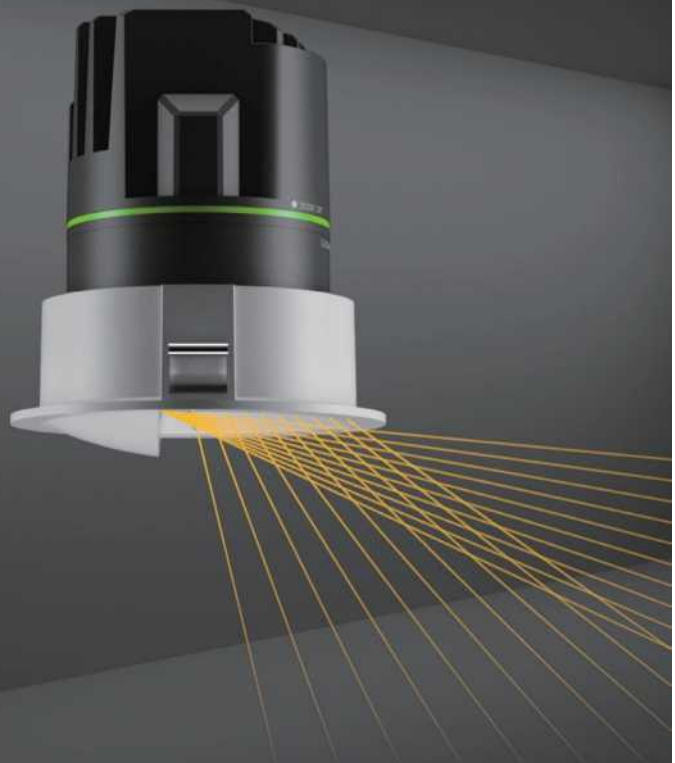
OPTIONS

- 1 No DIM
- 2 DIM DALI
- 3 0-10V
- 4 TRIAC



## Wallwasher

Schematic diagram of optical path





	P	Flux	CCT	Beam	Color	mA
PRO-WWR09	9W	710lm	2700K	Wall Washer	WB	200mA
	9W	740lm	3000K	Wall Washer	WB	200mA
	9W	780lm	4000K	Wall Washer	WB	200mA

LED | UGR<10 | IP20 | 
 RA>90 | Rf>90 | R9>50 | Rg>90 | 
 110-130V | 220-240V | L80B20 | >50.000h

MacAdam Step 3 | DIMMABLE | wall washer

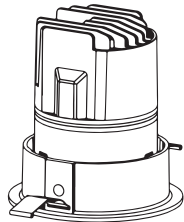


	P	Flux	CCT	Beam	Color	mA
PRO-WWR09	9W	710lm	2700K	Wall Washer	WB	200mA
	9W	740lm	3000K	Wall Washer	WB	200mA
	9W	780lm	4000K	Wall Washer	WB	200mA

LED | UGR<10 | IP20 | 
 RA>90 | Rf>90 | R9>50 | Rg>90 | 
 110-130V | 220-240V | L80B20 | >50.000h

MacAdam Step 3 | DIMMABLE | wall washer

PRO-WWR12



Ø85

91  
  
 Ø75

(mm)

OPTIONS

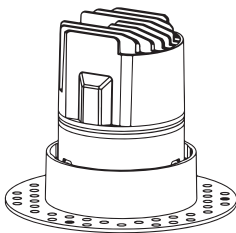
1 No DIM

2 DIM DALI

3 0-10V

4 TRIAC

PRO-WWR12



Ø110

91  
  
 Ø75

(mm)





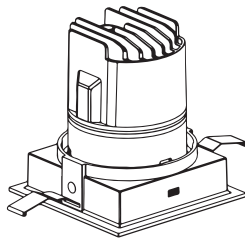
	P	Flux	CCT	Beam	Color	mA
PRO-WWS09	9W	710lm	2700K	Wall Washer	WB	200mA
	9W	740lm	3000K	Wall Washer	WB	200mA
	9W	780lm	4000K	Wall Washer	WB	200mA

LED | UGR < 10 | IP20 | RA > 90 | Rf > 90 | Rg > 90 | 110-130V | L80B20 | 220-240V | > 50.000h

	P	Flux	CCT	Beam	Color	mA
PRO-WWS09	9W	710lm	2700K	Wall Washer	WB	200mA
	9W	740lm	3000K	Wall Washer	WB	200mA
	9W	780lm	4000K	Wall Washer	WB	200mA

LED | UGR < 10 | IP20 | RA > 90 | Rf > 90 | Rg > 90 | 110-130V | L80B20 | 220-240V | > 50.000h

PRO-WWS12

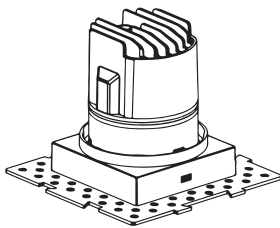


85\*85

91  
75\*75

(mm)

PRO-WWS12



114\*114

91  
75\*75

(mm)

OPTIONS

1 No DIM

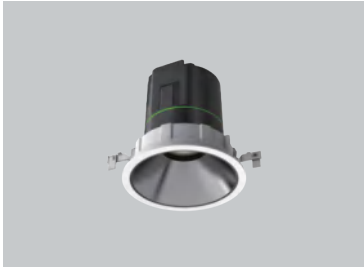
2 DIM DALI

3 0-10V

4 TRIAC







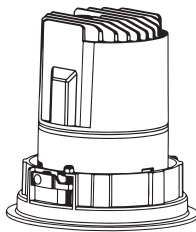
	P	Flux	CCT	Beam	Color	mA
PRO-FR20	20W	1610lm	2700K	15°/24°/36°/60°	WB	200mA
	20W	1640lm	3000K	15°/24°/36°/60°	WB	200mA
	20W	1680lm	4000K	15°/24°/36°/60°	WB	200mA

LED | UGR<10 | IP20 IP65 | RA>90 R9>50 | Rf>90 Rg>90 | 110-130V 220-240V | L80B20 >50.000h | 
 MacAdam Step 3 | DIMMABLE | 15°/24°/36°/60° | Adjustable

	P	Flux	CCT	Beam	Color	mA
PRO-FR35	35W	2710lm	2700K	15°/24°/36°/60°	WB	200mA
	35W	2740lm	3000K	15°/24°/36°/60°	WB	200mA
	35W	2780lm	4000K	15°/24°/36°/60°	WB	200mA

LED | UGR<10 | IP20 IP65 | RA>90 R9>50 | Rf>90 Rg>90 | 110-130V 220-240V | L80B20 >50.000h | 
 MacAdam Step 3 | DIMMABLE | 15°/24°/36°/60° | Adjustable

PRO-FR20

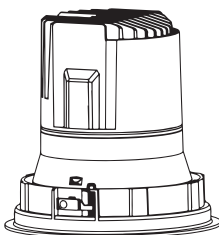


Ø115

119 Ø105

(mm)

PRO-FR35



Ø160

156 Ø150

(mm)

Optical Accessories



Honey comb

Secondary Reflector



Direct

Reflector color



Chrome

OPTIONS

- 1 No DIM
- 2 DIM DALI
- 3 0-10V
- 4 TRIAC





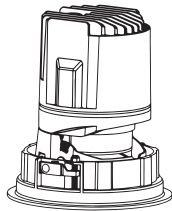
	P	Flux	CCT	Beam	Color	mA
PRO-AR20	20W	1610lm	2700K	15°/24°/36°/60°	WB	200mA
	20W	1640lm	3000K	15°/24°/36°/60°	WB	200mA
	20W	1680lm	4000K	15°/24°/36°/60°	WB	200mA

LED | UGR<10 | IP20 IP65 | RA>90 R9>50 | Rf>90 Rg>90 | 110-130V 220-240V | L80B20 >50.000h | 
 MacAdam Step 3 | DIMMABLE | 15°/24°/36°/60° | Adjustable

	P	Flux	CCT	Beam	Color	mA
PRO-FAR35	35W	2710lm	2700K	15°/24°/36°/60°	WB	200mA
	35W	2740lm	3000K	15°/24°/36°/60°	WB	200mA
	35W	2780lm	4000K	15°/24°/36°/60°	WB	200mA

LED | UGR<10 | IP20 IP65 | RA>90 R9>50 | Rf>90 Rg>90 | 110-130V 220-240V | L80B20 >50.000h | 
 MacAdam Step 3 | DIMMABLE | 15°/24°/36°/60° | Adjustable

PRO-AR20

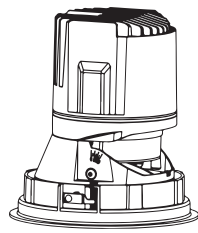


Ø115

129  
Ø105

(mm)

PRO-FAR35



Ø160

172  
Ø150

(mm)

Optical Accessories



Honey comb

Secondary Reflector



Direct

Reflector color



Chrome

OPTIONS

1 No DIM

2 DIM DALI

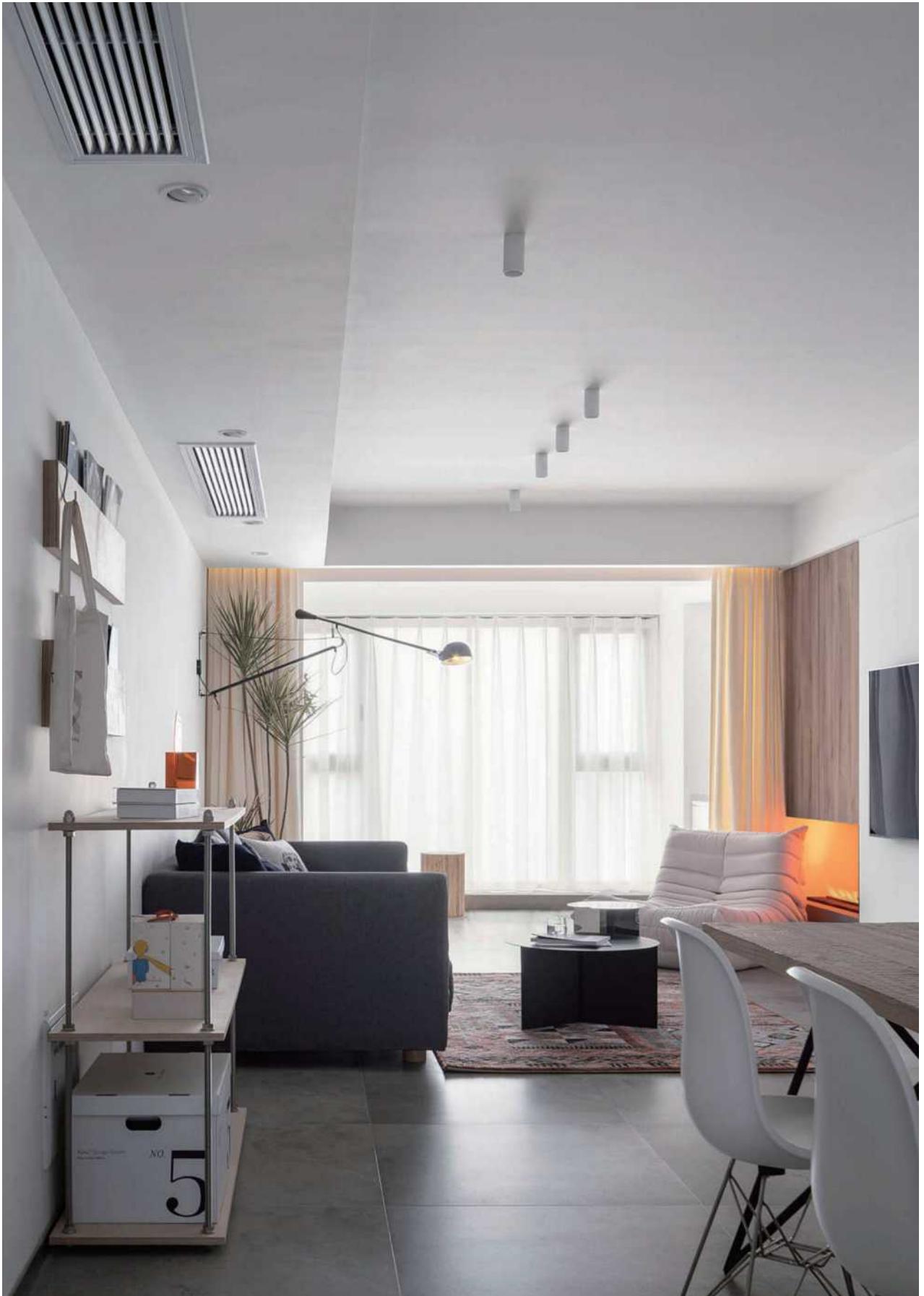
3 0-10V

4 TRIAC

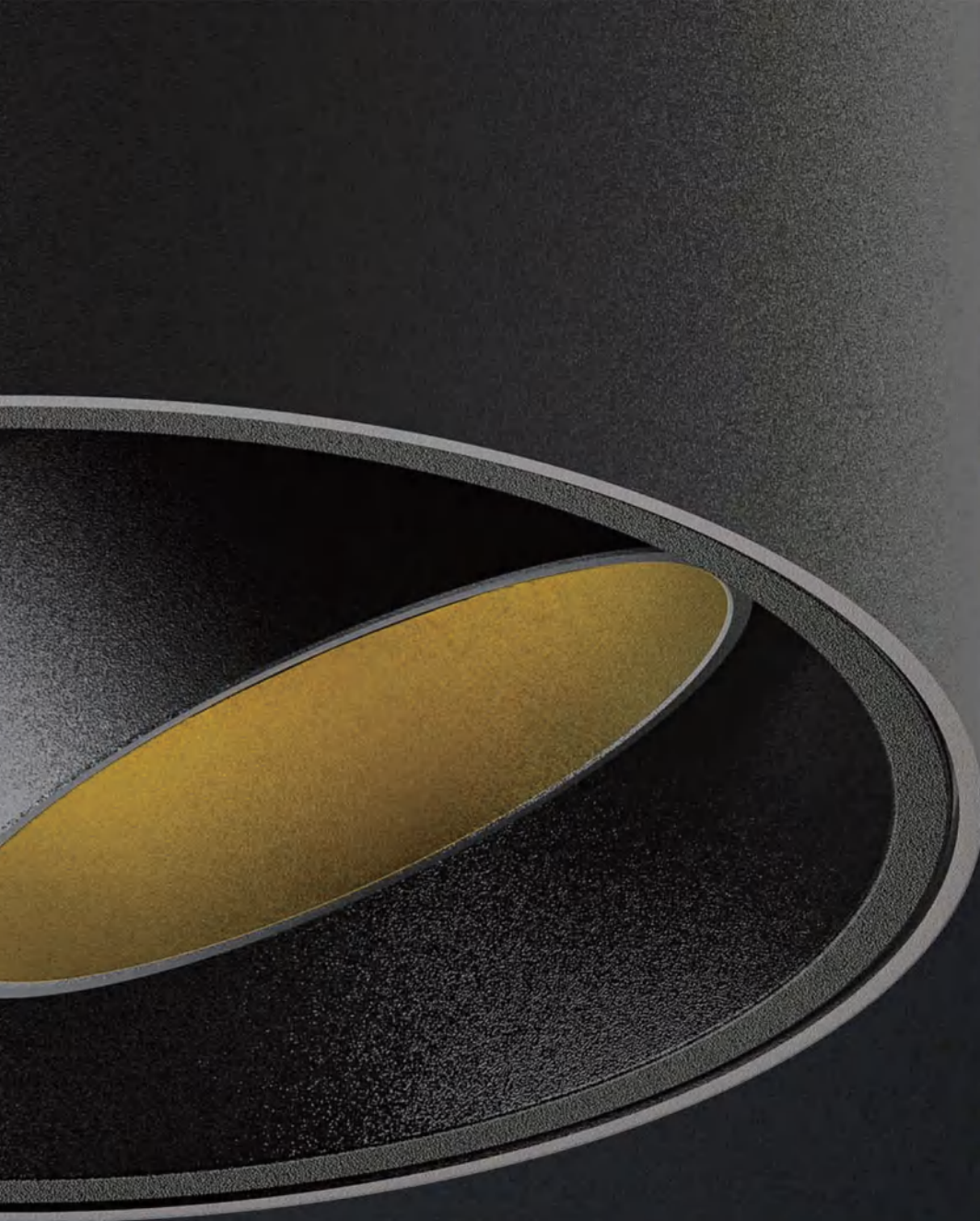


# CANVAS









# CANVAS

**Modern adjustable surface mounted spot light**

---

Swing angle of 0-30° , horizontal rotation of 355°

Honeycomb and spread lens for different lighting effects.

Different specifications optional

Classic black and white housing colors, simple, high-end and fashionable



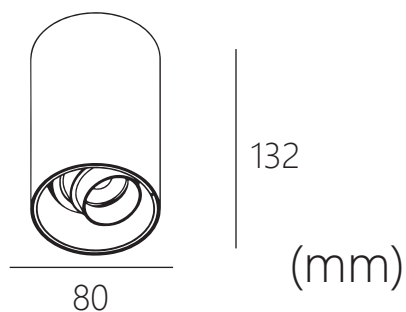


	P	Flux	CCT	Beam	Color	mA
CAN-10	10W	700lm	2700K	15°/24°/36°/50°	W/B	250mA
	10W	750lm	3000K	15°/24°/36°/50°	W/B	250mA
	10W	800lm	4000K	15°/24°/36°/50°	W/B	250mA

LED | UGR < 19 | IP20 | RA > 90 | Rf > 90 | Rg > 90 | 110-130V | 220-240V | L80B20 | > 50.000h

MacAdam Step 3 | DIMMABLE | 15°/24°/36°/50° | Adjustable

## CAN-10



### OPTIONS

- 1 No DIM
- 2 DIM DALI
- 3 0-10V





# COOLER





# COOLER

COOLER is using special smoke color reflector. The sleek housing takes care of cooling, ensuring the best possible conditions for LED. Available in round and square, surface mounted to the ceiling.





	P	Flux	CCT	Beam	Color	mA
COO-S10	10W	600lm	2700K	15°/30°/45°	W/B	500mA
	10W	650lm	3000K	15°/30°/45°	W/B	500mA
	10W	700lm	4000K	15°/30°/45°	W/B	500mA

LED | UGR < 19 | IP20 | RA > 90 | Rf > 90 | Rg > 90 | 110-130V | 220-240V | L80B20 | > 50.000h

MacAdam Step 3 | DIMMABLE | 15°/30°/45°

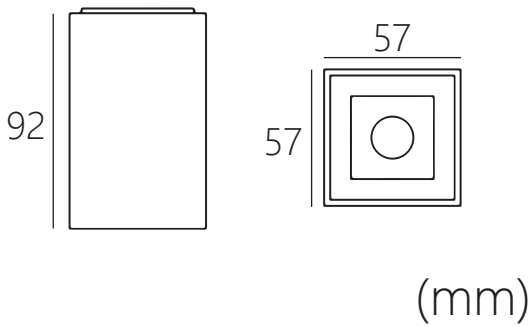


	P	Flux	CCT	Beam	Color	mA
COO-S15	15W	1000lm	2700K	15°/30°/45°	W/B	600mA
	15W	1050lm	3000K	15°/30°/45°	W/B	600mA
	15W	1100lm	4000K	15°/30°/45°	W/B	600mA

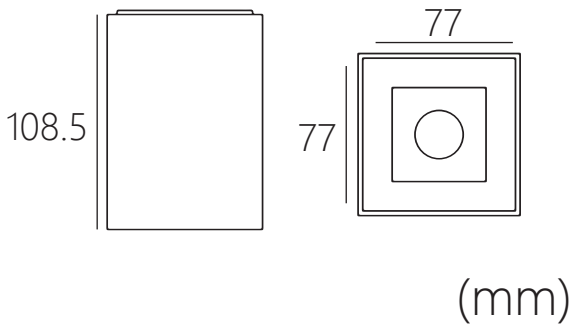
LED | UGR < 19 | IP20 | RA > 90 | Rf > 90 | Rg > 90 | 110-130V | 220-240V | L80B20 | > 50.000h

MacAdam Step 3 | DIMMABLE | 15°/30°/45°

COO-S10



COO-S15



OPTIONS

- 1 No DIM
- 2 TRIAC
- 3 0-10V





# COOLER



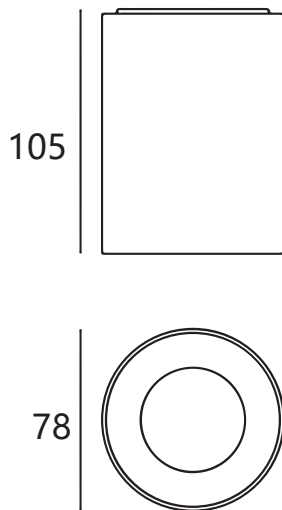


	P	Flux	CCT	Beam	Color	mA
COO-R10	10W	650lm	2700K	15°/24°/36°	W/B	250mA
	10W	700lm	3000K	15°/24°/36°	W/B	250mA
	10W	750lm	4000K	15°/24°/36°	W/B	250mA

LED | UGR < 19 | IP20 | RA > 90 | Rf > 90 | Rg > 90 | 110-130V | 220-240V | L80B20 | > 50.000h

MacAdam Step 3 | DIMMABLE | 15°/24°/36°

COO-R10



OPTIONS

- 1 No DIM
- 2 TRIAC
- 3 0-10V





	P	Flux	CCT	Beam	Color	mA
COO-R15	15W	1050lm	2700K	15°/24°/36°	W/B	500mA
	15W	1100lm	3000K	15°/24°/36°	W/B	500mA
	15W	1150lm	4000K	15°/24°/36°	W/B	500mA

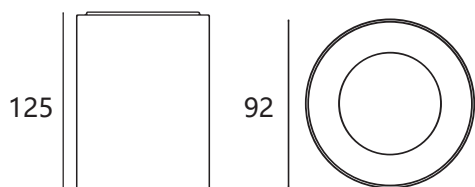
LED | UGR < 19 | IP20 | RA > 90 | Rf > 90 | Rg > 90 | 110-130V | 220-240V | L80B20 | > 50.000h



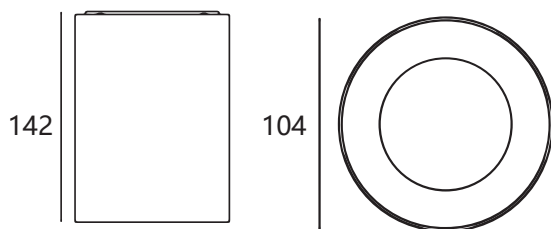
	P	Flux	CCT	Beam	Color	mA
COO-R30	30W	2000lm	2700K	15°/24°/36°	W/B	600mA
	30W	2100lm	3000K	15°/24°/36°	W/B	600mA
	30W	2200lm	4000K	15°/24°/36°	W/B	600mA

LED | UGR < 19 | IP20 | RA > 90 | Rf > 90 | Rg > 90 | 110-130V | 220-240V | L80B20 | > 50.000h

## COO-R15



## COO-R30



### OPTIONS

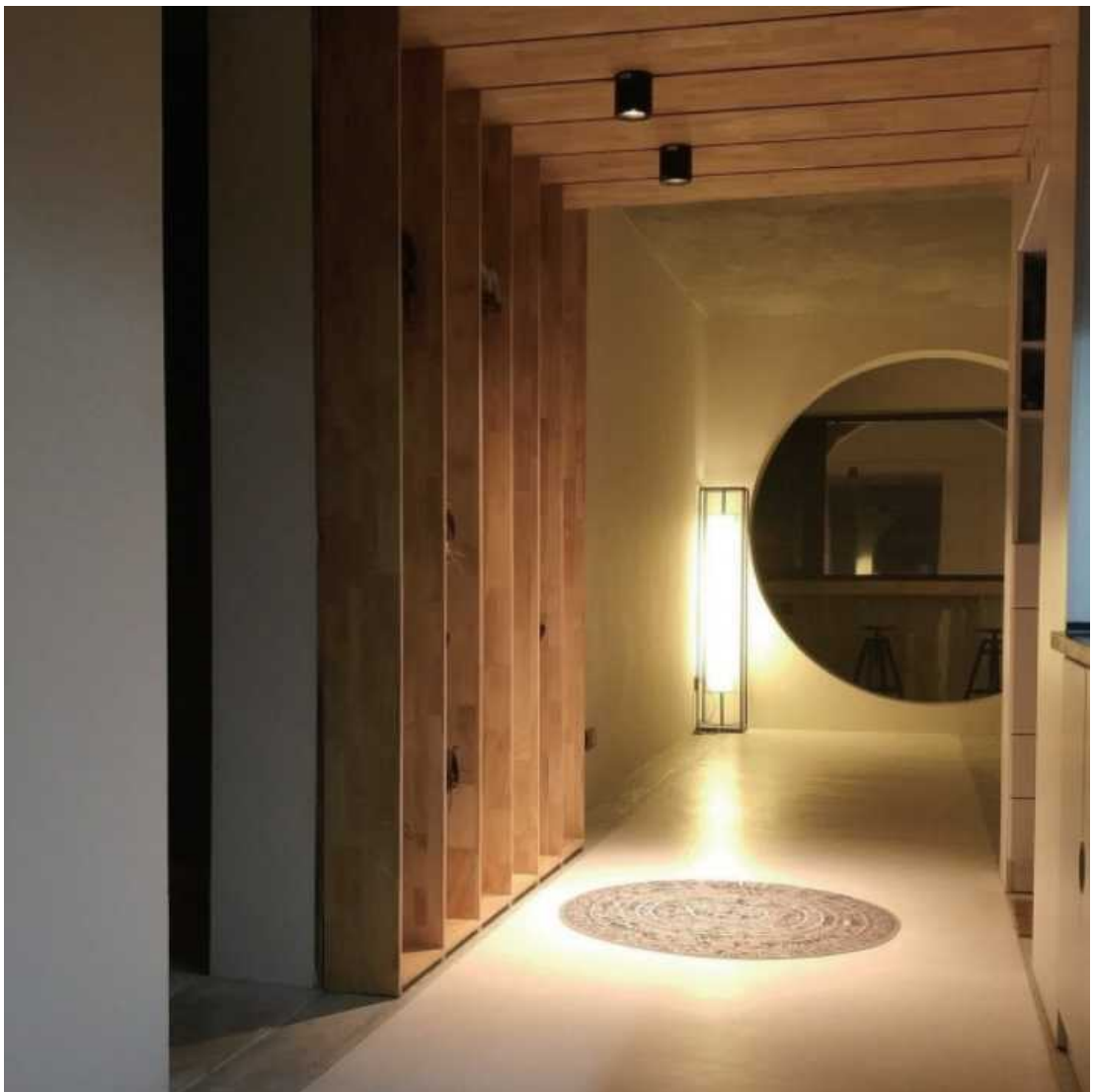
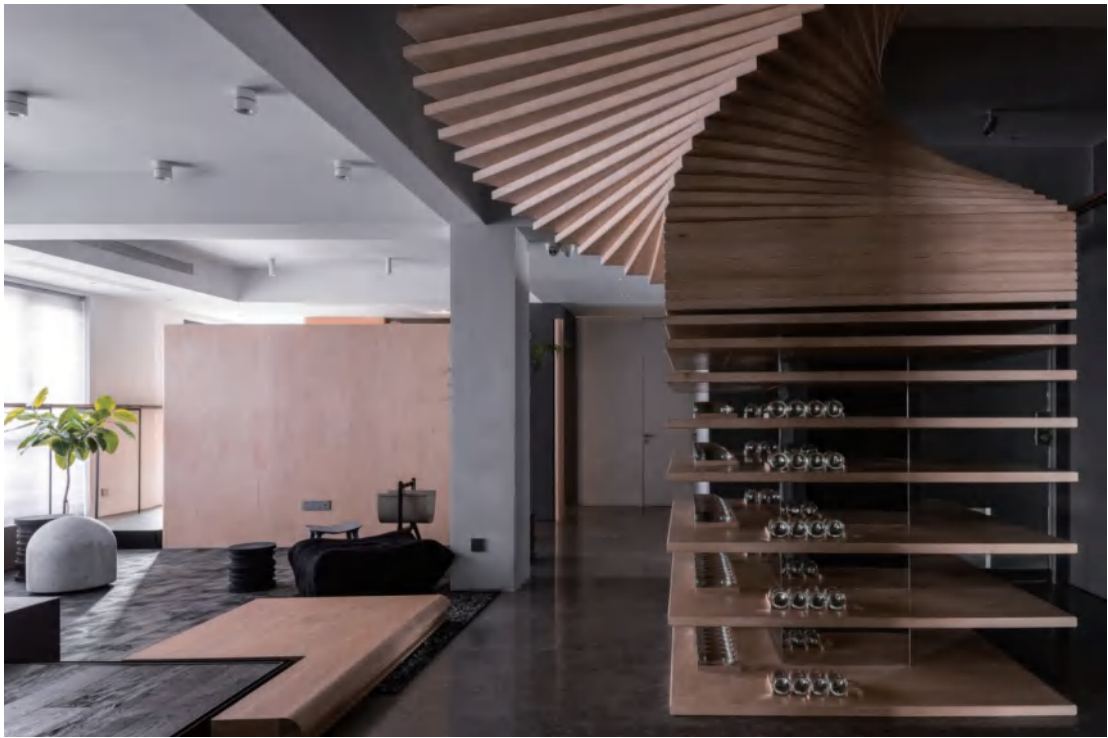
- 1 No DIM
- 2 TRIAC
- 3 0-10V







ROUND





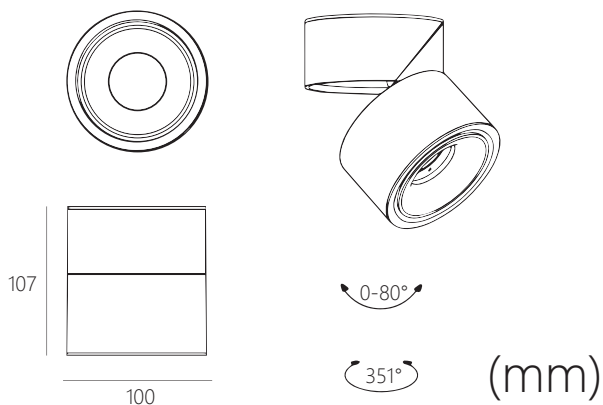
	P	Flux	CCT	Beam	Color	mA
ROU-SUR12	12W	1010lm	2700K	24°	W/B	300mA
	12W	1040lm	3000K	24°	W/B	300mA
	12W	1080lm	4000K	24°	W/B	300mA

LED | UGR<19 | IP20 | RA>90 | Rf>90 | Rg>90 | 110-130V | 220-240V | L80B20 | >50.000h

MacAdam Step 3 | DIMMABLE | 24° | Adjustable



## ROU-SUR12



### OPTIONS

- 1 No DIM
- 2 TRIAC





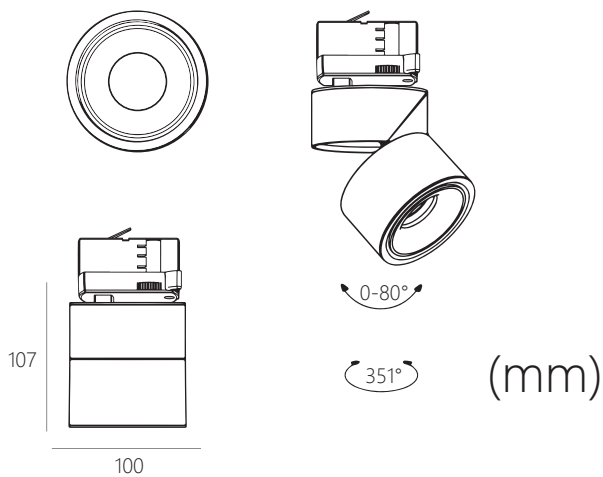
	P	Flux	CCT	Beam	Color	mA
ROU-TR12	12W	1010lm	2700K	24°	W/B	300mA
	12W	1040lm	3000K	24°	W/B	300mA
	12W	1080lm	4000K	24°	W/B	300mA

LED | UGR < 19 | IP20 | RA > 90 | Rf > 90 | Rg > 90 | 110-130V | 220-240V | L80B20 | > 50.000h

MacAdam Step 3 | DIMMABLE | 24° | Adjustable



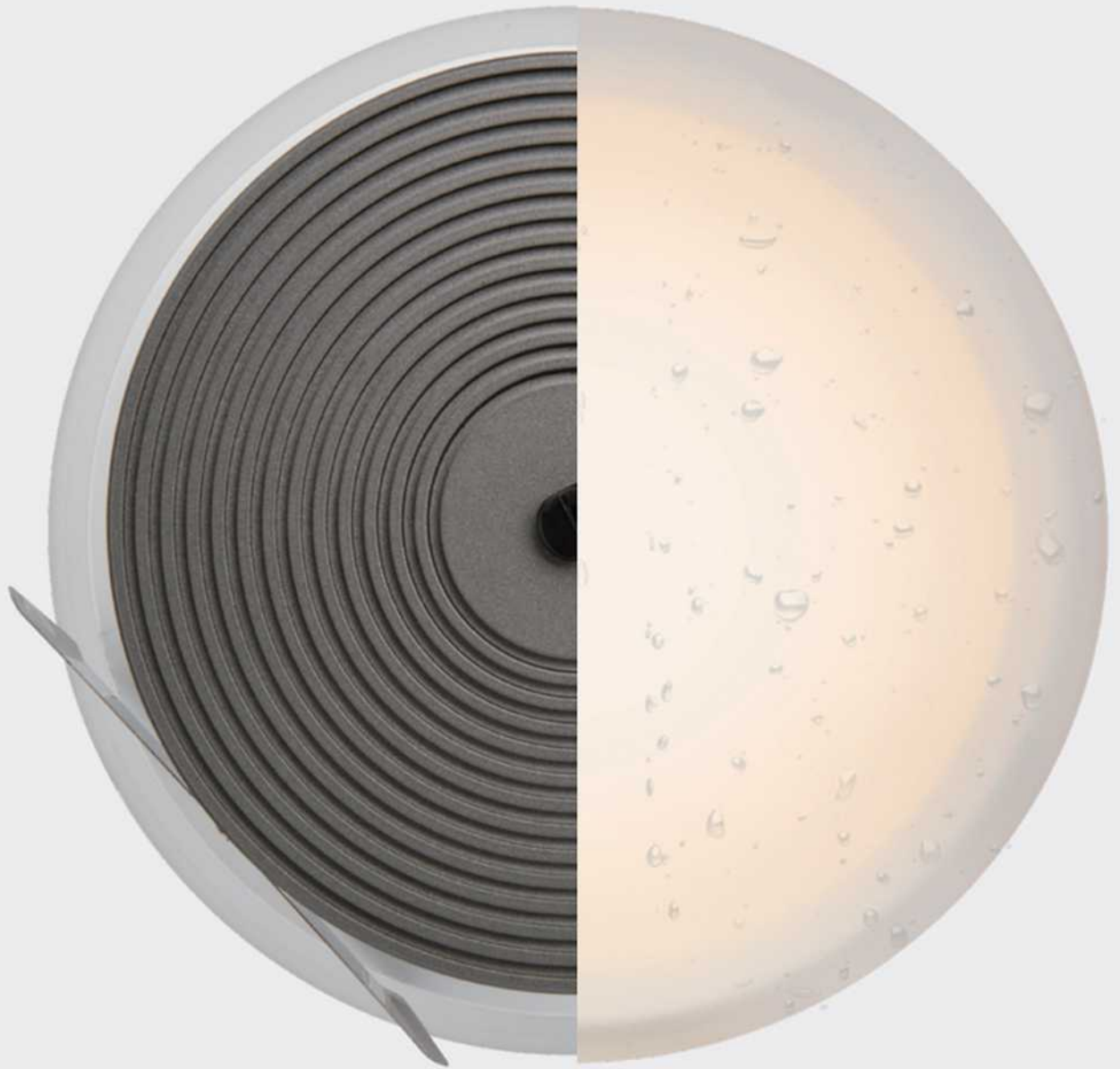
## ROU-TR12



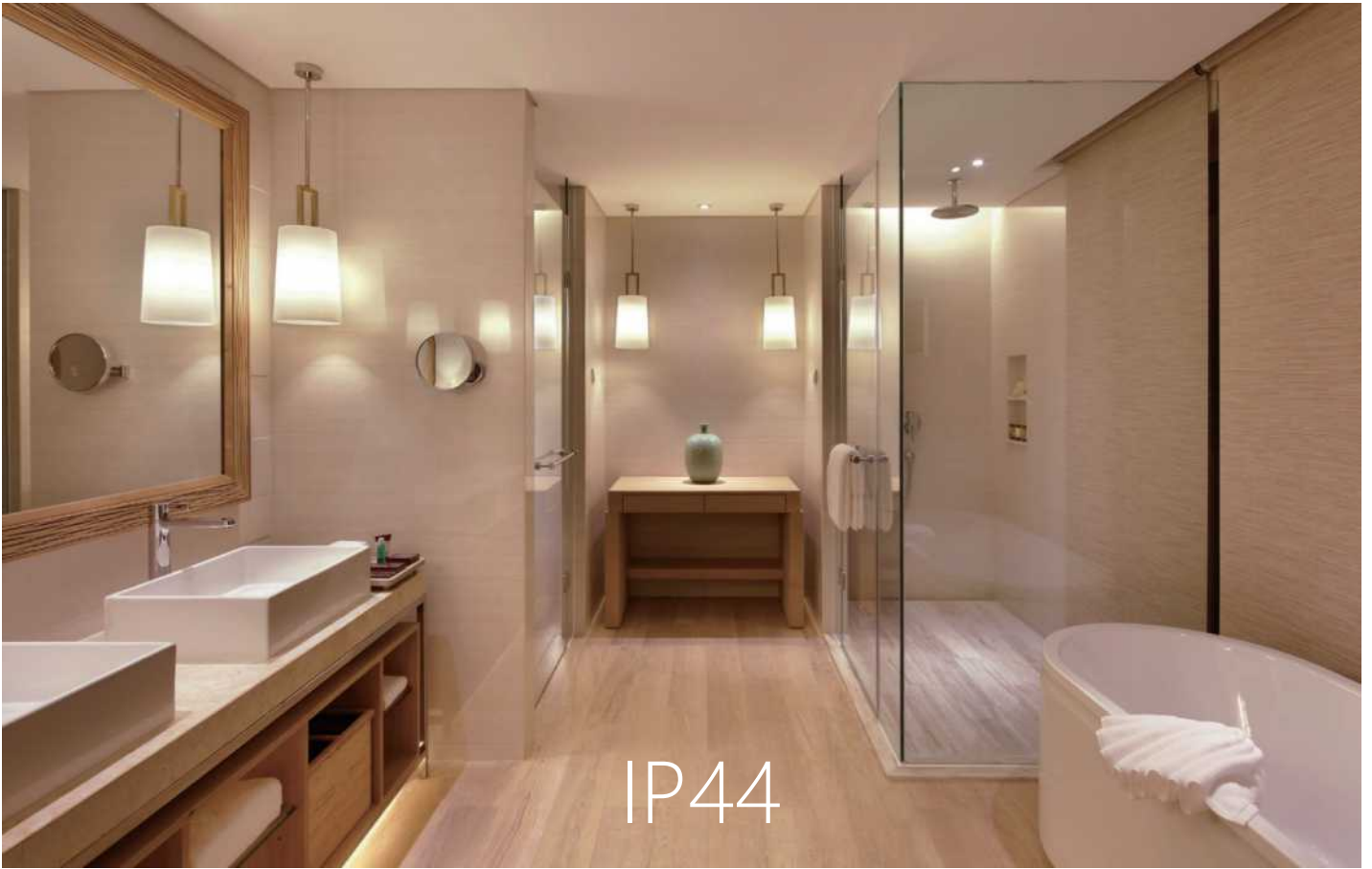
### OPTIONS

- No DIM
- TRIAC





BATH



# Fog-proof downLight

## 1.Heat Dispersion System

- Heat sink in aviation aluminum keeps the LED chip of fitting working with a low temperature and working for a long time.

## 2.LED SMD Chip

- High performance SMD chip creates soft and even optical performance.

## 3.High Quality Material

- High quality acrylic in frosted finishing, Suitable for various height of ceiling.

## 4.IP Rating

- Fitting in Ip44 suits for wet environment.

## 5.Constant LED Driver

- Constant LED driver with power factor $\geq 0.9$  achieves high efficiency..



	P	Flux	CCT	Beam	Color	mA
BATH-03	3W	200lm	2700K	120°	W/B	250mA
	3W	220lm	3000K	120°	W/B	250mA
	3W	240lm	4000K	120°	W/B	250mA

LED | UGR < 22 | IP44 | RA > 90 | Rf > 90 Rg > 90 | 110-130V 220-240V | L80B20 > 50.000h

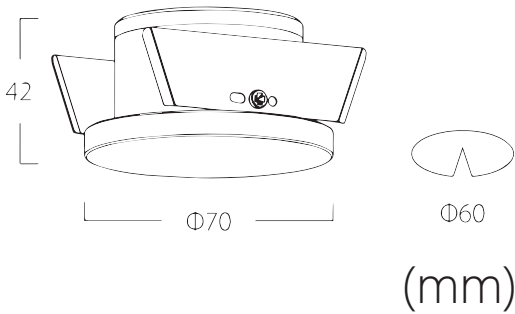


	P	Flux	CCT	Beam	Color	mA
BATH-06	6W	350lm	2700K	120°	W/B	150mA
	6W	400lm	3000K	120°	W/B	150mA
	6W	460lm	4000K	120°	W/B	150mA

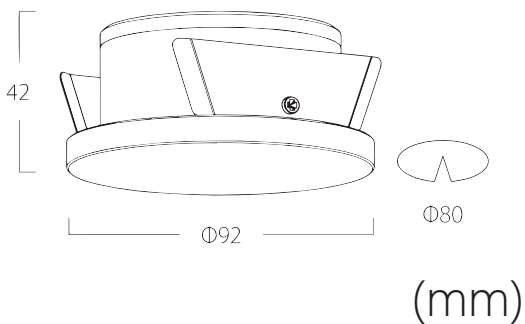
LED | UGR < 22 | IP44 | RA > 90 | Rf > 90 Rg > 90 | 110-130V 220-240V | L80B20 > 50.000h



BATH-03



BATH-06



OPTIONS

1 No DIM

2 DIM DALI

3 0-10V

4 TRIAC





	P	Flux	CCT	Beam	Color	mA
BATH-12	12W	900lm	2700K	120°	W/B	280mA
	12W	950lm	3000K	120°	W/B	280mA
	12W	1000lm	4000K	120°	W/B	280mA

LED | UGR < 22 | IP44 | RA > 90 | Rf > 90 Rg > 90 | 110-130V 220-240V | L80B20 > 50.000h

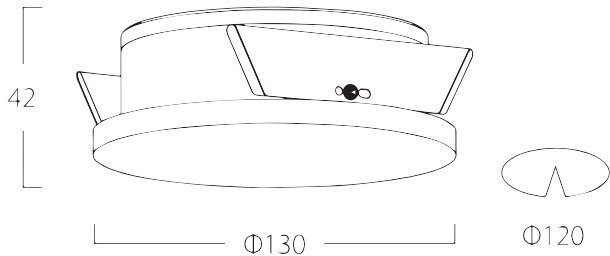


	P	Flux	CCT	Beam	Color	mA
BATH-18	18W	1200lm	2700K	120°	W/B	500mA
	18W	1300lm	3000K	120°	W/B	500mA
	18W	1400lm	4000K	120°	W/B	500mA

LED | UGR < 22 | IP44 | RA > 90 | Rf > 90 Rg > 90 | 110-130V 220-240V | L80B20 > 50.000h

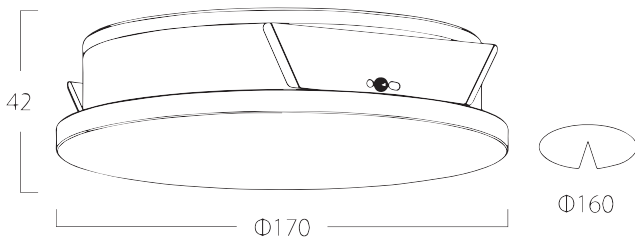


BATH-12



(mm)

BATH-18



(mm)

OPTIONS

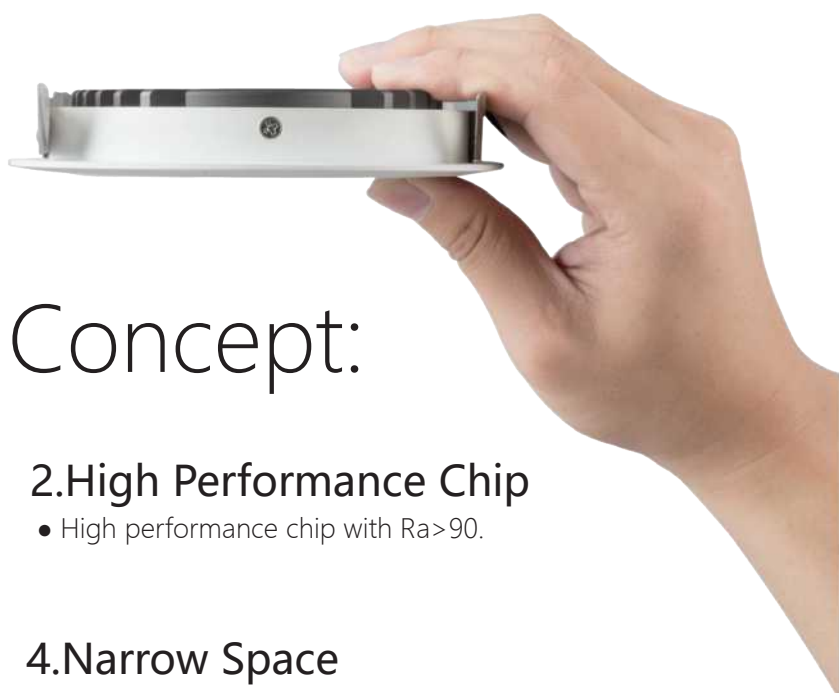
- 1 No DIM
- 2 DIM DALI
- 3 0-10V
- 4 TRIAC







SLIM



## Slim downLight Concept:

### 1. Heat Dispersion System

- Heat sink in aviation aluminum keeps the LED chip of fitting working with a low temperature and working for a long lifetime.

### 3. Multi beam angles

- Beam angle in 10°/20°/30° with precise and concentric speckle.

### 5. Constant LED Driver

- Constant LED driver with internal IC chip.

### 2. High Performance Chip

- High performance chip with Ra>90.

### 4. Narrow Space

- Cutout range from  $\Phi 55$ - $\Phi 125$ mm, suits for small cutout size of ceiling and short distance which is less than 50mm.

### 6. Application

- Suitable for villas, hotels, residential buildings and high upscale clubs.



	P	Flux	CCT	Beam	Color	mA
SLIM-03	3W	200lm	2700K	10°/20°	W	250mA
	3W	215lm	3000K	10°/20°	W	250mA
	3W	225lm	4000K	10°/20°	W	250mA

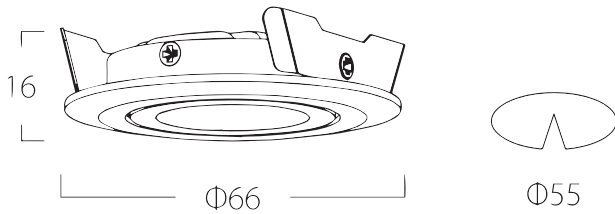
LED | UGR < 19 | IP20 | RA > 90 | Rf > 90 Rg > 90 | 110-130V 220-240V | L80B20 > 50.000h |
 MacAdam Step 3 | DIMMABLE | 10°/20°



	P	Flux	CCT	Beam	Color	mA
SLIM-06	6W	400lm	2700K	10°/20°/36°	W	180mA
	6W	410lm	3000K	10°/20°/36°	W	180mA
	6W	420lm	4000K	10°/20°/36°	W	180mA

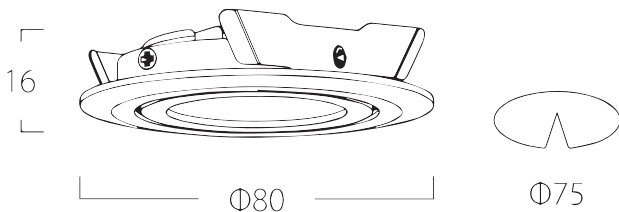
LED | UGR < 19 | IP20 | RA > 90 | Rf > 90 Rg > 90 | 110-130V 220-240V | L80B20 > 50.000h |
 MacAdam Step 3 | DIMMABLE | 10°/20°/36°

SLIM-03



(mm)

SLIM-06



(mm)

OPTIONS

- 1 No DIM
- 2 DIM DALI
- 3 0-10V
- 4 TRIAC





	P	Flux	CCT	Beam	Color	mA
SLIM-08	8W	500lm	2700K	10°/20°/36°	W	200mA
	8W	530lm	3000K	10°/20°/36°	W	200mA
	8W	580lm	4000K	10°/20°/36°	W	200mA

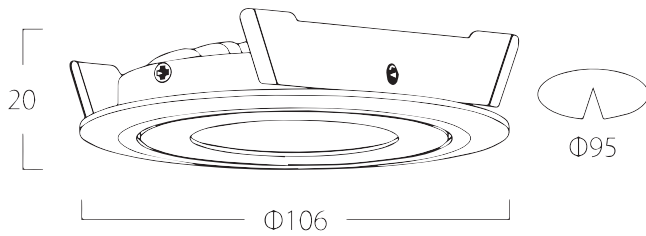
LED | UGR < 19 | IP20 | RA > 90 | Rf > 90 Rg > 90 | 110-130V 220-240V | L80B20 > 50.000h



	P	Flux	CCT	Beam	Color	mA
SLIM-12	12W	800lm	2700K	10°/20°/36°	W	300mA
	12W	850lm	3000K	10°/20°/36°	W	300mA
	12W	880lm	4000K	10°/20°/36°	W	300mA

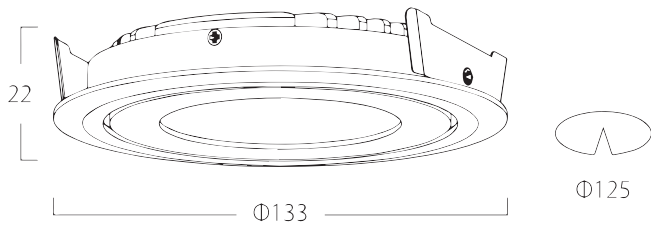
LED | UGR < 19 | IP20 | RA > 90 | Rf > 90 Rg > 90 | 110-130V 220-240V | L80B20 > 50.000h

SLIM-08



(mm)

SLIM-12



(mm)

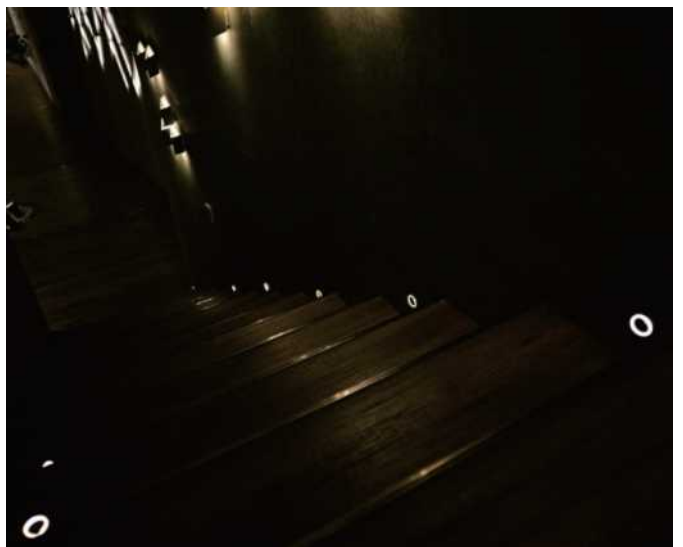
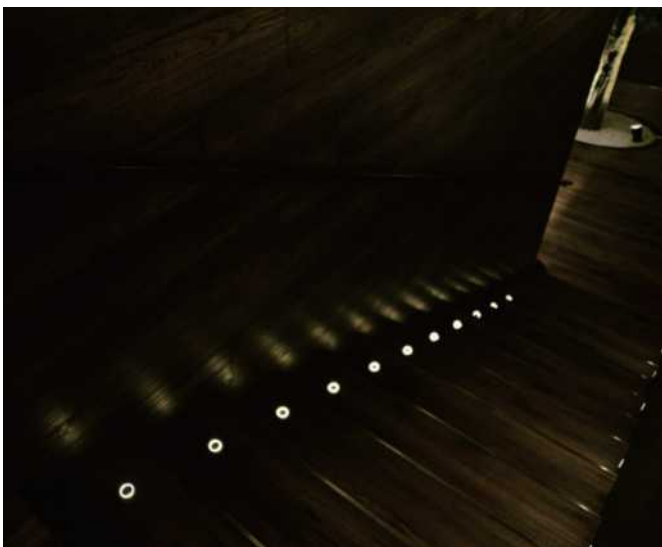
OPTIONS

- 1 No DIM
- 2 DIM DALI
- 3 0-10V
- 4 TRIAC



RING





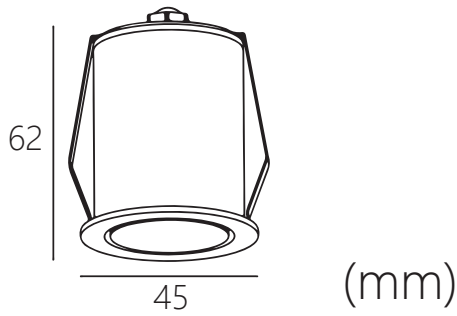


	P	Flux	CCT	Beam	Color	mA
RING-02	2W	80lm	2700K		W/B	500mA
	2W	110lm	3000K		W/B	500mA
	2W	130lm	4000K		W/B	500mA
	2W	110lm	RED		W/B	500mA
	2W	110lm	GREEN		W/B	500mA
	2W	110lm	BLUE		W/B	500mA

LED | UGR<19 | IP20 | RA>90 | Rf>90 Rg>90 | 110-130V 220-240V | L80B20 >50.000h



RING-02



Optional Color



OPTIONS

- 1 No DIM
- 2 TRIAC

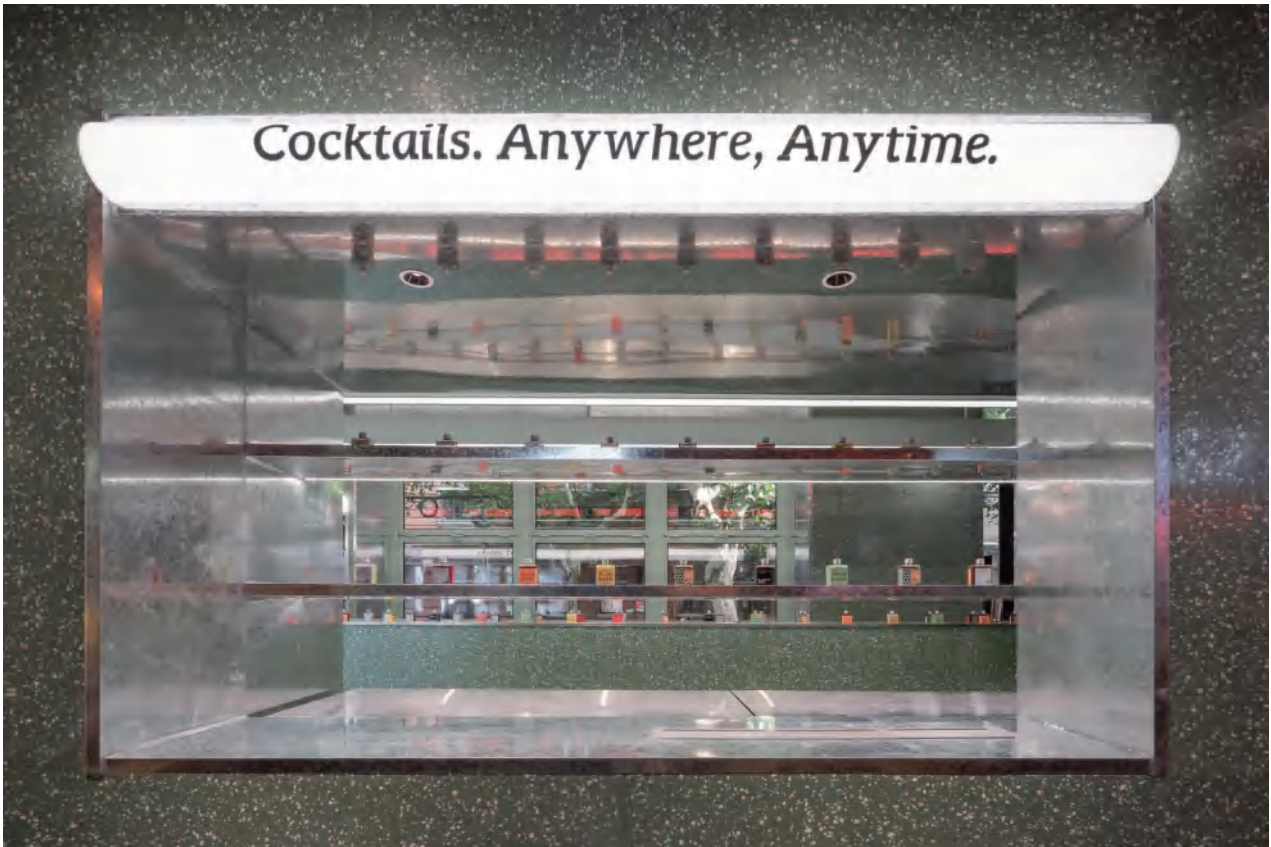




# MASTER

The unique narrow side face ring design breakthrough the traditional way of expression. Rich color matching, to meet the various theme space applications. 30° shading Angle design, UGR<6, to provide you with more comfortable lighting space. Various dimming control schemes are available with dimming accuracy up to 0.1%.







	P	Flux	CCT	Beam	Color	mA
MAS-10	10W	810lm	2700K	15°/24°/36°	WB	250mA
	10W	840lm	3000K	15°/24°/36°	WB	250mA
	10W	880lm	4000K	15°/24°/36°	WB	250mA

LED | UGR < 19 | IP20 | RA > 90 | Rf > 90 | Rg > 90 | 110-130V | 220-240V | L80B20 | > 50.000h

MacAdam Step 3 | DIMMABLE | 15°/24°/36°

	P	Flux	CCT	Beam	Color	mA
MAS-MIN10	10W	810lm	2700K	15°/24°/36°	WB	250mA
	10W	840lm	3000K	15°/24°/36°	WB	250mA
	10W	880lm	4000K	15°/24°/36°	WB	250mA

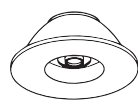
LED | UGR < 19 | IP20 | RA > 90 | Rf > 90 | Rg > 90 | 110-130V | 220-240V | L80B20 | > 50.000h

MacAdam Step 3 | DIMMABLE | 15°/24°/36°

Optical Accessories

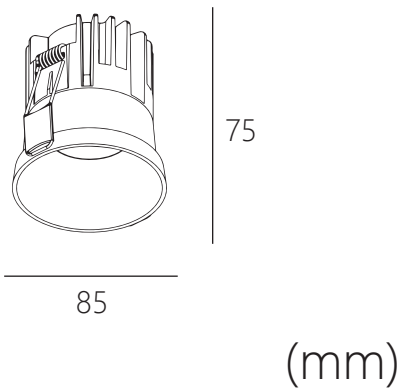


Reflector

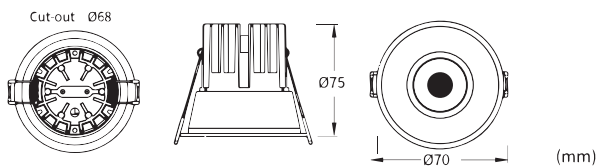


Lens

MAS-10



MAS-10M



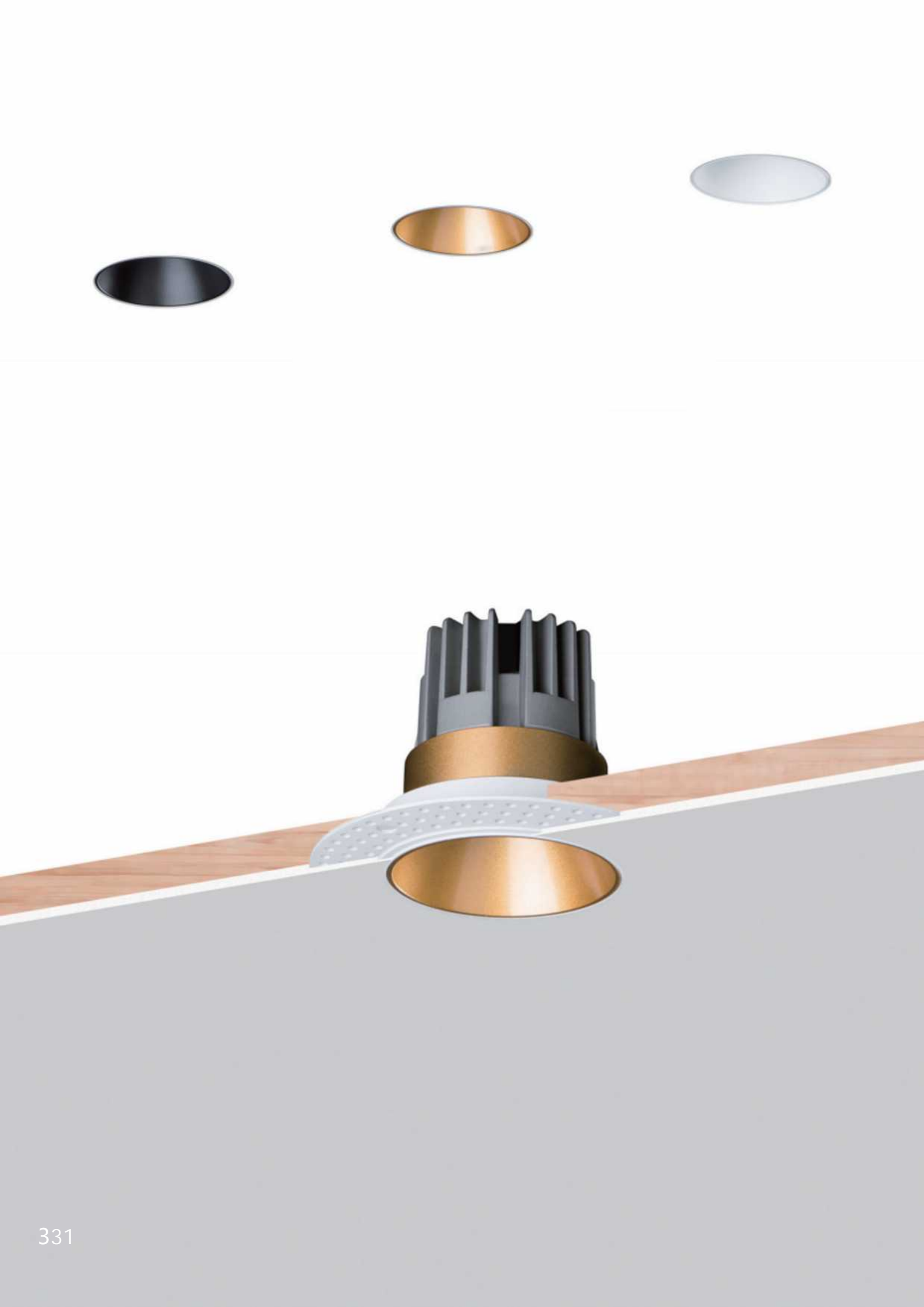
Refractive Screen Color Option



OPTIONS

- 1 No DIM
- 2 DIM DALI
- 3 Bluetooth
- 4 0-10V
- 5 TRIAC







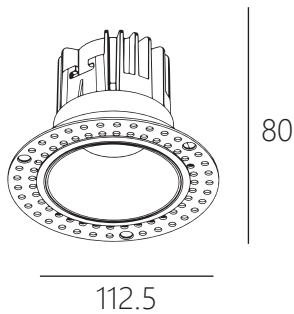


	P	Flux	CCT	Beam	Color	mA
MAS-T10	10W	810lm	2700K	15°/24°/36°	WB	250mA
	10W	840lm	3000K	15°/24°/36°	WB	250mA
	10W	880lm	4000K	15°/24°/36°	WB	250mA

LED | UGR<19 | IP20 | RA>90 | Rf>90 | Rg>90 | 110-130V | 220-240V | L80B20 | >50.000h



MAS-T10



(mm)

cut out:  $\Phi 80$

Refractive Screen Color Option



Gold



Black



White

OPTIONS

- 1 No DIM
- 2 DIM DALI
- 3 Bluetooth
- 4 0-10V
- 5 TRIAC



# UGR downlight



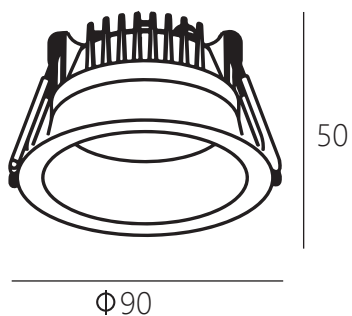




	P	Flux	CCT	Beam	Color	mA
UGR-05	5W	410lm	2700K	100°	W/B	250mA
	5W	440lm	3000K	100°	W/B	250mA
	5W	480lm	4000K	100°	W/B	250mA

LED | UGR < 19 | IP20 | RA > 90 | Rf > 90 Rg > 90 | 110-130V 220-240V | L80B20 > 50,000h | 
 MacAdam Step 3 | DIMMABLE | 100°

UGR-05



(mm)

CUT OUT: 75

### Inner Trim Color Option



### OPTIONS

- 1 No DIM
- 2 DALI
- 3 0-10V
- 4 TRIAC







	P	Flux	CCT	Beam	Color	mA
UGR-10	10W	810lm	2700K	100°	W/B	300mA
	10W	840lm	3000K	100°	W/B	300mA
	10W	880lm	4000K	100°	W/B	300mA

LED | UGR < 19 | IP20 | RA > 90 | Rf > 90 | Rg > 90 | 110-130V | 220-240V | L80B20 > 50.000h
MacAdam Step 3 | DIMMABLE | 100°



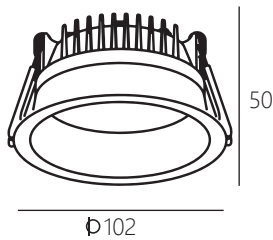
	P	Flux	CCT	Beam	Color	mA
UGR-15	15W	1210lm	2700K	100°	W	350mA
	15W	1240lm	3000K	100°	W	350mA
	15W	1280lm	4000K	100°	W	350mA

LED | UGR < 19 | IP20 | RA > 90 | Rf > 90 | Rg > 90 | 110-130V | 220-240V | L80B20 > 50.000h
MacAdam Step 3 | DIMMABLE | 100°

### Inner Trim Color Option



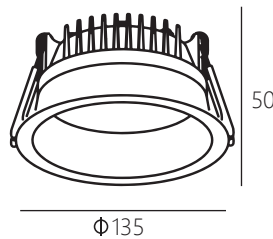
### UGR-10



CUT OUT: 90

(mm)

### UGR-15



CUT OUT: 120

(mm)

### OPTIONS

- 1 No DIM
- 2 DALI
- 3 0-10V
- 4 TRIAC





	P	Flux	CCT	Beam	Color	mA
UGR-20	20W	1700lm	2700K	100°	W/B	500mA
	20W	1800lm	3000K	100°	W/B	500mA
	20W	1850lm	4000K	100°	W/B	500mA

LED | UGR < 19 | IP20 | RA > 90 | Rf > 90 | Rg > 90 | 110-130V | 220-240V | L80B20 | > 50.000h



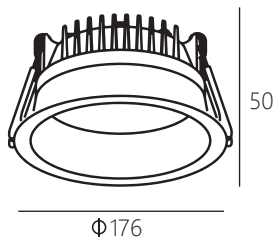
	P	Flux	CCT	Beam	Color	mA
UGR-30	30W	2500lm	2700K	100°	W/B	750mA
	30W	2600lm	3000K	100°	W/B	750mA
	30W	2700lm	4000K	100°	W/B	750mA

LED | UGR < 19 | IP20 | RA > 90 | Rf > 90 | Rg > 90 | 110-130V | 220-240V | L80B20 | > 50.000h

### Inner Trim Color Option



UGR-20

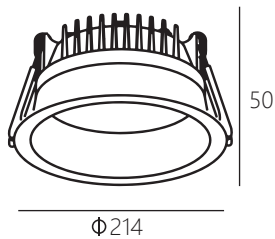


Φ176

(mm)

CUT OUT:160

UGR-30



Φ214

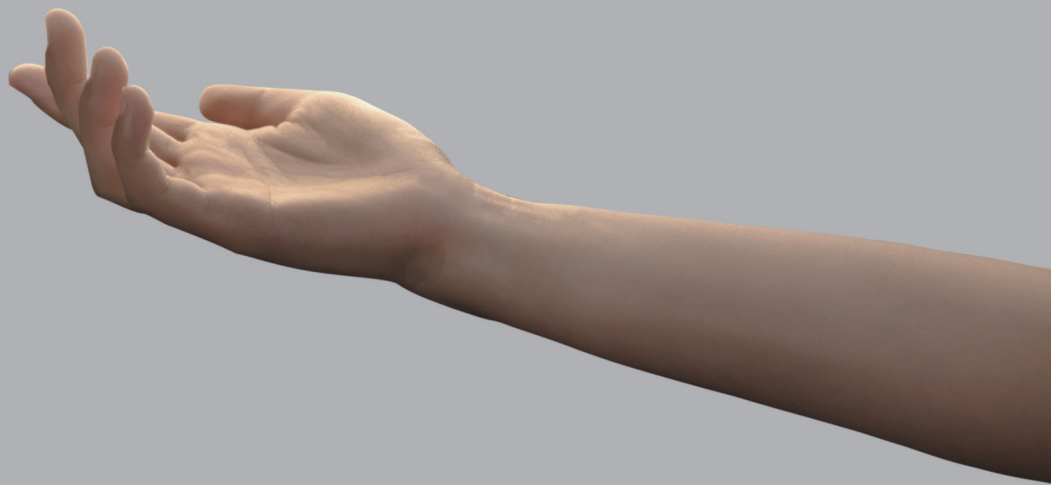
(mm)

CUT OUT:200

### OPTIONS

- 1 No DIM
- 2 DALI
- 3 0-10V
- 4 TRIAC





COIN MAX





	P	Flux	CCT	Beam	Color	L
COIN-M18	18W	1260lm	W-N-C	120°	B/W	165mA
	18W	1300lm	W-N-C	120°	B/W	165mA
	18W	1350lm	W-N-C	120°	B/W	165mA

LED | UGR<22 | IP20 | CRI>80 | 110-130V 220-240V | L80B20 >50.000h



	P	Flux	CCT	Beam	Color	L
COIN-M24	24W	1680lm	W-N-C	120°	B/W	155mA
	24W	1720lm	W-N-C	120°	B/W	155mA
	24W	1750lm	W-N-C	120°	B/W	155mA

LED | UGR<22 | IP20 | CRI>80 | 110-130V 220-240V | L80B20 >50.000h



## COIN-M18



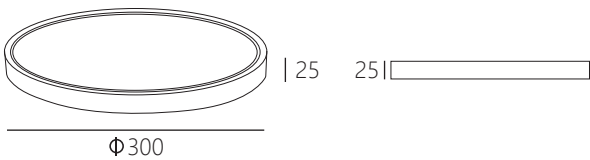
(mm)

## Change on switch



- W 3000K
- N 4000K
- C 6000K

## COIN-M24



(mm)





	P	Flux	CCT	Beam	Color	L
COIN-M36	36W	2520lm	W-N-C	120°	B/W	265mA
	36W	2550lm	W-N-C	120°	B/W	265mA
	36W	2600lm	W-N-C	120°	B/W	265mA

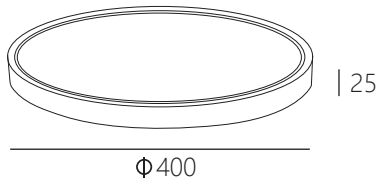
LED | UGR < 22 | IP20 | CRI > 80 | 110-130V 220-240V | L80B20 > 50.000h |
 MacAdam Step 3 | 120°



	P	Flux	CCT	Beam	Color	L
COIN-M48	48W	3360lm	W-N-C	120°	B/W	325mA
	48W	3400lm	W-N-C	120°	B/W	325mA
	48W	3450lm	W-N-C	120°	B/W	325mA

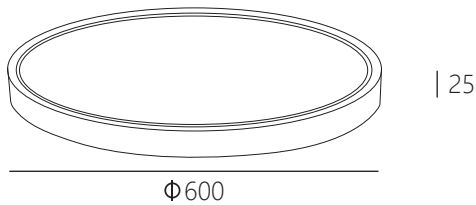
LED | UGR < 22 | IP20 | CRI > 80 | 110-130V 220-240V | L80B20 > 50.000h |
 MacAdam Step 3 | 120°

## COIN-M36



25 |  (mm)

## COIN-M48



25 |  (mm)

## Change on switch



W 3000K  
 N 4000K  
 C 6000K





## FLEXIONAL DIFFUSER

The MOON, features by its multiple sizes and its flexibility in application. Visual comfort finds its most rational form, creating spectacular effects with the simplicity of pure geometry.



SANDY WHITE/  
BLACK PAINTING

Glare Free  
UGR < 19

# MOON





	P	Flux	CCT	Beam	Color
MO10-R40	25W	1700lm	2700K	110°	W/B
	25W	1750lm	3000K	110°	W/B
	25W	1800lm	4000K	110°	W/B

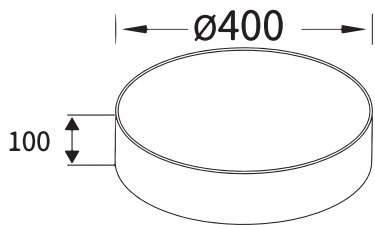
LED | UGR < 19 | IP20 | RA > 90 | Rf > 90 Rg > 90 | 110-130V 220-240V | L80B20 > 50.000h | 
 MacAdam Step 3 | DIMMABLE | 110°



	P	Flux	CCT	Beam	Color
MO10-R50	36W	2510lm	2700K	110°	W/B
	36W	2540lm	3000K	110°	W/B
	36W	2580lm	4000K	110°	W/B

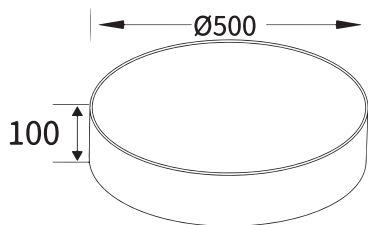
LED | UGR < 19 | IP20 | RA > 90 | Rf > 90 Rg > 90 | 110-130V 220-240V | L80B20 > 50.000h | 
 MacAdam Step 3 | DIMMABLE | 110°

MO10-R40



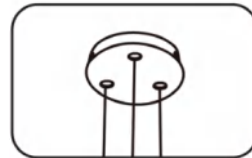
(mm)

MO10-R50



(mm)

Accessories



SUSPENDED KIT

OPTIONS

- 1 No DIM





	P	Flux	CCT	Beam	Color
MO10-R60	48W	3510lm	2700K	110°	W/B
	48W	3540lm	3000K	110°	W/B
	48W	3580lm	4000K	110°	W/B

LED | UGR < 19 | IP20 | RA > 90 | Rf > 90 Rg > 90 | 110-130V 220-240V | L80B20 > 50.000h

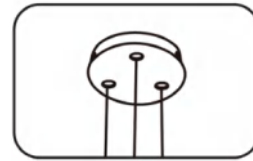


	P	Flux	CCT	Beam	Color
MO10-R80	96W	6710lm	2700K	110°	W/B
	96W	6740lm	3000K	110°	W/B
	96W	6780lm	4000K	110°	W/B

LED | UGR < 19 | IP20 | RA > 90 | Rf > 90 Rg > 90 | 110-130V 220-240V | L80B20 > 50.000h



Accessories

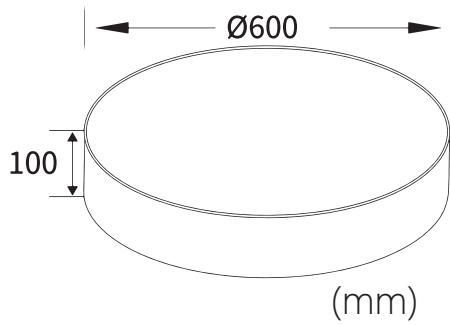


SUSPENDED KIT

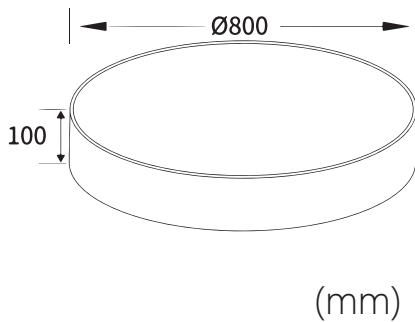
OPTIONS

- 1 No DIM

MO10-R60



MO10-R80







	P	Flux	CCT	Beam	Color
MO10-R100	130W	9810lm	2700K	110°	W/B
	130W	9840lm	3000K	110°	W/B
	130W	9880lm	4000K	110°	W/B

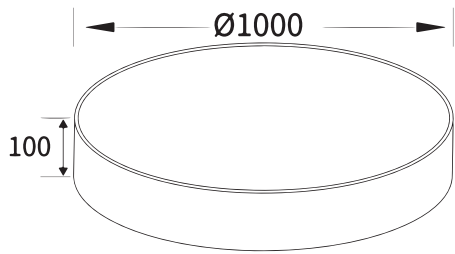
LED | UGR < 19 | IP20 | RA > 90 | Rf > 90 Rg > 90 | 110-130V 220-240V | L80B20 > 50,000h | 
 MacAdam Step 3 | DIMMABLE | 110°



	P	Flux	CCT	Beam	Color
MO10-R120	164W	10210lm	2700K	110°	W/B
	164W	10240lm	3000K	110°	W/B
	164W	10280lm	4000K	110°	W/B

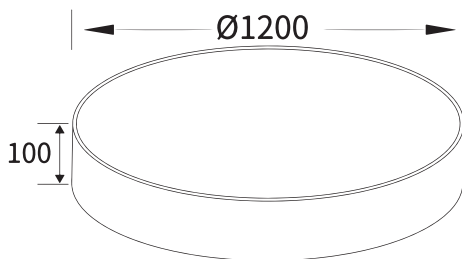
LED | UGR < 19 | IP20 | RA > 90 | Rf > 90 Rg > 90 | 110-130V 220-240V | L80B20 > 50,000h | 
 MacAdam Step 3 | DIMMABLE | 110°

MO10-R100



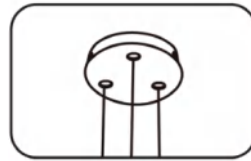
(mm)

MO10-R120



(mm)

Accessories



SUSPENDED KIT

OPTIONS

- 1 No DIM





MOON slim and classic illumination that sets new standards. The round, seamlessly welded surface lights makes a discreetly elegant impression but set unique accents in any space. In playing with various sizes and classic or unconventional arrangements, MOON becomes a formative architectural element.



## OFFICE LIGHTING

technology meets the precision of design, Visual comfort finds its most rational form, creating spectacular effects with the simplicity of pure geometry.



	P	Flux	CCT	Beam	Color
MO10-S40	25W	1810lm	2700K	110°	W/B
	25W	1840lm	3000K	110°	W/B
	25W	1880lm	4000K	110°	W/B

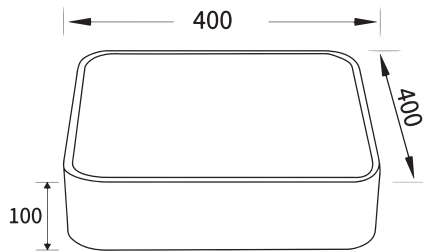
LED | UGR < 19 | IP20 | RA > 90 | Rf > 90 Rg > 90 | 110-130V 220-240V | L80B20 > 50.000h | 
 MacAdam Step 3 | DIMMABLE | 110°



	P	Flux	CCT	Beam	Color
MO10-S50	36W	2510lm	2700K	110°	W/B
	36W	2540lm	3000K	110°	W/B
	36W	2580lm	4000K	110°	W/B

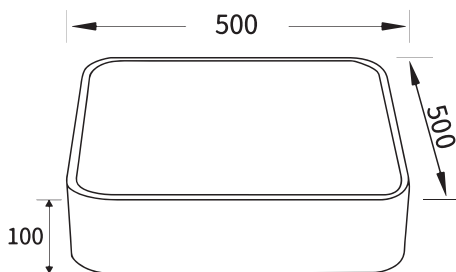
LED | UGR < 19 | IP20 | RA > 90 | Rf > 90 Rg > 90 | 110-130V 220-240V | L80B20 > 50.000h | 
 MacAdam Step 3 | DIMMABLE | 110°

MO10-S40



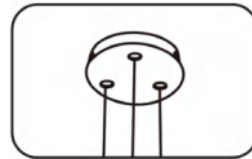
(mm)

MO10-S50



(mm)

Accessories

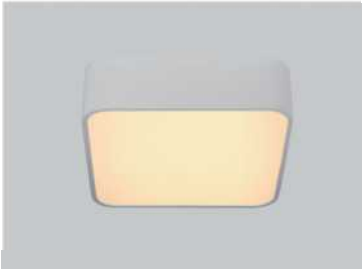


SUSPENDED KIT

OPTIONS

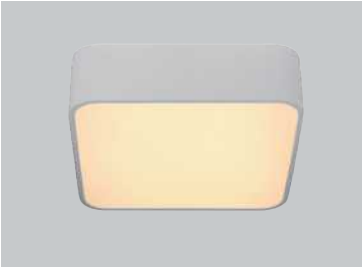
- 1 TRIAC





	P	Flux	CCT	Beam	Color
MO10-S60	48W	3510lm	2700K	110°	W/B
	48W	3540lm	3000K	110°	W/B
	48W	3580lm	4000K	110°	W/B

LED | UGR < 19 | IP20 | RA > 90 | Rf > 90 Rg > 90 | 110-130V 220-240V | L80B20 > 50.000h

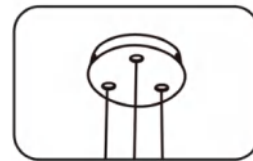


	P	Flux	CCT	Beam	Color
MO10-S80	96W	6710lm	2700K	110°	W/B
	96W	6740lm	3000K	110°	W/B
	96W	6780lm	4000K	110°	W/B

LED | UGR < 19 | IP20 | RA > 90 | Rf > 90 Rg > 90 | 110-130V 220-240V | L80B20 > 50.000h



Accessories

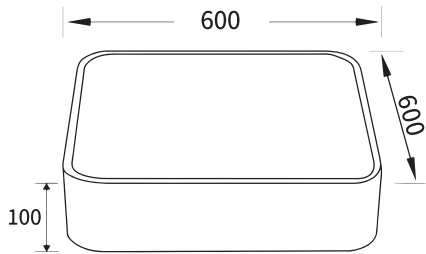


SUSPENDED KIT

OPTIONS

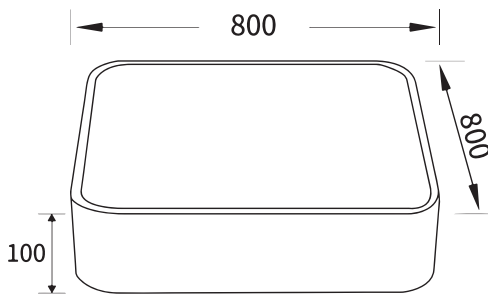
■ TRIAC

MO10-S60



(mm)

MO10-S80



(mm)









	P	Flux	CCT	Beam	Color
MO10-S100	130W	9810lm	2700K	110°	W/B
	130W	9840lm	3000K	110°	W/B
	130W	9880lm	4000K	110°	W/B

LED | UGR < 19 | IP20 | RA > 90 | Rf > 90 Rg > 90 | 110-130V 220-240V | L80B20 > 50.000h

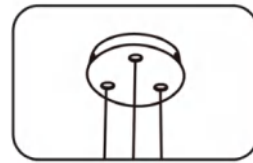


	P	Flux	CCT	Beam	Color
MO10-S120	164W	10210lm	2700K	110°	W/B
	164W	10240lm	3000K	110°	W/B
	164W	10280lm	4000K	110°	W/B

LED | UGR < 19 | IP20 | RA > 90 | Rf > 90 Rg > 90 | 110-130V 220-240V | L80B20 > 50.000h



Accessories

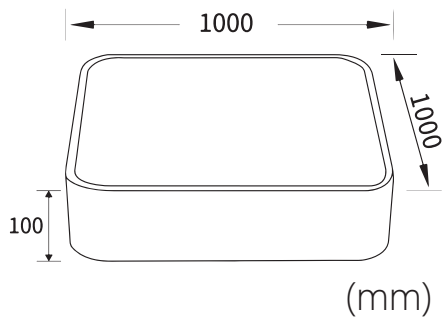


SUSPENDED KIT

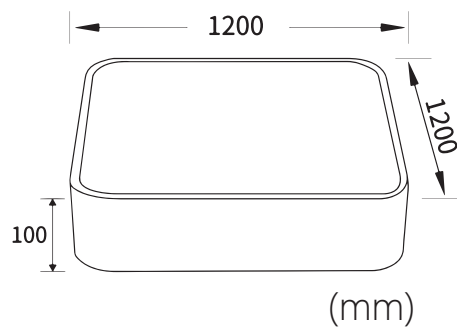
OPTIONS

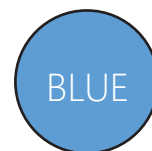
■ TRIAC

MO10-S100



MO10-S120





# MOON COLORFUL LIGHT







## LED COLORFUL LIGHT

round shape it literally  
invites you to play with colour.



	P	Flux	CCT	Beam	Color
MO06-R30	20W	1300lm	2700K	110°	W/B
	20W	1400lm	3000K	110°	W/B
	20W	1500lm	4000K	110°	W/B

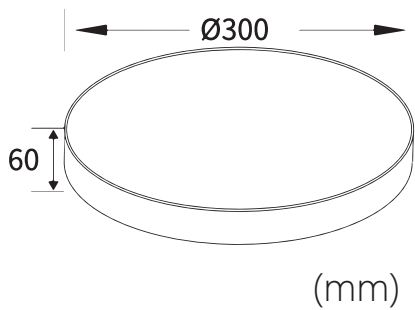
LED | UGR < 19 | IP20 | RA > 90 | Rf > 90 | Rg > 90 | 110-130V | 220-240V | L80B20 | > 50.000h



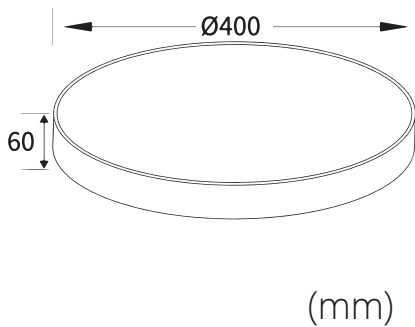
	P	Flux	CCT	Beam	Color
MO06-R40	28W	1800lm	2700K	110°	W/B
	28W	1900lm	3000K	110°	W/B
	28W	2000lm	4000K	110°	W/B

LED | UGR < 19 | IP20 | RA > 90 | Rf > 90 | Rg > 90 | 110-130V | 220-240V | L80B20 | > 50.000h

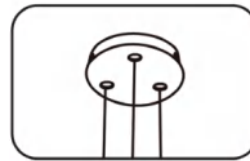
MO06-R30



MO06-R40



Accessories



SUSPENDED KIT

OPTIONS

- 1 TRIAC





	P	Flux	CCT	Beam	Color
MO06-R50	36W	2500lm	2700K	110°	W/B
	36W	2550lm	3000K	110°	W/B
	36W	2600lm	4000K	110°	W/B

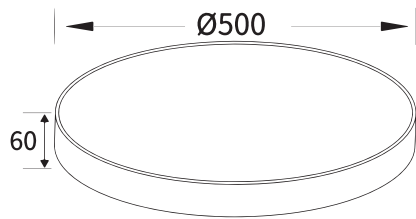
LED | UGR < 19 | IP20 | RA > 90 | Rf > 90 | Rg > 90 | 110-130V | 220-240V | L80B20 > 50.000h



	P	Flux	CCT	Beam	Color
MO06-R60	48W	3200lm	2700K	110°	W/B
	48W	3300lm	3000K	110°	W/B
	48W	3400lm	4000K	110°	W/B

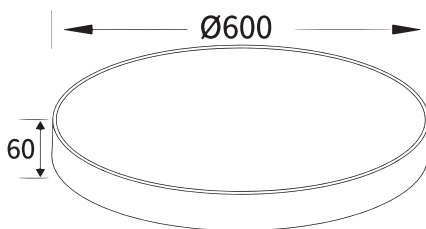
LED | UGR < 19 | IP20 | RA > 90 | Rf > 90 | Rg > 90 | 110-130V | 220-240V | L80B20 > 50.000h

MO06-R50



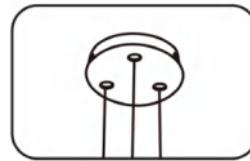
(mm)

MO06-R60



(mm)

Accessories



SUSPENDED KIT

OPTIONS

- 1 TRIAC

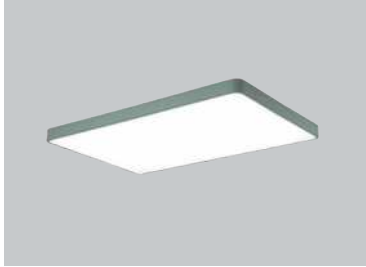






	P	Flux	CCT	Beam	Color
MO06-S30	20W	1300lm	2700K	110°	W/B
	20W	1400lm	3000K	110°	W/B
	20W	1500lm	4000K	110°	W/B

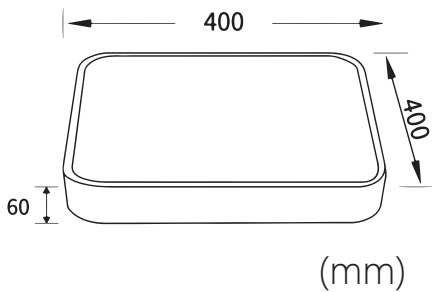
LED | UGR < 19 | IP20 | RA > 90 | Rf > 90 Rg > 90 | 110-130V 220-240V | L80B20 > 50.000h |



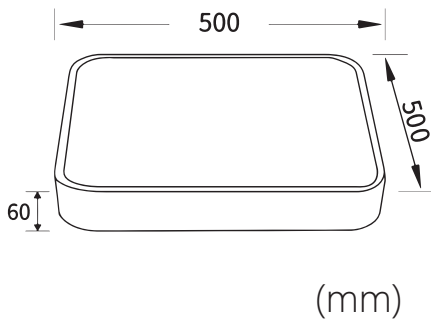
	P	Flux	CCT	Beam	Color
MO06-S40	28W	1800lm	2700K	110°	W/B
	28W	1900lm	3000K	110°	W/B
	28W	2000lm	4000K	110°	W/B

LED | UGR < 19 | IP20 | RA > 90 | Rf > 90 Rg > 90 | 110-130V 220-240V | L80B20 > 50.000h |

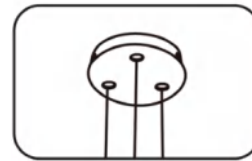
MO06-S40



MO06-S50



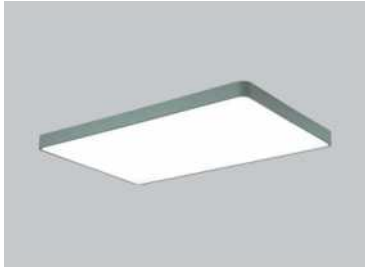
Accessories



SUSPENDED KIT

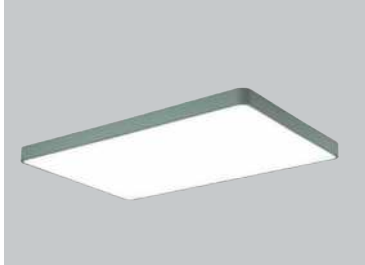
OPTIONS





	P	Flux	CCT	Beam	Color
MO06-S60	36W	2500lm	2700K	110°	W/B
	36W	2550lm	3000K	110°	W/B
	36W	2600lm	4000K	110°	W/B

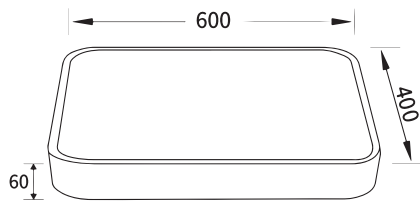
LED | UGR<19 | IP20 | RA>90 | Rf>90 | Rg>90 | 110-130V | 220-240V | L80B20 | >50.000h



	P	Flux	CCT	Beam	Color
MO06-S80	48W	3200lm	2700K	110°	W/B
	48W	3300lm	3000K	110°	W/B
	48W	3400lm	4000K	110°	W/B

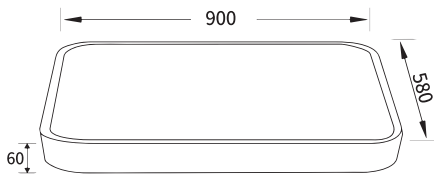
LED | UGR<19 | IP20 | RA>90 | Rf>90 | Rg>90 | 110-130V | 220-240V | L80B20 | >50.000h

MO06-S60



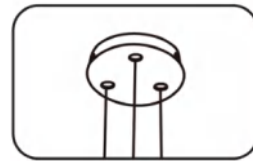
(mm)

MO06-S80



(mm)

Accessories



SUSPENDED KIT

OPTIONS

■ TRIAC





HIO







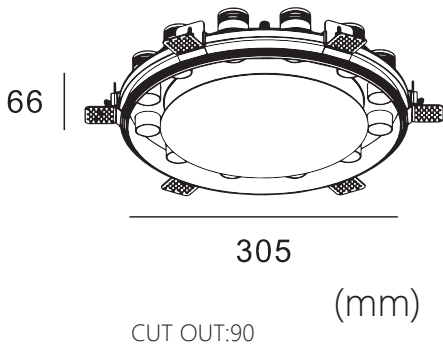


	P	Flux	CCT	Beam	Color	mA
HIO-305	35W	2810lm	2700K	25°/40°	B	350mA
	35W	2840lm	3000K	25°/40°	B	350mA
	35W	2880lm	4000K	25°/40°	B	350mA

LED | UGR < 19 | IP20 | RA > 90 | Rf > 90 | Rg > 90 | 110-130V | 220-240V | L80B20 > 50.000h



HIO-305



OPTIONS

- 1 No DIM
- 2 Bluetooth
- 3 0-10V
- 4 TRIAC

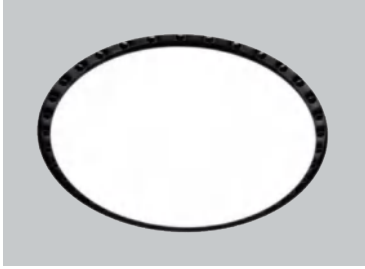






	P	Flux	CCT	Beam	Color	mA
HIO-605	70W	5810lm	2700K	25°/40°	B	500mA
	70W	5840lm	3000K	25°/40°	B	500mA
	70W	5880lm	4000K	25°/40°	B	500mA

LED | UGR < 19 | IP20 | RA > 90 | Rf > 90 Rg > 90 | 110-130V 220-240V | L80B20 > 50.000h

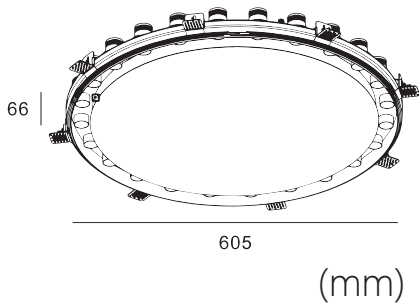


	P	Flux	CCT	Beam	Color	mA
HIO-905	105W	8210lm	2700K	25°/40°	B	700mA
	105W	8240lm	3000K	25°/40°	B	700mA
	105W	8280lm	4000K	25°/40°	B	700mA

LED | UGR < 19 | IP20 | RA > 90 | Rf > 90 Rg > 90 | 110-130V 220-240V | L80B20 > 50.000h

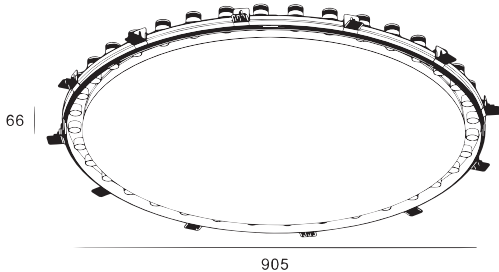


HIO-605



(mm)

HIO-905



(mm)

OPTIONS

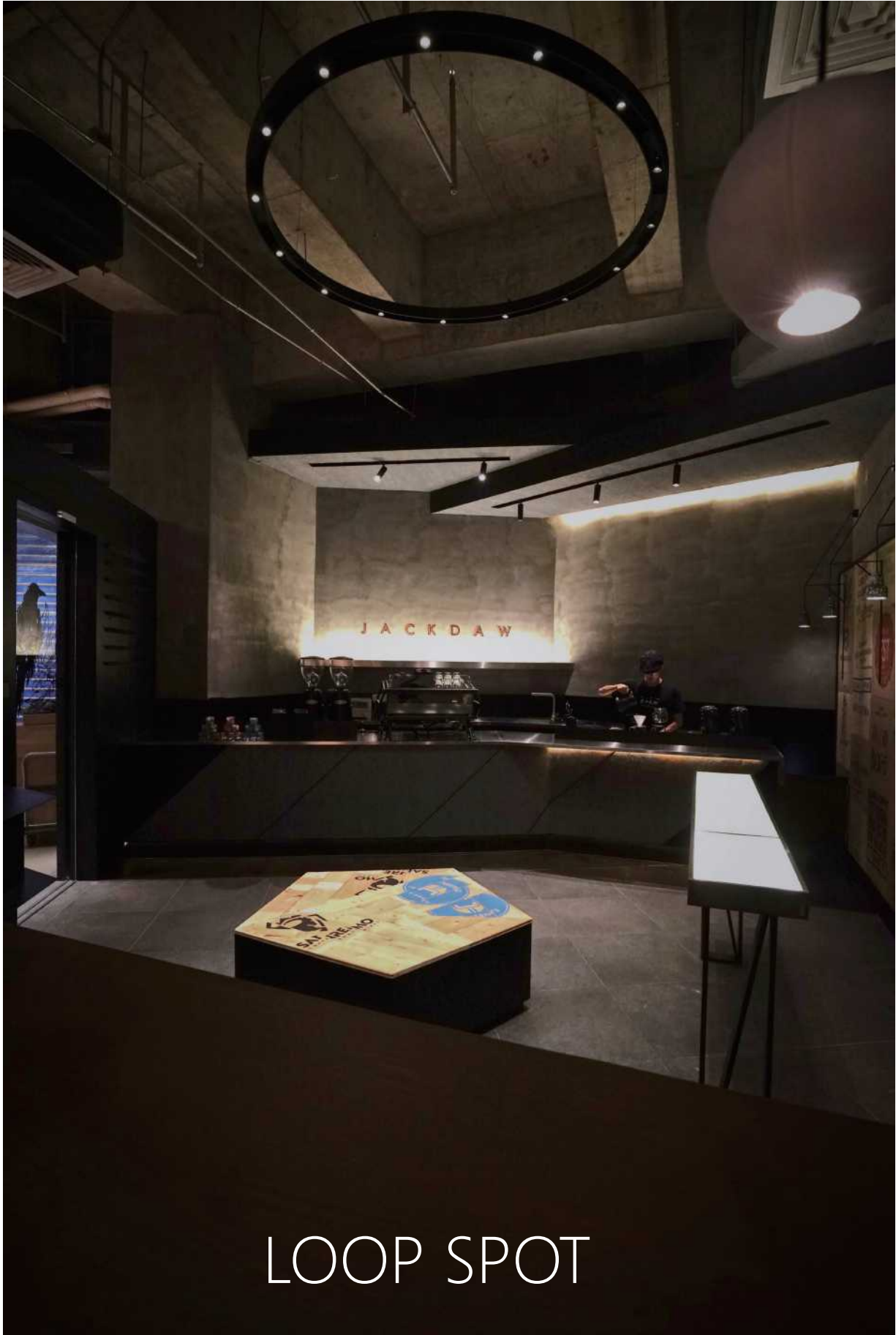
- 1 No DIM
- 2 Bluetooth
- 3 0-10V
- 4 TRIAC



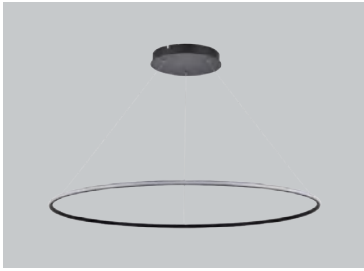




LOOP



# LOOP SPOT



	P	Flux	CCT	Material	Color	DC
LOOP-450	25W	1510lm	2700K	aluminum+PS	B	DC24V
	25W	1540lm	3000K	aluminum+PS	B	DC24V
	25W	1580lm	4000K	aluminum+PS	B	DC24V

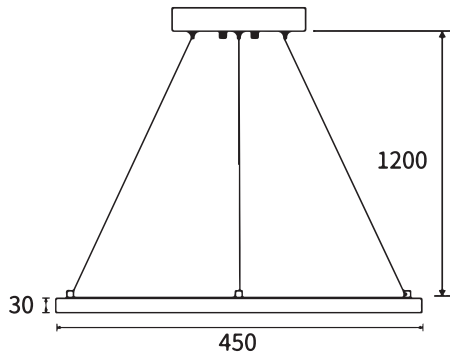
LED | UGR<19 | IP20 | RA>90 | Rf>90 Rg>90 | 110-130V 220-240V | L80B20 >50.000h | 
 MacAdam Step 3 | DIMMABLE



	P	Flux	CCT	Material	Color	DC
LOOP-600	35W	2110lm	2700K	aluminum+PS	B	DC24V
	35W	2140lm	3000K	aluminum+PS	B	DC24V
	35W	2180lm	4000K	aluminum+PS	B	DC24V

LED | UGR<19 | IP20 | RA>90 | Rf>90 Rg>90 | 110-130V 220-240V | L80B20 >50.000h | 
 MacAdam Step 3 | DIMMABLE

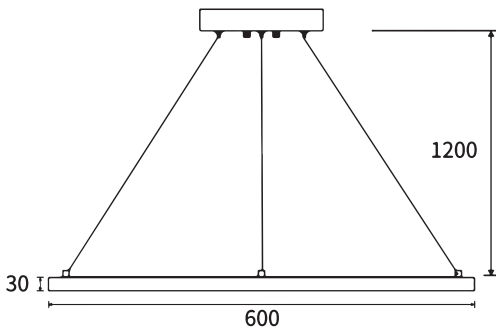
## LOOP-450

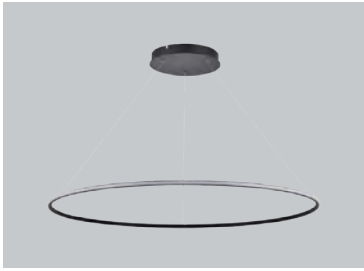


## OPTIONS

1 No DIM

## LOOP-600





	P	Flux	CCT	Material	Color	DC
LOOP-950	55W	3510lm	2700K	aluminum+PS	B	DC24V
	55W	3540lm	3000K	aluminum+PS	B	DC24V
	55W	3580lm	4000K	aluminum+PS	B	DC24V

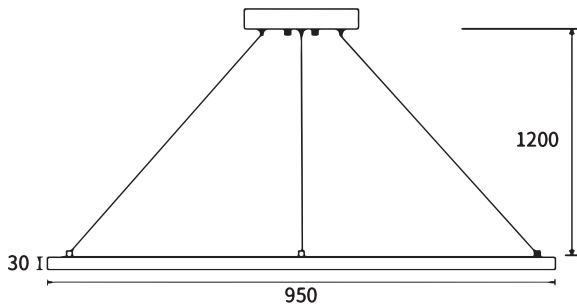
LED | UGR < 19 | IP20 | RA > 90 | Rf > 90 | Rg > 90 | 110-130V | 220-240V | L80B20 | > 50.000h



	P	Flux	CCT	Material	Color	DC
LOOP-1200	75W	4610lm	2700K	aluminum+PS	B	DC24V
	75W	4640lm	3000K	aluminum+PS	B	DC24V
	75W	4680lm	4000K	aluminum+PS	B	DC24V

LED | UGR < 19 | IP20 | RA > 90 | Rf > 90 | Rg > 90 | 110-130V | 220-240V | L80B20 | > 50.000h

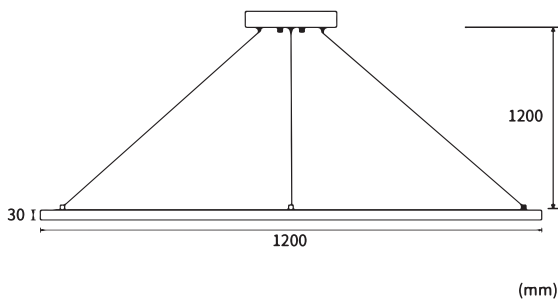
## LOOP-950



### OPTIONS

- 1 No DIM

## LOOP-1200







	P	Flux	CCT	Beam	Color	mA
LOOP-S700-3	3*5W	1010lm	2700K	15°/24°/36°	W/B	700mA
	3*5W	1040lm	3000K	15°/24°/36°	W/B	700mA
	3*5W	1080lm	4000K	15°/24°/36°	W/B	700mA



UGR < 19



RA > 90

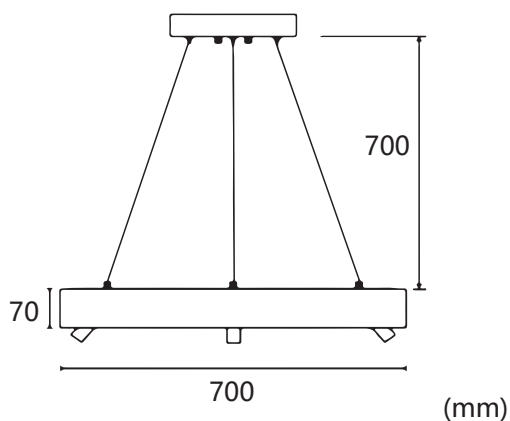
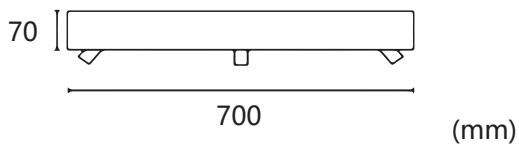
Rf > 90  
Rg > 90

110-130V  
220-240V

L80B20  
> 50.000h



## LOOP-S700-3



## OPTIONS

- 1 No DIM



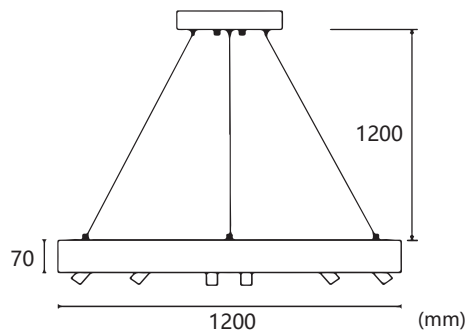
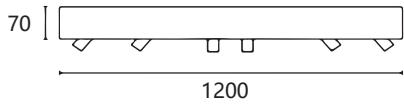


	P	Flux	CCT	Beam	Color	mA
LOOP-S1200-6	6*5W	3510lm	2700K	15°/24°/36°	W/B	700mA
	6*5W	3540lm	3000K	15°/24°/36°	W/B	700mA
	6*5W	3580lm	4000K	15°/24°/36°	W/B	700mA

LED | UGR < 19 | IP20 | RA > 90 | Rf > 90 Rg > 90 | 110-130V 220-240V | L80B20 > 50.000h



## LOOP-S1200-6



## OPTIONS

1 No DIM



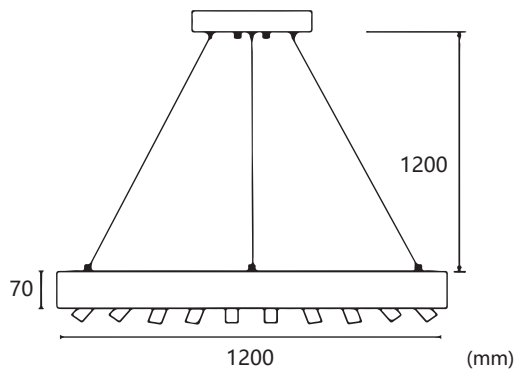
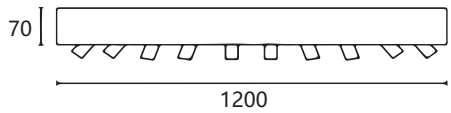


	P	Flux	CCT	Beam	Color	mA
LOOP-S1200-10	10*5W	3510lm	2700K	15°/24°/36°	W/B	700mA
	10*5W	3540lm	3000K	15°/24°/36°	W/B	700mA
	10*5W	3580lm	4000K	15°/24°/36°	W/B	700mA

LED | UGR < 19 | IP20 | RA > 90 | Rf > 90 Rg > 90 | 110-130V 220-240V | L80B20 > 50.000h



LOOP-S1200-10

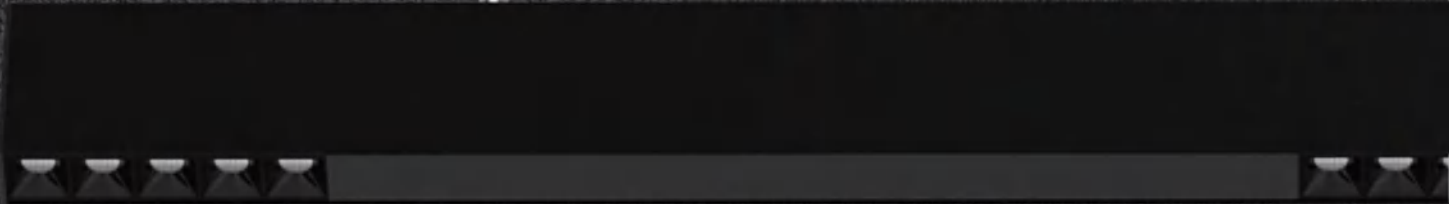


### OPTIONS

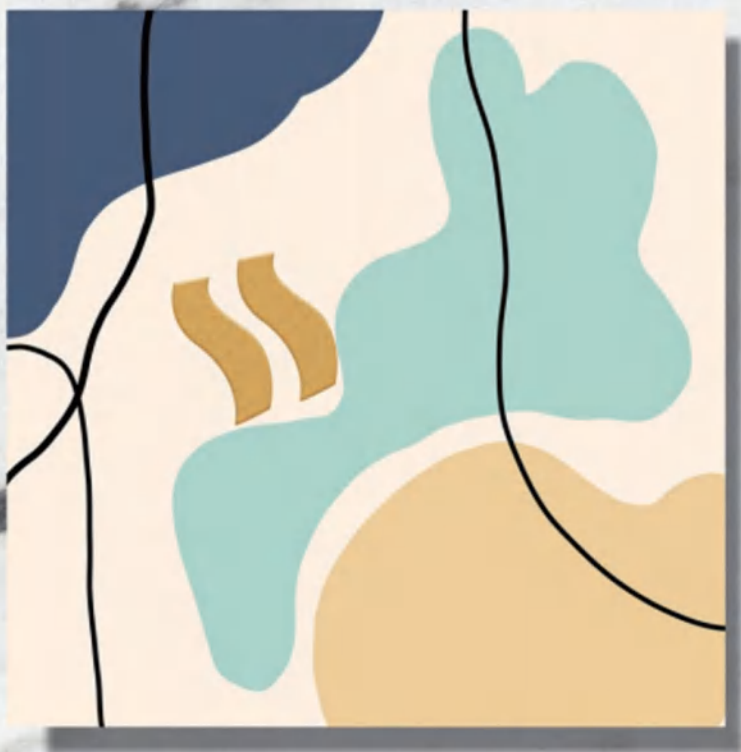
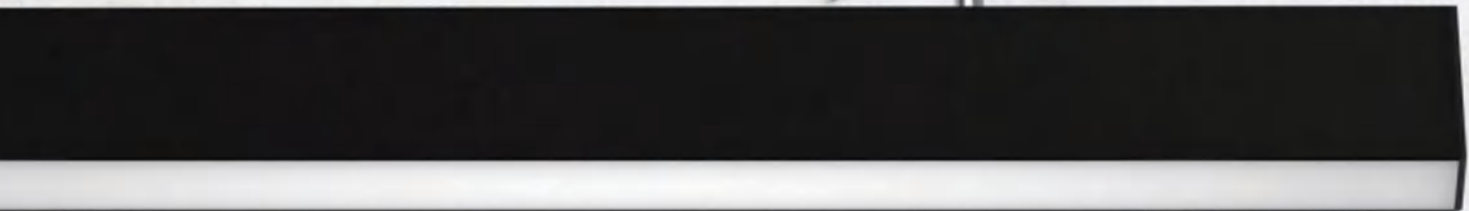
- 1 No DIM





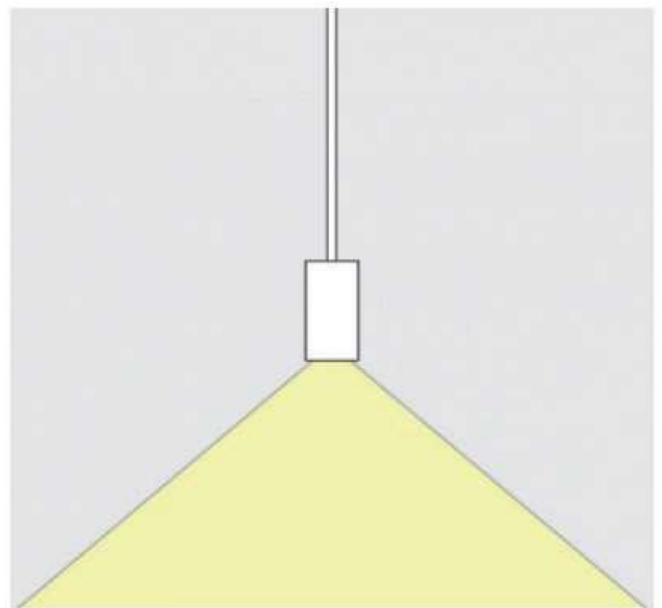
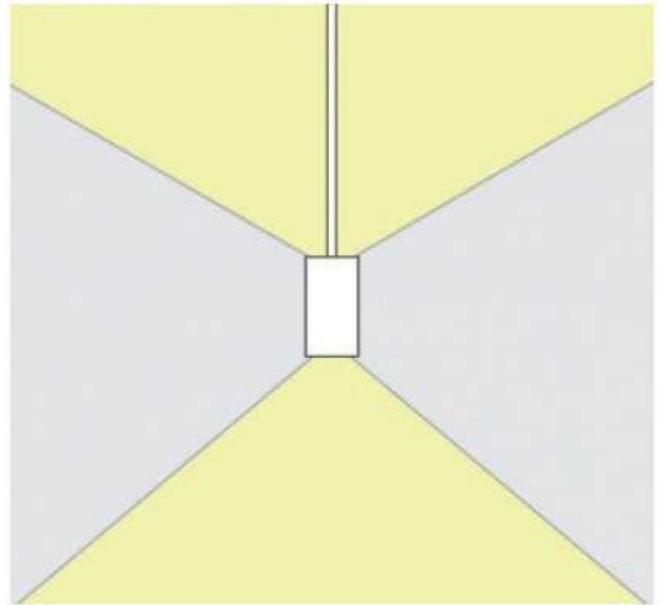


OFI





# VISUAL COMFORT DIRECT/INDIRECT



HIGHLY DIVERSE PENDANT LUMINAIRES WITH LINEAR PROFILES AND DIRECT/INDIRECT ILLUMINATION.OFI CAN BE MODIFIED CONTINUOUSLY FROM 3000K TO 6000K. THIS ENABLES THE LIGHT ATMOSPHERE IN THE ROOM TO BE ADAPTED TO DAYLIGHT OR PERSONAL MOODS.



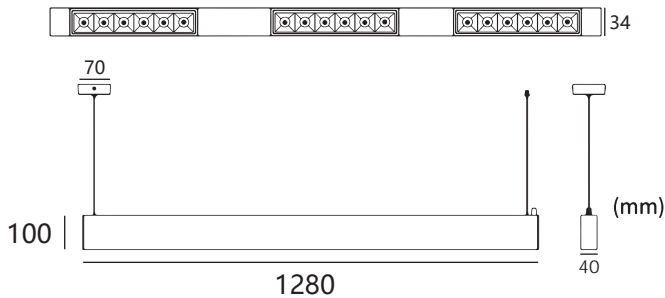
	P	Flux	CCT	Beam	Color	mA
OFI-31	30W	2000lm	2700K	12°/36°/48°	W/B	1050mA
	30W	2050lm	3000K	12°/36°/48°	W/B	1050mA
	30W	2100lm	4000K	12°/36°/48°	W/B	1050mA

LED | UGR < 19 | IP20 | RA > 90 | Rf > 90 | Rg > 90 | 110-130V | 220-240V | L80B20 | > 50.000h

	P	Flux	CCT	Beam	Color	mA
OFI-31U	30W+12W	2210lm	2700K	12°/36°/48°	W/B	1050mA
	30W+12W	2240lm	3000K	12°/36°/48°	W/B	1050mA
	30W+12W	2280lm	4000K	12°/36°/48°	W/B	1050mA

LED | UGR < 19 | IP20 | RA > 90 | Rf > 90 | Rg > 90 | 110-130V | 220-240V | L80B20 | > 50.000h

OFI-31 / OFI-31U

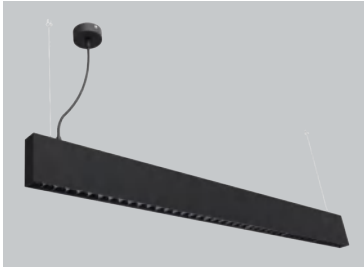


OPTIONS

- 1 No DIM
- 2 Bluetooth
- 3 0-10V
- 4 TRIAC

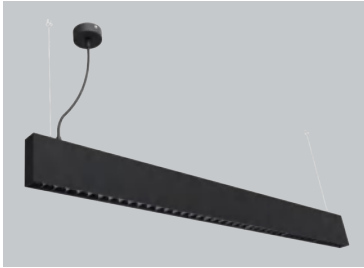






	P	Flux	CCT	Beam	Color	mA
OFI-33	30W	2000lm	2700K	12°/36°/48°	W/B	1050mA
	30W	2050lm	3000K	12°/36°/48°	W/B	1050mA
	30W	2100lm	4000K	12°/36°/48°	W/B	1050mA

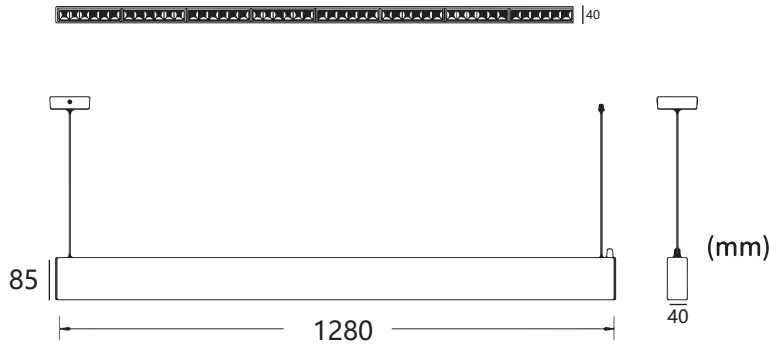
LED | UGR < 19 | IP20 | RA > 90 | Rf > 90 Rg > 90 | 110-130V 220-240V | L80B20 > 50.000h | 
 MacAdam Step 3 | DIMMABLE | 12°/36°/48°



	P	Flux	CCT	Beam	Color	mA
OFI-33U	30W+12W	2700lm	2700K	12°/36°/48°	W/B	1050mA
	30W+12W	2800lm	3000K	12°/36°/48°	W/B	1050mA
	30W+12W	2900lm	4000K	12°/36°/48°	W/B	1050mA

LED | UGR < 19 | IP20 | RA > 90 | Rf > 90 Rg > 90 | 110-130V 220-240V | L80B20 > 50.000h | 
 MacAdam Step 3 | DIMMABLE | 12°/36°/48°

OFI-33 / OFI-33U



OPTIONS

- 1 No DIM
- 2 Bluetooth
- 3 0-10V
- 4 TRIAC





	P	Flux	CCT	Beam	Color	mA
OFI-32	30W	2000lm	2700K	120°	W/B	1050mA
	30W	2050lm	3000K	120°	W/B	1050mA
	30W	2100lm	4000K	120°	W/B	1050mA

LED | UGR < 19 | IP20 | RA > 90 | Rf > 90 Rg > 90 | 110-130V 220-240V | L80B20 > 50.000h

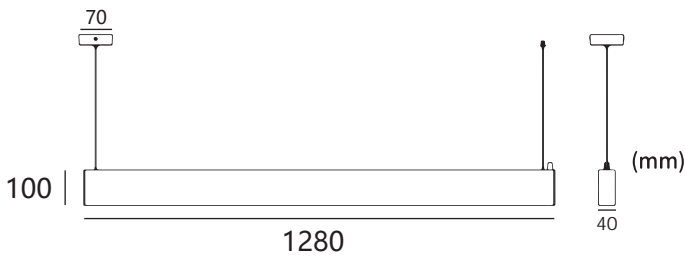


	P	Flux	CCT	Beam	Color	mA
OFI-32U	30W+12W	2700lm	2700K	120°	W/B	1050mA
	30W+12W	2800lm	3000K	120°	W/B	1050mA
	30W+12W	2900lm	4000K	120°	W/B	1050mA

LED | UGR < 19 | IP20 | RA > 90 | Rf > 90 Rg > 90 | 110-130V 220-240V | L80B20 > 50.000h



OFI-32 / OFI-32U



OPTIONS

- 1 No DIM
- 2 Bluetooth
- 3 0-10V
- 4 TRIAC

