

PRODUCT DESCRIPTION

Sharp, high performance accent lighting. Built-in driver, offers a decent and clear look, lumen efficiency up to 90lm/w. Can be dressed with honey comb, cross louver to enhance the visual quality, reduce glare.

Sharp Standard

TECHNICAL DATA

MOUNTING

Mounting location	Ceiling
Type	Track light
Adaptor	4 wires 3 circuits

ELECTRICAL

Input Voltage	AC220-240V
Frequency	50/60HZ

DRIVER

Type	Integrated
Voltage & Current	DC36V 350mA
Driver brand	Tridonic non-dim
Power Factor	>0.5
Dimmable	TRAIC/0-10V/DALI

LED

Chips brand	Luminus
Chips information	DC36V COB
Power	15w
Color Temperature	2700K/3000K/4000K
CRI	Ra>90

LAMP

Material	Die-casting aluminum
Housing color	white/black
Inner ring color	Same as housing
Beam Angle	15°/24°/38°/60°
Unified glare rating(UGR)	<19
Adjustibility	90° tilt and 350° Rotation
Ingress Protection	IP20

NOMINAL FLUX

Luminaire lumen efficiency	80-90lm/w
Fitting luminous Flux	2700K 1200lm 3000K 1300lm 4000K 1350lm

Packing Content

PC/CTN	30pcs
Carton Size	57x36x43cm

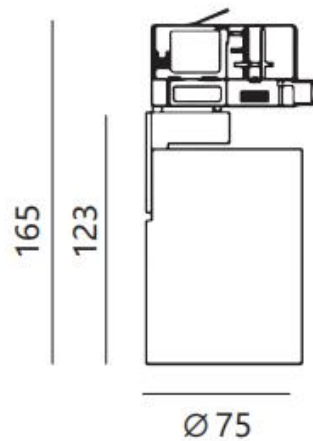
ORDER TEMPLATE

Item	housing color	Color Temperature	Beam Angle	Item number Example
SHA15	B (black)	27 (2700K)	15 (15°)	SHA15-B2715
		30 (3000K)	24 (24°)	SHA15-W3024
	W (white)	40 (4000K)	38 (38°)	
			60 (60°)	

PHOTO



DIMMENSION



ACCESSORY

HONEY COMB

CROSS LOUVER



PRODUCT DESCRIPTION

Sharp, high performance accent lighting. Built-in driver, offers a decent and clear look, lumen efficiency up to 90lm/w. Can be dressed with honey comb, cross louver to enhance the visual quality, reduce glare.

Sharp Standard

TECHNICAL DATA

MOUNTING

Mounting location	Ceiling
Type	Track light
Adaptor	4 wires 3 circuits

ELECTRICAL

Input Voltage	AC220-240V
Frequency	50/60HZ

DRIVER

Type	Integrated
Voltage & Current	DC36V 500mA
Driver brand	Tridonic non-dim
Power Factor	>0.9
Dimmable	TRAIC/0-10V/DALI

LED

Chips brand	Luminus
Chips information	DC36V COB
Power	20w
Color Temperature	2700K/3000K/4000K
CRI	Ra>90

LAMP

Material	Die-casting aluminum
Housing color	white/black
Inner ring color	Same as housing
Beam Angle	15°/24°/38°/60°
Unified glare rating(UGR)	<19
Adjustibility	90° tilt and 350° Rotation
Ingress Protection	IP20

NOMINAL FLUX

Luminaire lumen efficiency	80-90lm/w
Fitting luminous Flux	2700K 1600lm 3000K 1750lm 4000K 1800lm

Packing Content

PC/CTN	15pcs
Carton Size	57x36x29cm

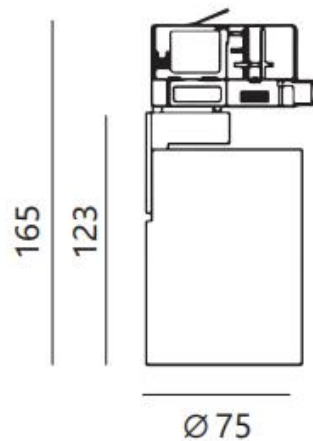
ORDER TEMPLATE

Item	housing color	Color Temperature	Beam Angle	Item number Example
SHA20	B (black)	27 (2700K)	15 (15°)	SHA20-B2715
		30 (3000K)	24 (24°)	SHA20-W3024
	W (white)	40 (4000K)	38 (38°)	
			60 (60°)	

PHOTO



DIMMENSION



ACCESSORY

HONEY COMB

CROSS LOUVER



Sharp Standard

TECHNICAL DATA

MOUNTING

Mounting location	Ceiling
Type	Track light
Adaptor	4 wires 3 circuits

ELECTRICAL

Input Voltage	AC220-240V
Frequency	50/60HZ

DRIVER

Type	Integrated
Voltage & Current	DC36V 700mA
Driver brand	Tridonic non-dim
Power Factor	>0.9
Dimmable	TRAIC/0-10V/DALI

LED

Chips brand	Luminus
Chips information	DC36V COB
Power	30w
Color Temperature	2700K/3000K/4000K
CRI	Ra>90

LAMP

Material	Die-casting aluminum
Housing color	white/black
Inner ring color	Same as housing
Beam Angle	15°/24°/38°/60°
Unified glare rating(UGR)	<19
Adjustibility	90° tilt and 350° Rotation
Ingress Protection	IP20

NOMINAL FLUX

Luminaire lumen efficiency	80-90lm/w
Fitting luminous Flux	2700K 2400lm 3000K 2550lm 4000K 2700lm

Packing Content

PC/CTN	15pcs
Carton Size	57x36x29cm

ORDER TEMPLATE

Item	housing color	Color Temperature	Beam Angle	Item number Example
SHA30	B (black)	27 (2700K)	15 (15°)	SHA30-B2715
		30 (3000K)	24 (24°)	SHA30-W3024
	W (white)	40 (4000K)	38 (38°)	
			60 (60°)	

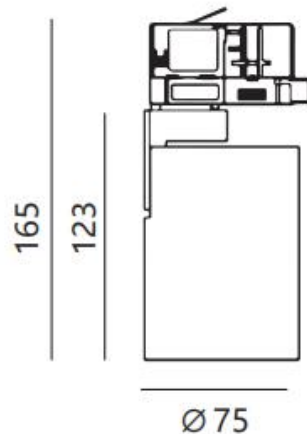
PRODUCT DESCRIPTION

Sharp, high performance accent lighting. Built-in driver, offers a decent and clear look, lumen efficiency up to 90lm/w. Can be dressed with honey comb, cross louver to enhance the visual quality, reduce glare.

PHOTO



DIMMENSION



ACCESSORY

HONEY COMB

CROSS LOUVER

