

Prolight Downlight

TECHNICAL DATA

MOUNTING

Mounting location	Ceiling
Type	Recessed
Cut-out:	φ75mm

ELECTRICAL

Input Voltage	AC220-240V
Frequency	50/60HZ

DRIVER

Type	Remote
Voltage & Current	DC36-40V 200mA
Driver brand	Philips
Power Factor	>0.5
Dimming Option	TRIAC/0-10V/DALI

LED

Chips brand	Luminus COB
Power	9w
Color Temperature	3000K/4000K/5000K
CRI	Ra>90

LAMP

Material	Die-casting aluminum
Frame color	white
Inner trim color	matt white/ matt black/matt silver/chrome
Beam Angle	15°/24°/36°/50°
Ingress Protection	IP20/IP65

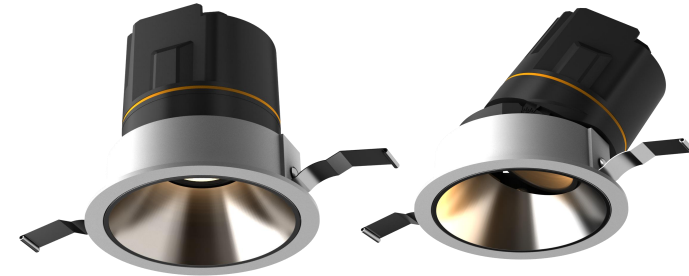
NOMINAL FLUX

Luminaire lumen efficiency	70lm/w
Fitting luminous Flux	630lm

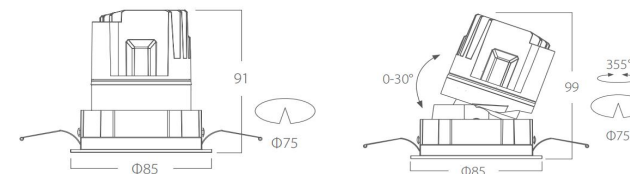
ORDER TEMPLATE

Item	housing color	Inner trim color	Beam Angle	CCT	Item number Example
PRO-FR09	W (white)	B (black)	15	(3000K)	PRO-FR09-WB3015
PRO-AR09	B (white)	W (white)	24	(4000K)	PRO-AR09-BW4024

PHOTO



DIMMENSION



Prolight Downlight

TECHNICAL DATA

MOUNTING

Mounting location	Ceiling
Type	Recessed
Cut-out:	φ75mm

ELECTRICAL

Input Voltage	AC220-240V
Frequency	50/60HZ

DRIVER

Type	Remote
Voltage & Current	DC36-40V 200mA
Driver brand	Philips
Power Factor	>0.5
Dimming Option	TRIAC/0-10V/DALI

LED

Chips brand	Luminus COB
Power	9w
Color Temperature	3000K/4000K/5000K
CRI	Ra>90

LAMP

Material	Die-casting aluminum
Frame color	white
Inner trim color	matt white/ matt black/matt silver/chrome
Beam Angle	15°/24°/36°/50°
Ingress Protection	IP20/IP65

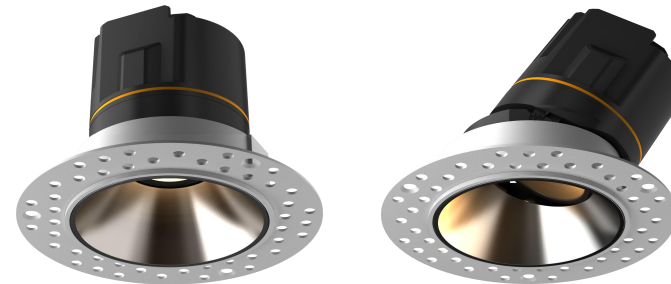
NOMINAL FLUX

Luminaire lumen efficiency	70lm/w
Fitting luminous Flux	630lm

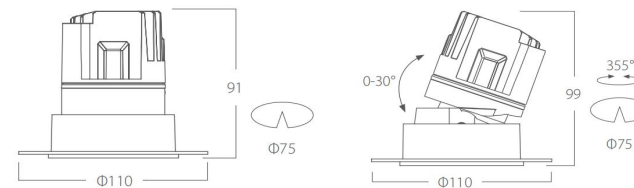
ORDER TEMPLATE

Item	housing color	Inner trim color	Beam Angle	CCT	Item number Example
PRO-TR09	W (white)	B (black)	15	(3000K)	PRO-TR09-WB3015
PRO-ATR09	B (white)	W (white)	24	(4000K)	PRO-ATR09-BW4024

PHOTO



DIMMENSION



Prolight Downlight

TECHNICAL DATA

MOUNTING

Mounting location	Ceiling
Type	Recessed
Cut-out:	75*75mm

ELECTRICAL

Input Voltage	AC220-240V
Frequency	50/60HZ

DRIVER

Type	Remote
Voltage & Current	DC36-40V 200mA
Driver brand	Philips
Power Factor	>0.5
Dimming Option	TRIAC/0-10V/DALI

LED

Chips brand	Luminus COB
Power	9w
Color Temperature	3000K/4000K/5000K
CRI	Ra>90

LAMP

Material	Die-casting aluminum
Frame color	white
Inner trim color	matt white/ matt black/matt silver/chrome
Beam Angle	15°/24°/36°/50°
Ingress Protection	IP20/IP65

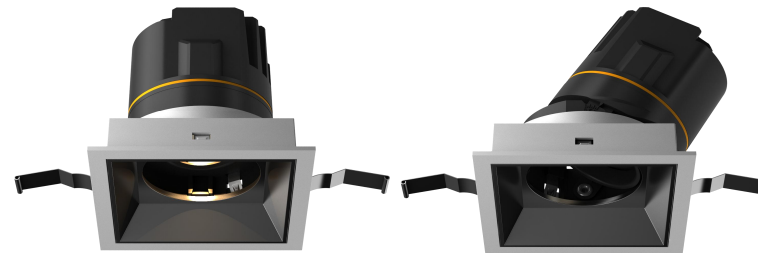
NOMINAL FLUX

Luminaire lumen efficiency	70lm/w
Fitting luminous Flux	630lm

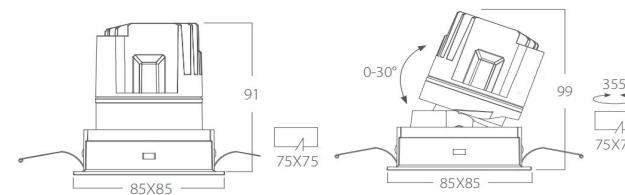
ORDER TEMPLATE

Item	housing color	Inner trim color	Beam Angle	CCT	Item number Example
PRO-FS09	W (white)	B (black)	15	(3000K)	PRO-FS09-WB3015
PRO-AS09	B (white)	W (white)	24	(4000K)	PRO-AS09-BW4024

PHOTO



DIMMENSION



Prolight Downlight

TECHNICAL DATA

MOUNTING

Mounting location	Ceiling
Type	Recessed
Cut-out:	75*75mm

ELECTRICAL

Input Voltage	AC220-240V
Frequency	50/60HZ

DRIVER

Type	Remote
Voltage & Current	DC36-40V 200mA
Driver brand	Philips
Power Factor	>0.5
Dimming Option	TRIAC/0-10V/DALI

LED

Chips brand	Luminus COB
Power	9w
Color Temperature	3000K/4000K/5000K
CRI	Ra>90

LAMP

Material	Die-casting aluminum
Frame color	white
Inner trim color	matt white/ matt black/matt sliver/chrome
Beam Angle	15°/24°/36°/50°
Ingress Protection	IP20/IP65

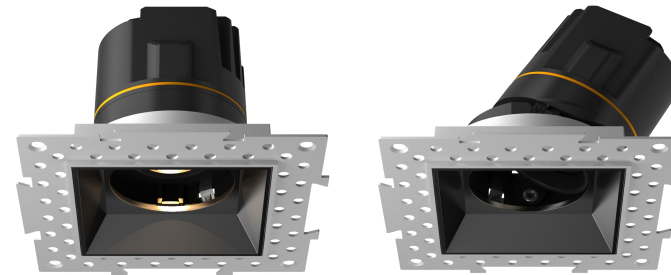
NOMINAL FLUX

Luminaire lumen efficiency	70lm/w
Fitting luminous Flux	630lm

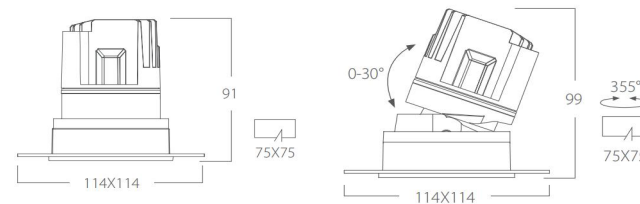
ORDER TEMPLATE

Item	housing color	Inner trim color	Beam Angle	CCT	Item number Example
PRO-TS09	W (white)	B (black)	15	(3000K)	PRO-TS09-WB3015
PRO-ATS09	B (white)	W (white)	24	(4000K)	PRO-ATS09-BW4024

PHOTO



DIMMENSION



Prolight Downlight

TECHNICAL DATA

MOUNTING

Mounting location	Ceiling
Type	Recessed
Cut-out:	φ75mm

ELECTRICAL

Input Voltage	AC220-240V
Frequency	50/60HZ

DRIVER

Type	Remote
Voltage & Current	DC36-40V 280mA
Driver brand	Philips
Power Factor	>0.5
Dimming Option	TRIAC/0-10V/DALI

LED

Chips brand	Luminus COB
Power	12w
Color Temperature	3000K/4000K/5000K
CRI	Ra>90

LAMP

Material	Die-casting aluminum
Frame color	white
Inner trim color	white
Beam Angle	Wall wahser
Ingress Protection	IP20/IP65

NOMINAL FLUX

Luminaire lumen efficiency	75lm/w
Fitting luminous Flux	900lm

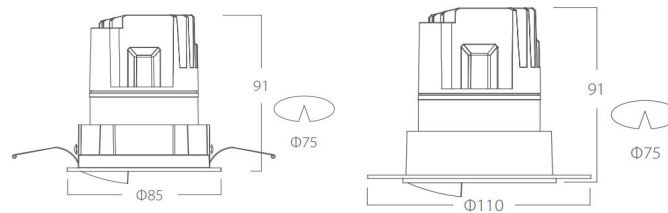
ORDER TEMPLATE

Item	housing color	Inner trim color	Beam Angle	CCT	Item number Example
PRO-WWR12	W (white)	W (white)	/	(3000K)	PRO-WWR12-W30
PRO-WWTR12	W (white)	W (white)	/	(4000K)	PRO-WWTR12-W40

PHOTO



DIMMENSION



Prolight Downlight

TECHNICAL DATA

MOUNTING

Mounting location	Ceiling
Type	Recessed
Cut-out:	75*75mm

ELECTRICAL

Input Voltage	AC220-240V
Frequency	50/60HZ

DRIVER

Type	Remote
Voltage & Current	DC36-40V 280mA
Driver brand	Philips
Power Factor	>0.5
Dimming Option	TRIAC/0-10V/DALI

LED

Chips brand	Luminus COB
Power	12w
Color Temperature	3000K/4000K/5000K
CRI	Ra>90

LAMP

Material	Die-casting aluminum
Frame color	white
Inner trim color	white
Beam Angle	Wall washer
Ingress Protection	IP20/IP65

NOMINAL FLUX

Luminaire lumen efficiency	75lm/w
Fitting luminous Flux	900lm

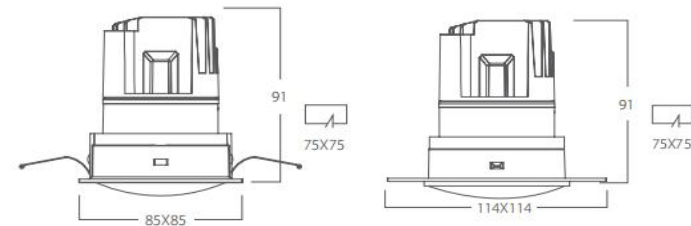
ORDER TEMPLATE

Item	housing color	Inner trim color	Beam Angle	CCT	Item number Example
PRO-WWS12	W (white)	W (white)	/	(3000K)	PRO-WWS12-W30
PRO-WWTS12	W (white)	W (white)	/	(4000K)	PRO-WWTS12-W40

PHOTO



DIMMENSION



Prolight Downlight

TECHNICAL DATA

MOUNTING

Mounting location	Ceiling
Type	Recessed
Cut-out:	φ105mm

ELECTRICAL

Input Voltage	AC220-240V
Frequency	50/60HZ

DRIVER

Type	Remote
Voltage & Current	DC36-40V 500mA
Driver brand	Philips
Power Factor	>0.5
Dimming Option	TRIAC/0-10V/DALI

LED

Chips brand	Luminus COB
Power	20w
Color Temperature	3000K/4000K/5000K
CRI	Ra>90

LAMP

Material	Die-casting aluminum
Frame color	white
Inner trim color	Chrome
Beam Angle	15°/24°/36°/50°
Ingress Protection	IP20/IP65

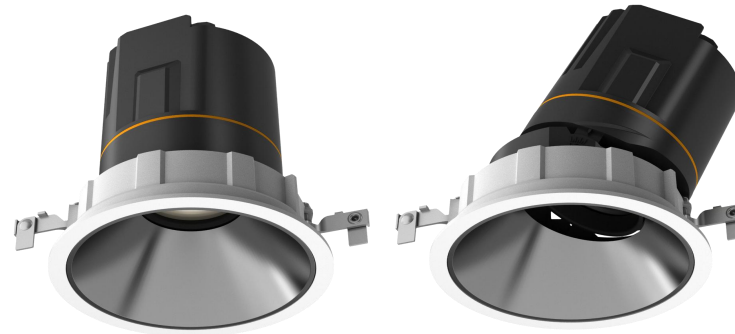
NOMINAL FLUX

Luminaire lumen efficiency	75lm/w
Fitting luminous Flux	1500lm

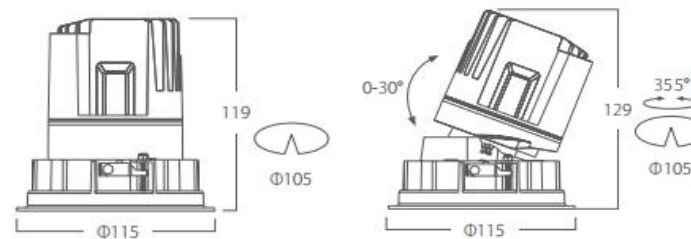
ORDER TEMPLATE

Item	housing color	Inner trim color	Beam Angle	CCT	Item number Example
RPO-FR20	W (white)	C (chrome)	15	(3000K)	RPO-FR20-W3015
RPO-AR20	W (white)	C (chrome)	24	(4000K)	RPO-AR20-W4024

PHOTO



DIMMENSION



Prolight Downlight

TECHNICAL DATA

MOUNTING

Mounting location	Ceiling
Type	Recessed
Cut-out:	φ150mm

ELECTRICAL

Input Voltage	AC220-240V
Frequency	50/60HZ

DRIVER

Type	Remote
Voltage & Current	DC36-40V 800mA
Driver brand	Philips
Power Factor	>0.5
Dimming Option	TRIAC/0-10V/DALI

LED

Chips brand	Luminus COB
Power	35w
Color Temperature	3000K/4000K/5000K
CRI	Ra>90

LAMP

Material	Die-casting aluminum
Frame color	white
Inner trim color	Chrome
Beam Angle	15°/24°/36°/50°
Ingress Protection	IP20/IP65

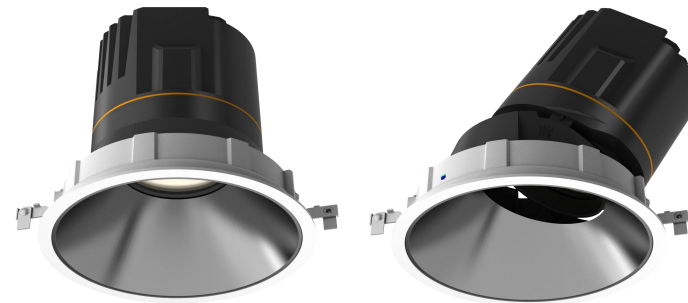
NOMINAL FLUX

Luminaire lumen efficiency	75lm/w
Fitting luminous Flux	1500lm

ORDER TEMPLATE

Item	housing color	Inner trim color	Beam Angle	CCT	Item number Example
RPO-FR35	W (white)	C (chrome)	15	(3000K)	RPO-FR35-W3015
RPO-AR35	W (white)	C (chrome)	24	(4000K)	RPO-AR35-W4024

PHOTO



DIMMENSION

