

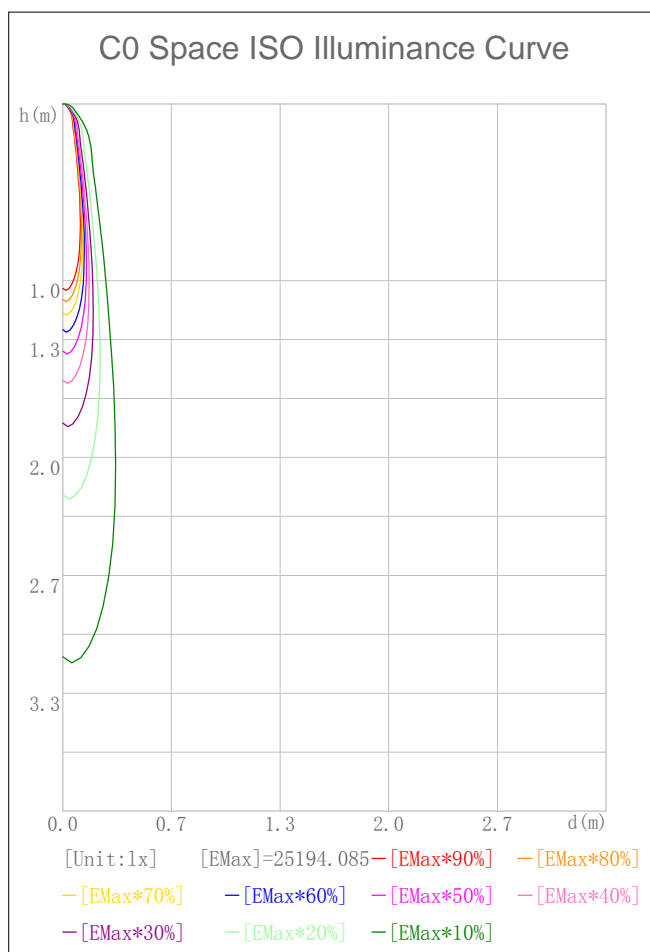
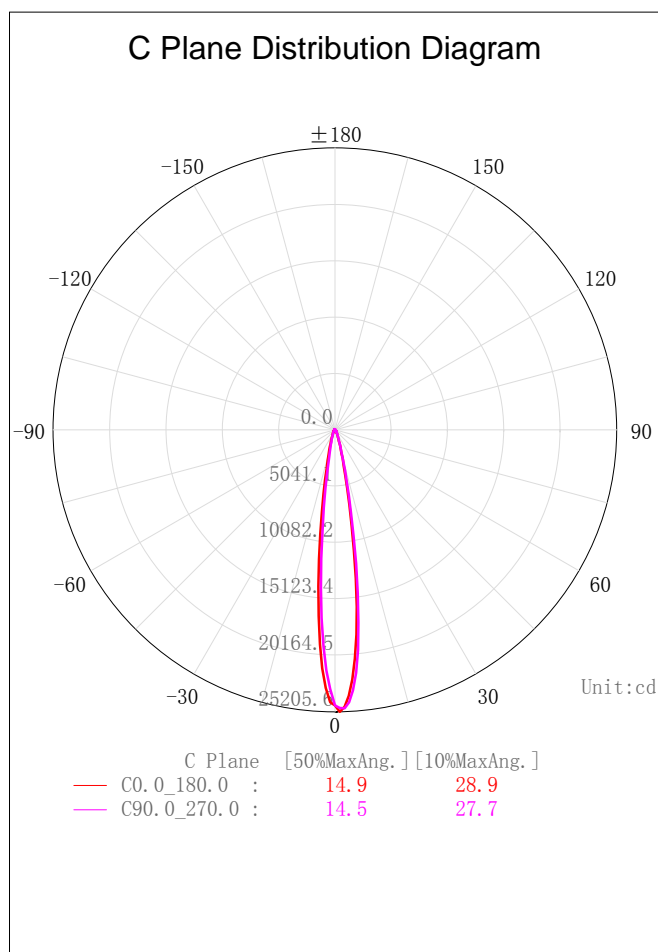
Indoor Luminaire Photometric Data

Description Information

Luminary Name:	Lum. Catalog:	Test ID: 001
Lamp Name:	Lamp Catalog:	Test Date: 2019/09/26
Manufacture:	Shld. Ang(°):	Test Machine:GON-2000
Test Lab: Volnic IES	Frequency (Hz):	Lamp CCT(K): Ra:
Lum. Size (W*L*H): 0.150m*0.150m*0.000m	Lum. Area (m2): 0.018	Lum. W (kg): 1.000
Test System: C, γ	Test Step: C=30.0 γ=1.0	Temp. (°C): 25
		Humidity (%): 50.0

Character Parameter

Lamp Speciality Parameter		Luminaire Speciality Parameter	
Rated Flux(lm): 2758.190	Luminary Flux(lm): 2758.186	Field Angle(10%Imax): 28.9(°)	
Rated Power(W):	Luminary Efficiency: 100.00%	Down Lumens&Percent: 2637.142lm 95.61%	
Rated Voltage(V):	Luminary EER(lm/W): 85.578	Up Lumens&Percent: 121.045lm 4.39%	
Tested Power(W): 32.230	Max. Candela(cd): 25205.600	S/MH: C0_a180=0.262 C90_270=0.253	
Lamps' Inside: 1	Max Cand@Ang. (°): C=0.0 γ=1.0	CIE Type: Semi-Direct	
Tested Electrics (V, A, pf): 220.3, 0.149, 0.978	Beam Angle(50%Imax): 14.9(°)	ErP Φ use(90°): 2486.384lm	
Lamp Size (W*L*H): 0.150m*0.150m*0.000m	Left=-6.6°, Right=8.3°	IRF (%): 1947.942	



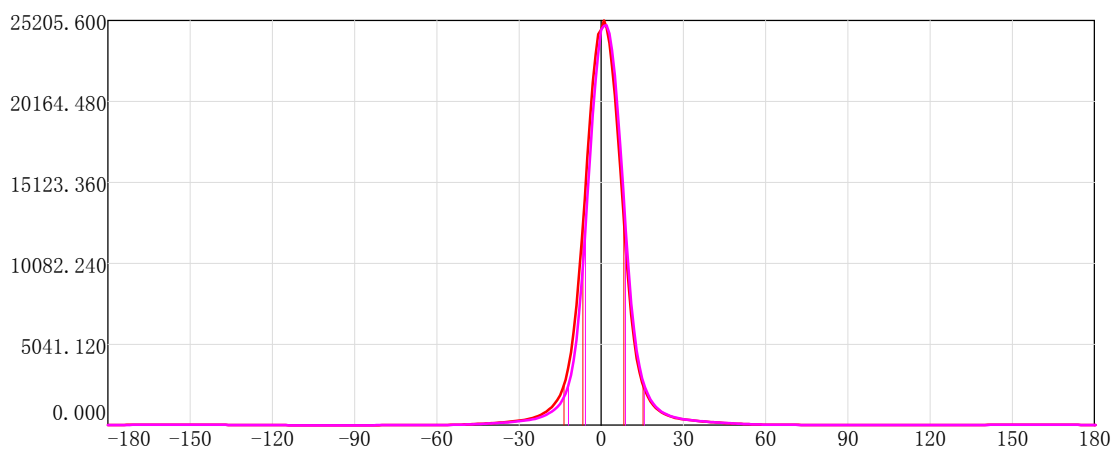
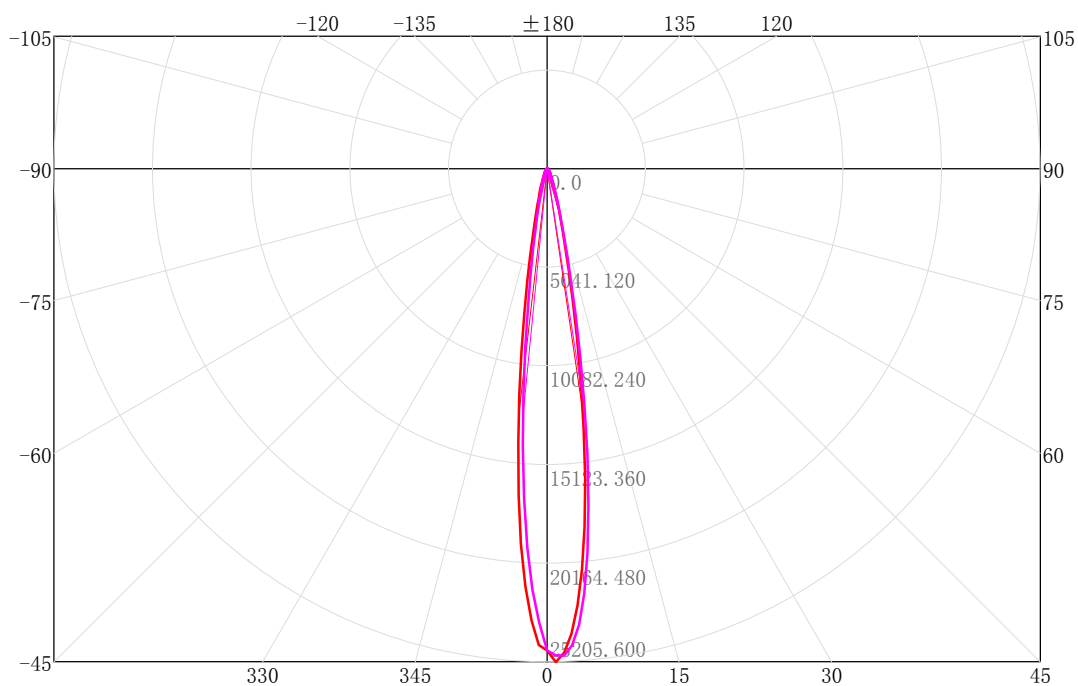
IES Indoor Report

Photometric Filename:Prolight 3000K White 15度 35W.IES

2D Plane Light Intensity Distribution Curve

Lum. Name:	Lum. Catalog:	Test ID: 001
Lamp Name:	Lamp Catalog:	Test Lab: Volnic IES
Manufacture:	Test Machine:GON-2000	Test Date: 2019/09/26

C Plane Distribution Diagram



	C Plane	[50%MaxAng.]	[10%MaxAng.]	Unit:cd
—	C0_0_180.0 :	14.9	28.9	
—	C90_0_270.0 :	14.5	27.7	

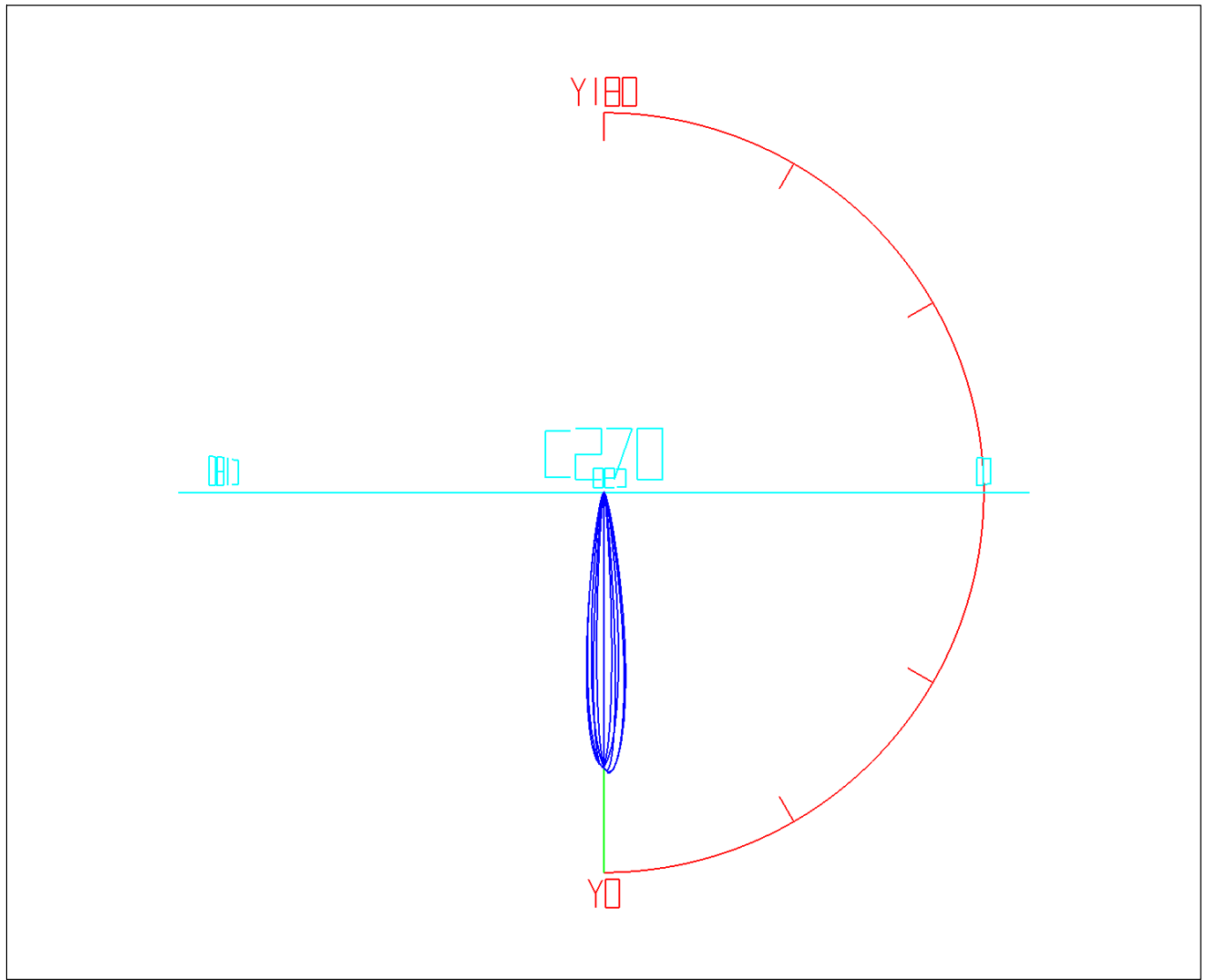
IES Indoor Report

Photometric Filename:Prolight 3000K White 15度 35W.IES

3D Light Intensity Distribution Modal

Lum. Name:	Lum. Catalog:	Test ID: 001
Lamp Name:	Lamp Catalog:	Test Lab: Volnic IES
Manufacture:	Test Machine:GON-2000	Test Date: 2019/09/26

3D Light Intensity Distribution Modal



Curves: 3D Model ——— Fixture ——— Vert. HUD ——— Hori. HUD ———
View Angles: Orient:0 Tilt:0 Roll:0 Spin:0

IES Indoor Report

Photometric Filename:Prolight 3000K White 15度 35W.IES

Zonal Flux Tabulation

Zone (γ)	Zone Flux (lm)	Sums Flux (lm)	Zone%Lamp	Sums%Lamp	Zone (γ)	Zone Flux (lm)	Sums Flux (lm)	Zone%Lamp	Sums%Lamp
0.0-1.0	23.40	23.40	0.85	0.85	47.0-48.0	7.62	2516.94	0.28	91.25
1.0-2.0	68.49	91.88	2.48	3.33	48.0-49.0	7.06	2524.00	0.26	91.51
2.0-3.0	108.97	200.86	3.95	7.28	49.0-50.0	6.52	2530.52	0.24	91.75
3.0-4.0	142.16	343.01	5.15	12.44	50.0-51.0	6.03	2536.56	0.22	91.96
4.0-5.0	165.97	508.99	6.02	18.45	51.0-52.0	5.59	2542.15	0.20	92.17
5.0-6.0	179.18	688.17	6.50	24.95	52.0-53.0	5.19	2547.34	0.19	92.36
6.0-7.0	181.79	869.96	6.59	31.54	53.0-54.0	4.83	2552.17	0.18	92.53
7.0-8.0	175.18	1045.14	6.35	37.89	54.0-55.0	4.49	2556.66	0.16	92.69
8.0-9.0	161.60	1206.74	5.86	43.75	55.0-56.0	4.16	2560.81	0.15	92.84
9.0-10.0	143.83	1350.58	5.21	48.97	56.0-57.0	3.83	2564.64	0.14	92.98
10.0-11.0	124.85	1475.42	4.53	53.49	57.0-58.0	3.53	2568.17	0.13	93.11
11.0-12.0	106.87	1582.29	3.87	57.37	58.0-59.0	3.25	2571.42	0.12	93.23
12.0-13.0	91.04	1673.33	3.30	60.67	59.0-60.0	3.04	2574.46	0.11	93.34
13.0-14.0	77.83	1751.16	2.82	63.49	60.0-61.0	2.88	2577.34	0.10	93.44
14.0-15.0	67.12	1818.28	2.43	65.92	61.0-62.0	2.77	2580.11	0.10	93.54
15.0-16.0	58.45	1876.74	2.12	68.04	62.0-63.0	2.71	2582.81	0.10	93.64
16.0-17.0	51.42	1928.16	1.86	69.91	63.0-64.0	2.65	2585.47	0.10	93.74
17.0-18.0	45.68	1973.84	1.66	71.56	64.0-65.0	2.60	2588.07	0.09	93.83
18.0-19.0	40.90	2014.73	1.48	73.05	65.0-66.0	2.55	2590.62	0.09	93.92
19.0-20.0	36.86	2051.59	1.34	74.38	66.0-67.0	2.50	2593.13	0.09	94.02
20.0-21.0	33.41	2085.00	1.21	75.59	67.0-68.0	2.45	2595.57	0.09	94.10
21.0-22.0	30.45	2115.45	1.10	76.70	68.0-69.0	2.40	2597.97	0.09	94.19
22.0-23.0	27.91	2143.36	1.01	77.71	69.0-70.0	2.34	2600.31	0.08	94.28
23.0-24.0	25.73	2169.09	0.93	78.64	70.0-71.0	2.29	2602.60	0.08	94.36
24.0-25.0	23.87	2192.96	0.87	79.51	71.0-72.0	2.24	2604.85	0.08	94.44
25.0-26.0	22.29	2215.26	0.81	80.32	72.0-73.0	2.19	2607.04	0.08	94.52
26.0-27.0	20.99	2236.25	0.76	81.08	73.0-74.0	2.14	2609.17	0.08	94.60
27.0-28.0	19.91	2256.16	0.72	81.80	74.0-75.0	2.09	2611.26	0.08	94.67
28.0-29.0	18.99	2275.15	0.69	82.49	75.0-76.0	2.03	2613.29	0.07	94.75
29.0-30.0	18.20	2293.36	0.66	83.15	76.0-77.0	1.98	2615.28	0.07	94.82
30.0-31.0	17.49	2310.84	0.63	83.78	77.0-78.0	1.93	2617.21	0.07	94.89
31.0-32.0	16.81	2327.65	0.61	84.39	78.0-79.0	1.88	2619.10	0.07	94.96
32.0-33.0	16.17	2343.82	0.59	84.98	79.0-80.0	1.84	2620.93	0.07	95.02
33.0-34.0	15.53	2359.35	0.56	85.54	80.0-81.0	1.79	2622.73	0.07	95.09
34.0-35.0	14.90	2374.25	0.54	86.08	81.0-82.0	1.75	2624.48	0.06	95.15
35.0-36.0	14.29	2388.54	0.52	86.60	82.0-83.0	1.71	2626.19	0.06	95.21
36.0-37.0	13.70	2402.23	0.50	87.09	83.0-84.0	1.67	2627.86	0.06	95.27
37.0-38.0	13.13	2415.37	0.48	87.57	84.0-85.0	1.63	2629.49	0.06	95.33
38.0-39.0	12.60	2427.96	0.46	88.03	85.0-86.0	1.60	2631.08	0.06	95.39
39.0-40.0	12.08	2440.04	0.44	88.47	86.0-87.0	1.56	2632.64	0.06	95.45
40.0-41.0	11.54	2451.58	0.42	88.88	87.0-88.0	1.53	2634.17	0.06	95.50
41.0-42.0	11.01	2462.59	0.40	89.28	88.0-89.0	1.50	2635.67	0.05	95.56
42.0-43.0	10.47	2473.06	0.38	89.66	89.0-90.0	1.47	2637.14	0.05	95.61
43.0-44.0	9.91	2482.98	0.36	90.02	90.0-91.0	1.44	2638.58	0.05	95.66
44.0-45.0	9.36	2492.34	0.34	90.36	91.0-92.0	1.42	2640.00	0.05	95.71
45.0-46.0	8.79	2501.13	0.32	90.68	92.0-93.0	1.39	2641.39	0.05	95.77
46.0-47.0	8.20	2509.32	0.30	90.98	93.0-94.0	1.37	2642.76	0.05	95.81

IES Indoor Report

Photometric Filename:Prolight 3000K White 15度 35W.IES

Zonal Flux Tabulation - (Cont.)

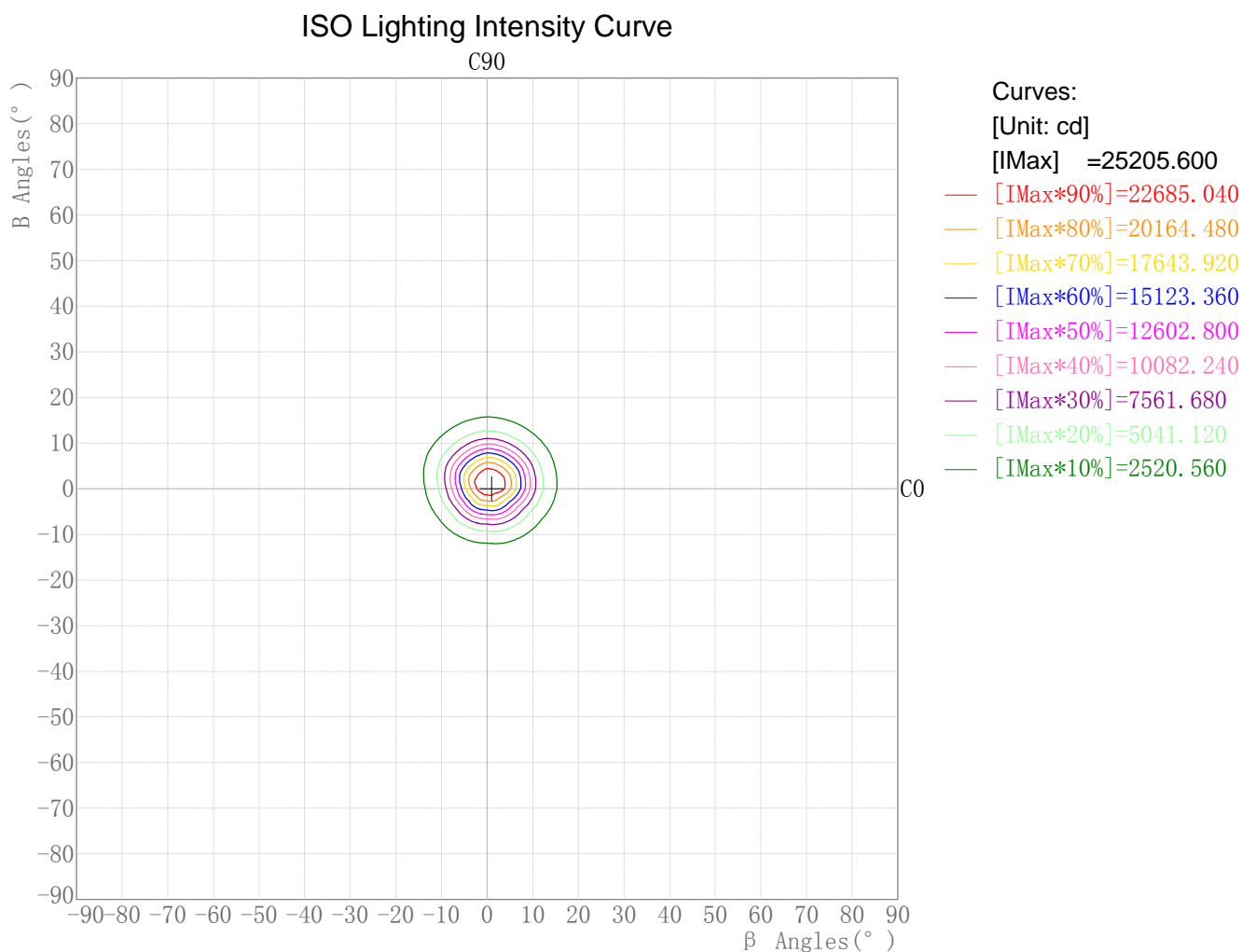
Zone (γ)	Zone Flux (lm)	Sums Flux (lm)	Zone%Lamp	Sums%Lamp	Zone (γ)	Zone Flux (lm)	Sums Flux (lm)	Zone%Lamp	Sums%Lamp
94.0-95.0	1.35	2644.10	0.05	95.86	141.0-142.0	2.13	2713.59	0.08	98.38
95.0-96.0	1.33	2645.43	0.05	95.91	142.0-143.0	2.12	2715.71	0.08	98.46
96.0-97.0	1.31	2646.74	0.05	95.96	143.0-144.0	2.11	2717.82	0.08	98.54
97.0-98.0	1.29	2648.02	0.05	96.01	144.0-145.0	2.09	2719.91	0.08	98.61
98.0-99.0	1.27	2649.29	0.05	96.05	145.0-146.0	2.06	2721.97	0.07	98.69
99.0-100.0	1.26	2650.55	0.05	96.10	146.0-147.0	2.03	2724.00	0.07	98.76
100.0-101.0	1.25	2651.80	0.05	96.14	147.0-148.0	1.99	2725.99	0.07	98.83
101.0-102.0	1.24	2653.03	0.04	96.19	148.0-149.0	1.95	2727.94	0.07	98.90
102.0-103.0	1.23	2654.26	0.04	96.23	149.0-150.0	1.90	2729.84	0.07	98.97
103.0-104.0	1.23	2655.49	0.04	96.28	150.0-151.0	1.85	2731.70	0.07	99.04
104.0-105.0	1.23	2656.72	0.04	96.32	151.0-152.0	1.80	2733.50	0.07	99.10
105.0-106.0	1.22	2657.94	0.04	96.37	152.0-153.0	1.75	2735.24	0.06	99.17
106.0-107.0	1.22	2659.17	0.04	96.41	153.0-154.0	1.69	2736.93	0.06	99.23
107.0-108.0	1.22	2660.39	0.04	96.45	154.0-155.0	1.63	2738.56	0.06	99.29
108.0-109.0	1.22	2661.62	0.04	96.50	155.0-156.0	1.57	2740.14	0.06	99.35
109.0-110.0	1.23	2662.84	0.04	96.54	156.0-157.0	1.51	2741.65	0.05	99.40
110.0-111.0	1.23	2664.07	0.04	96.59	157.0-158.0	1.45	2743.10	0.05	99.45
111.0-112.0	1.23	2665.30	0.04	96.63	158.0-159.0	1.39	2744.49	0.05	99.50
112.0-113.0	1.23	2666.53	0.04	96.68	159.0-160.0	1.32	2745.81	0.05	99.55
113.0-114.0	1.23	2667.77	0.04	96.72	160.0-161.0	1.26	2747.07	0.05	99.60
114.0-115.0	1.24	2669.00	0.04	96.77	161.0-162.0	1.20	2748.27	0.04	99.64
115.0-116.0	1.24	2670.24	0.04	96.81	162.0-163.0	1.13	2749.40	0.04	99.68
116.0-117.0	1.24	2671.49	0.05	96.86	163.0-164.0	1.06	2750.47	0.04	99.72
117.0-118.0	1.25	2672.74	0.05	96.90	164.0-165.0	1.00	2751.46	0.04	99.76
118.0-119.0	1.27	2674.01	0.05	96.95	165.0-166.0	0.93	2752.39	0.03	99.79
119.0-120.0	1.28	2675.28	0.05	96.99	166.0-167.0	0.86	2753.25	0.03	99.82
120.0-121.0	1.29	2676.58	0.05	97.04	167.0-168.0	0.79	2754.03	0.03	99.85
121.0-122.0	1.31	2677.89	0.05	97.09	168.0-169.0	0.71	2754.75	0.03	99.88
122.0-123.0	1.34	2679.23	0.05	97.14	169.0-170.0	0.64	2755.39	0.02	99.90
123.0-124.0	1.37	2680.60	0.05	97.19	170.0-171.0	0.57	2755.96	0.02	99.92
124.0-125.0	1.41	2682.01	0.05	97.24	171.0-172.0	0.50	2756.46	0.02	99.94
125.0-126.0	1.45	2683.46	0.05	97.29	172.0-173.0	0.43	2756.89	0.02	99.95
126.0-127.0	1.50	2684.96	0.05	97.34	173.0-174.0	0.36	2757.25	0.01	99.97
127.0-128.0	1.55	2686.50	0.06	97.40	174.0-175.0	0.30	2757.54	0.01	99.98
128.0-129.0	1.60	2688.11	0.06	97.46	175.0-176.0	0.24	2757.78	0.01	99.99
129.0-130.0	1.66	2689.77	0.06	97.52	176.0-177.0	0.18	2757.96	0.01	99.99
130.0-131.0	1.72	2691.49	0.06	97.58	177.0-178.0	0.13	2758.09	0.00	100.00
131.0-132.0	1.78	2693.28	0.06	97.65	178.0-179.0	0.07	2758.16	0.00	100.00
132.0-133.0	1.84	2695.12	0.07	97.71	179.0-180.0	0.02	2758.19	0.00	100.00
133.0-134.0	1.90	2697.02	0.07	97.78					
134.0-135.0	1.95	2698.97	0.07	97.85					
135.0-136.0	2.00	2700.97	0.07	97.93					
136.0-137.0	2.04	2703.02	0.07	98.00					
137.0-138.0	2.08	2705.09	0.08	98.07					
138.0-139.0	2.10	2707.20	0.08	98.15					
139.0-140.0	2.12	2709.32	0.08	98.23					
140.0-141.0	2.13	2711.45	0.08	98.31					

IES Indoor Report

Photometric Filename:Prolight 3000K White 15度 35W.IES

Rectangle ISO Lighting Intensity Diagram

Lum. Name:	Lum. Catalog:	Test ID: 001
Lamp Name:	Lamp Catalog:	Test Lab: Volnic IES
Manufacture:	Test Machine:GON-2000	Test Date: 2019/09/26



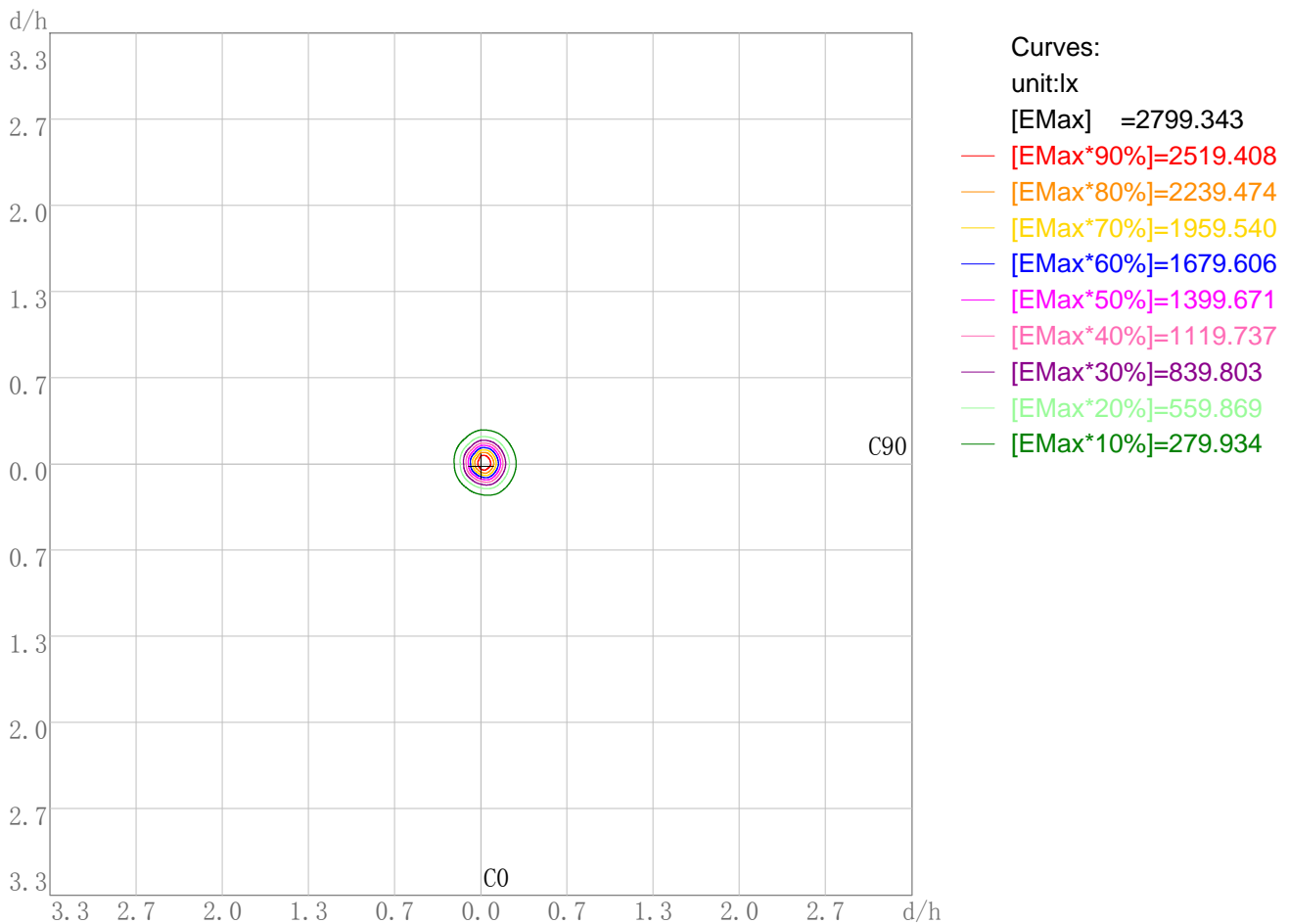
IES Indoor Report

Photometric Filename:Prolight 3000K White 15度 35W.IES

Plane ISO-Illuminance Diagram

Lum. Name:	Lum. Catalog:	Test ID: 001
Lamp Name:	Lamp Catalog:	Test Lab: Volnic IES
Manufacture:	Test Machine:GON-2000	Test Date: 2019/09/26

Plane ISO-Illuminance Curve



Working Plane Luminaire Mounting Height(m): 3.00
 Working Plane Maximum Illuminance(lx): 2799.34
 Working Plane Maximum Illuminance Position(d/h):H0.0 V0.0

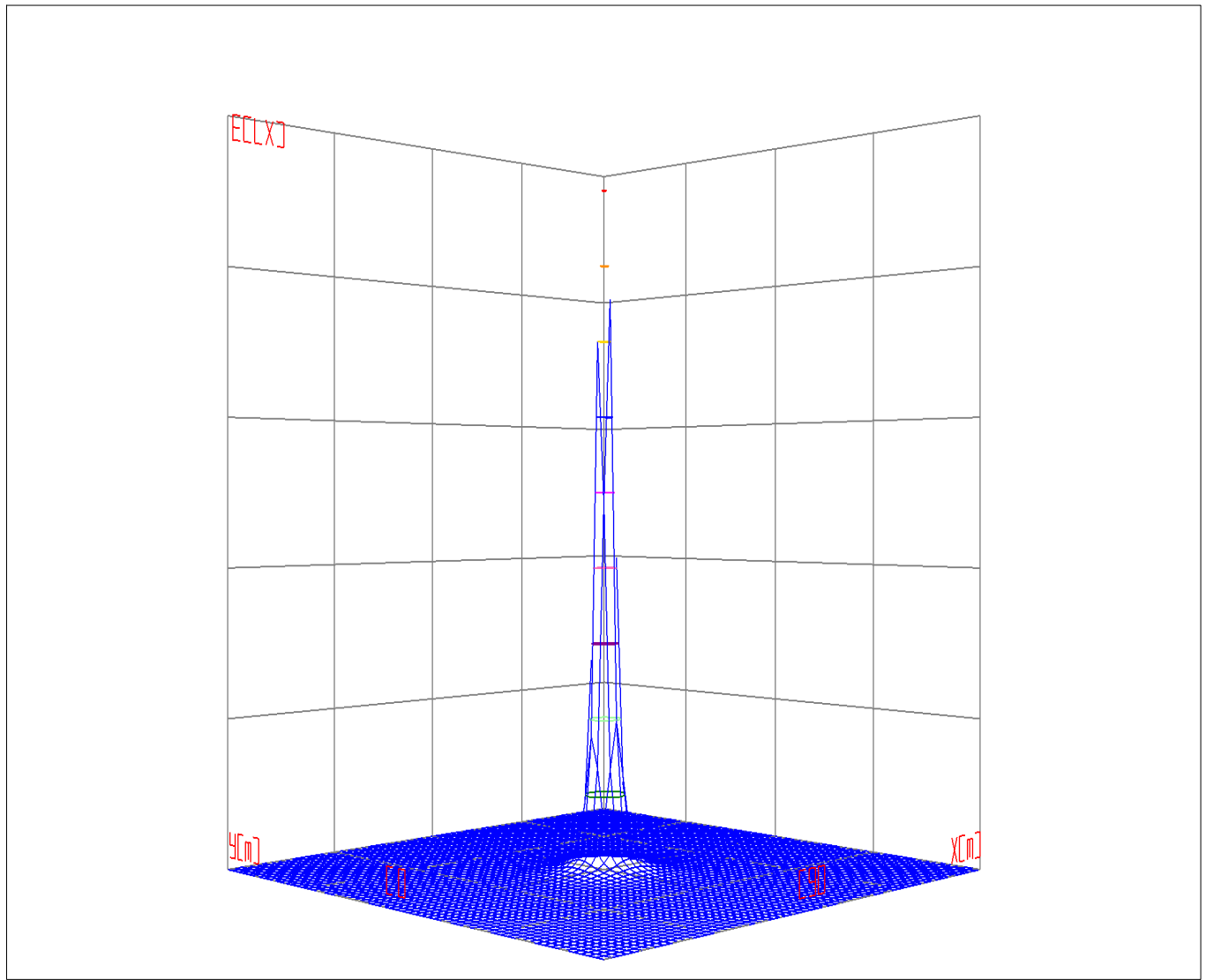
IES Indoor Report

Photometric Filename:Prolight 3000K White 15度 35W.IES

3D Plane ISO Illuminance Diagram

Lum. Name:	Lum. Catalog:	Test ID: 001
Lamp Name:	Lamp Catalog:	Test Lab: Volnic IES
Manufacture:	Test Machine:GON-2000	Test Date: 2019/09/26

3D Plane Illuminance Modal

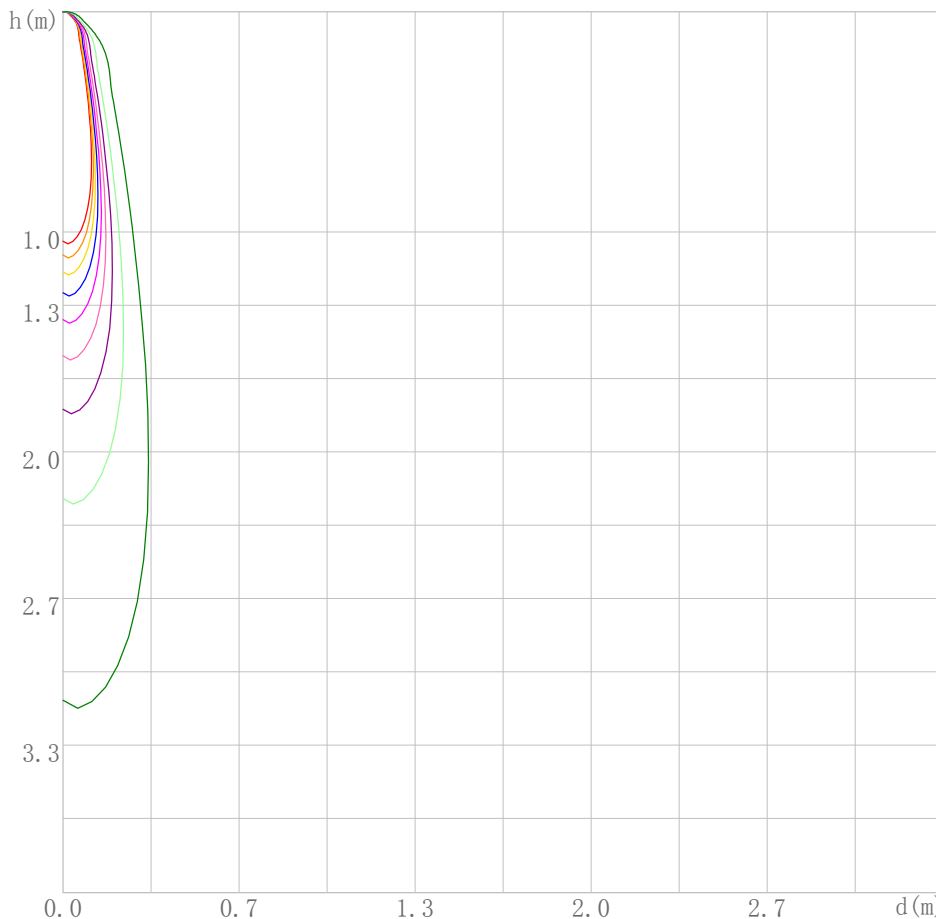


Curves: 3D Model — 90% — 80% — 70% — 60% — 50% — 40% — 30% — 20% — 10% —
View Angles(deg): 0 Height(m): 3.0 Distance(m): 10.0

Space ISO Illuminance Diagram

Lum. Name:	Lum. Catalog:	Test ID: 001
Lamp Name:	Lamp Catalog:	Test Lab: Volnic IES
Manufacture:	Test Machine:GON-2000	Test Date: 2019/09/26

Space ISO Illuminance Curve



- Curves:
 [Unit: lx]
 [EMax] =25194.085
- [EMax*90%]=22674.676
 - [EMax*80%]=20155.268
 - [EMax*70%]=17635.859
 - [EMax*60%]=15116.451
 - [EMax*50%]=12597.042
 - [EMax*40%]=10077.634
 - [EMax*30%]=7558.225
 - [EMax*20%]=5038.817
 - [EMax*10%]=2519.408

Space Plane Maximum Illuminance and @Angle:25194.08lx,1.0deg
 Plane Maximum Lighting Intensity and @Angle:25205.600cd,0deg

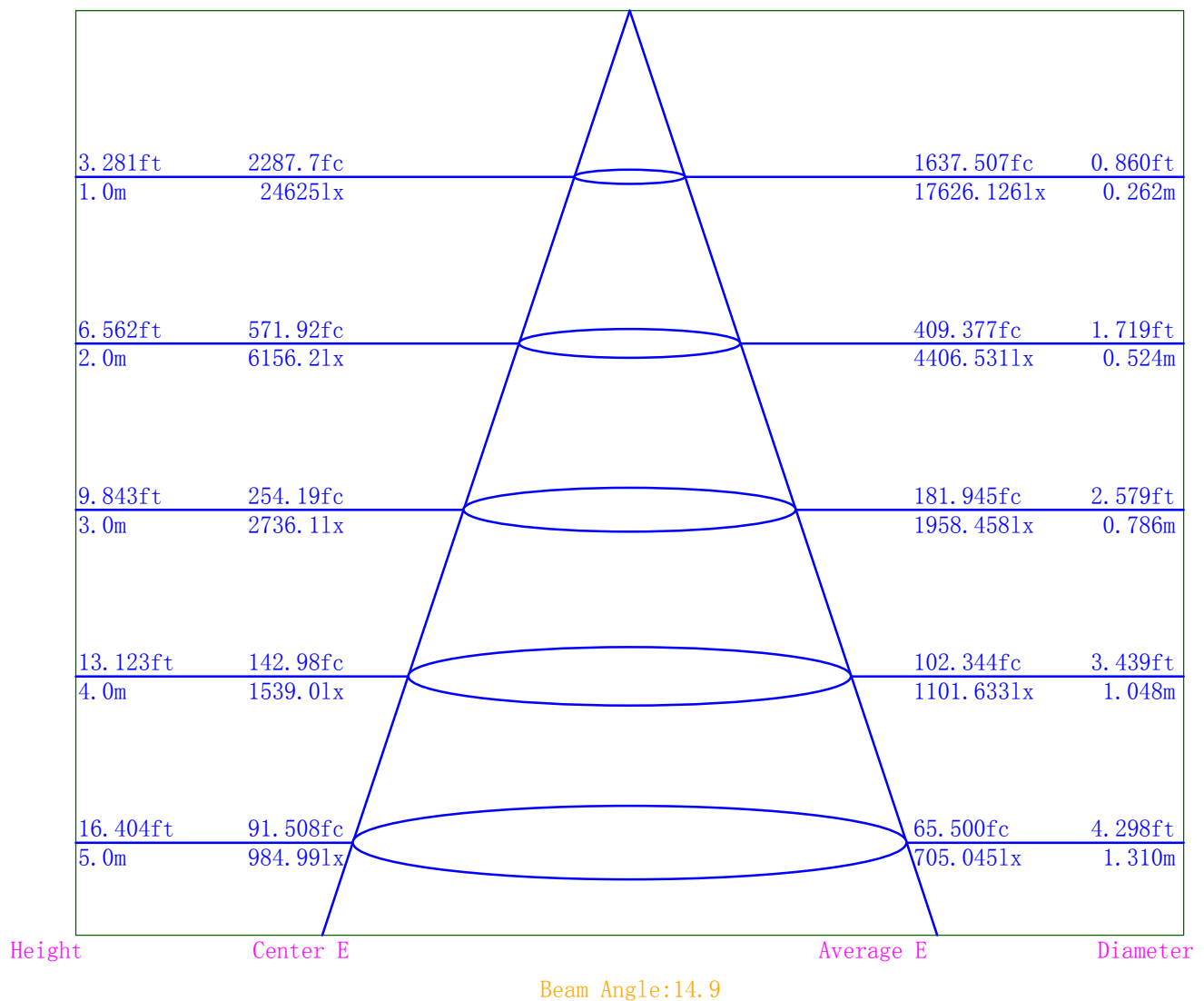
IES Indoor Report

Photometric Filename:Prolight 3000K White 15度 35W.IES

Illuminance-Distance Diagram

Lum. Name:	Lum. Catalog:	Test ID: 001
Lamp Name:	Lamp Catalog:	Test Lab: Volnic IES
Manufacture:	Test Machine:GON-2000	Test Date: 2019/09/26

Illuminance-Distance Curve



Indoor Luminance Limiting Curves

Lum. Name:	Lum. Catalog:	Test ID: 001
Lamp Name:	Lamp Catalog:	Test Lab: Volnic IES
Manufacture:	Test Machine:GON-2000	Test Date: 2019/09/26

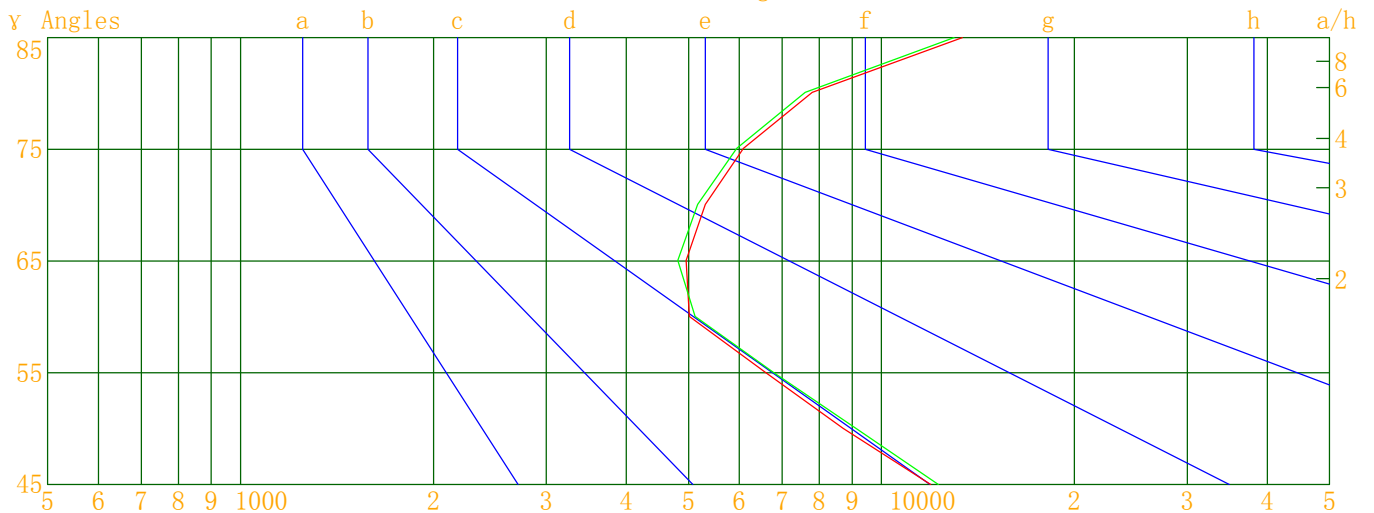
Glare Grade Table

GI	Quality	Using Illuminance							
1.15	A	2000	1000	500	<=300				
1.5	B		2000	1000	500	<=300			
1.85	C			2000	1000	500	<=300		
2.2	D				2000	1000	500	<=300	
2.55	E	a				2000	1000	500	<=300
			b	c	d	e	f	g	h

Luminance Table

Gama (deg)	45	50	55	60	65	70	75	80	85
C0	11928	8714	6594	5017	4956	5311	6093	7802	13367
C90	12266	9128	6787	5119	4809	5164	5943	7605	12978

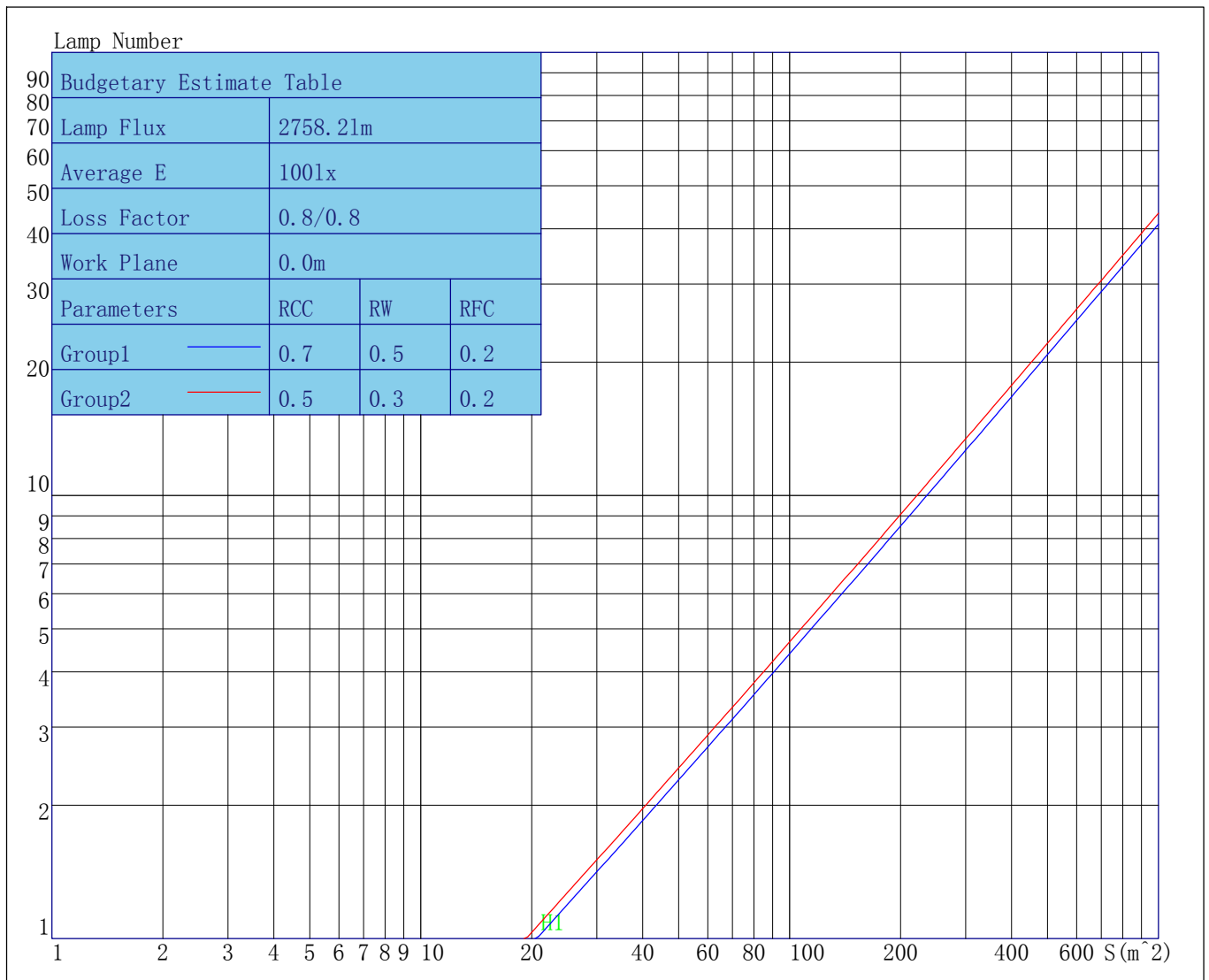
Luminance Limiting Curve



Luminous Size: Length(m)=-0.150 Width(m)=-0.150 Height(m)=0.000 Area(m^2)=0.017671
 Luminous Type: Without Luminous Side
 Luminous Curves: C0-C180 Color: — C90-C270 Color: —

Indoor Budgetary Estimate Table

Lum. Name:	Lum. Catalog:	Test ID: 001
Lamp Name:	Lamp Catalog:	Test Lab: Volnic IES
Manufacture:	Test Machine:GON-2000	Test Date: 2019/09/26



Parameters1: Rhocc = 0.7 Rhow = 0.5 Rhofc = 0.2 LLF = 0.8
 Parameters2: Rhocc = 0.5 Rhow = 0.3 Rhofc = 0.2 LLF = 0.8
 Average Illuminance(lx): 100 Cavity Height: H1(m) = 2

IES Indoor Report

Photometric Filename:Prolight 3000K White 15度 35W.IES

Indoor Coefficient of Utilization Table

Lum. Name:	Lum. Catalog:	Test ID: 001
Lamp Name:	Lamp Catalog:	Test Lab: Volnic IES
Manufacture:	Test Machine:GON-2000	Test Date: 2019/09/26

Coefficients of Utilization - Zonal Cavity Method																		
Coef.	Effective Floor Cavity Reflectance RFC=0.20																	
RhoCC (%)	80				70				50			30			10			0
RhoW (%)	70	50	30	10	70	50	30	10	50	30	10	50	30	10	50	30	10	0
RCR	Coefficient of Utilization(%)																	
0	118	118	118	118	115	115	115	115	109	109	109	103	103	103	98	98	98	96
1	113	111	109	107	111	109	107	105	104	102	101	99	98	97	95	94	94	92
2	109	105	102	99	107	103	100	98	100	97	95	96	94	93	93	91	90	88
3	106	101	97	94	103	99	95	93	96	93	91	93	91	89	90	88	87	85
4	102	97	92	89	100	95	91	88	93	90	87	90	88	86	88	86	84	83
5	99	93	89	86	98	92	88	85	90	87	84	88	85	83	86	84	82	81
6	96	90	86	83	95	89	85	82	87	84	81	86	83	81	84	82	80	79
7	94	87	83	80	93	87	83	80	85	82	79	84	81	78	82	80	78	77
8	92	85	81	78	90	84	80	78	83	80	77	82	79	77	81	78	76	75
9	89	83	79	76	88	82	78	76	81	78	75	80	77	75	79	76	74	73
10	87	81	77	74	86	80	77	74	79	76	74	78	75	73	78	75	73	72

IES Indoor Report

Photometric Filename:Prolight 3000K White 15度 35W.IES

Unified Glare Rating Table

Lum. Name:	Lum. Catalog:	Test ID: 001
Lamp Name:	Lamp Catalog:	Test Lab: Volnic IES
Manufacture:	Test Machine:GON-2000	Test Date: 2019/09/26

Unified Glare Rating Table

Ceiling RCC	0.70	0.70	0.50	0.50	0.30	0.70	0.70	0.50	0.50	0.30
Wall RW	0.50	0.30	0.50	0.30	0.30	0.50	0.30	0.50	0.30	0.30
Floor RFC	0.20	0.20	0.20	0.20	0.20	0.20	0.20	0.20	0.20	0.20
Room Size	Vewed crosswise					Vewed endwise				
X=2H Y=2H	13.2	14.1	13.6	14.5	15.0	14.2	15.1	14.6	15.5	16.0
Y=3H	14.0	14.8	14.5	15.2	15.7	14.9	15.7	15.4	16.2	16.6
Y=4H	14.6	15.4	15.1	15.8	16.3	15.4	16.2	15.9	16.7	17.2
Y=6H	15.4	16.2	15.9	16.6	17.1	16.1	16.8	16.6	17.3	17.8
Y=8H	16.0	16.6	16.5	17.1	17.6	16.6	17.2	17.1	17.7	18.2
Y=12H	16.6	17.2	17.1	17.7	18.3	17.1	17.8	17.6	18.2	18.8
X=4H Y=2H	13.2	14.0	13.7	14.4	14.9	14.3	15.1	14.8	15.5	16.0
Y=3H	14.3	14.9	14.8	15.4	15.9	15.3	15.9	15.8	16.4	17.0
Y=4H	15.1	15.6	15.6	16.1	16.7	16.1	16.6	16.6	17.1	17.7
Y=6H	16.1	16.6	16.7	17.2	17.7	17.0	17.5	17.6	18.1	18.6
Y=8H	16.8	17.3	17.4	17.8	18.4	17.6	18.1	18.2	18.6	19.2
Y=12H	17.6	18.0	18.2	18.6	19.2	18.3	18.7	18.9	19.3	19.9
X=8H Y=4H	15.3	15.7	15.8	16.3	16.8	16.4	16.8	16.9	17.3	17.9
Y=6H	16.6	16.9	17.1	17.5	18.1	17.6	18.0	18.2	18.5	19.2
Y=8H	17.4	17.7	18.0	18.3	18.9	18.4	18.7	19.0	19.3	19.9
Y=12H	18.5	18.8	19.1	19.3	20.0	19.3	19.6	19.9	20.2	20.9
X=12H Y=4H	15.3	15.7	15.9	16.3	16.8	16.4	16.8	17.0	17.4	17.9
Y=6H	16.7	17.0	17.3	17.5	18.2	17.7	18.1	18.4	18.6	19.3
Y=8H	17.6	17.9	18.2	18.5	19.1	18.6	18.9	19.2	19.5	20.2
Variations with the objverer position at spacings										
S=1.0H	0.1/-0.1					0.1/-0.1				
S=1.5H	0.1/-0.2					0.2/-0.2				
S=2.0H	0.1/-0.2					0.1/-0.2				
Reduced UGR Table:										
Nordic Standard Table:	BKO					BKO				
Correction Value	3.4					3.4				

o the CIE Pub. 117, data has been corrected, refers to the lamp's lumens 8.2flm.

IES Indoor Report
Photometric Filename:Prolight 3000K White 15度 35W.IES

Candela Tabulation

V/H	C0.0	C30.0	C60.0	C90.0	C120.0	C150.0	C180.0	C210.0	C240.0	C270.0	C300.0	C330.0
Y 0.0	24624.8	24624.8	24624.8	24624.8	24624.8	24624.8	24624.8	24624.8	24624.8	24624.8	24624.8	24624.8
Y 1.0	25205.6	25121.5	25053.7	24863.4	24673.2	24455.6	24349.1	23536.7	23438.0	23178.0	23593.5	23783.4
Y 2.0	24765.4	25038.4	25014.7	24896.9	24407.6	23976.8	23083.7	21912.7	21802.4	21520.6	22276.8	22653.4
Y 3.0	23797.9	24433.7	24449.7	24388.6	23594.0	22951.1	21358.2	19852.1	19707.3	19372.6	20454.0	21052.4
Y 4.0	22366.0	23333.0	23375.2	23346.6	22267.1	21475.5	19223.6	17429.0	17241.1	16874.3	18215.0	19062.2
Y 5.0	20542.7	21763.8	21804.4	21787.8	20505.6	19583.2	16723.2	14803.9	14560.0	14224.7	15698.3	16768.8
Y 6.0	18381.2	19805.7	19777.9	19753.5	18314.3	17291.8	14082.7	12168.6	11868.8	11564.0	13085.0	14292.0
Y 7.0	15957.4	17513.3	17363.5	17360.3	15804.9	14777.1	11625.4	9758.8	9405.3	9092.6	10569.3	11838.3
Y 8.0	13408.7	14986.5	14753.4	14752.2	13217.7	12339.3	9406.0	7686.7	7279.6	6990.0	8315.7	9532.7
Y 9.0	10935.9	12396.9	12122.6	12108.9	10766.8	10066.3	7449.6	5961.7	5567.1	5308.7	6421.6	7506.8
Y 10.0	8723.1	9944.3	9679.5	9668.0	8609.5	8038.1	5817.8	4593.3	4241.1	4034.3	4930.0	5834.1
Y 11.0	6860.8	7810.3	7581.1	7596.9	6802.5	6352.0	4538.4	3557.4	3256.3	3120.2	3797.2	4547.1
Y 12.0	5346.2	6080.7	5889.1	5937.4	5355.9	5015.7	3565.3	2773.4	2533.9	2457.9	2971.4	3565.5
Y 13.0	4171.8	4716.7	4581.8	4646.5	4227.5	3973.5	2833.3	2201.6	2017.8	1975.9	2368.9	2844.9
Y 14.0	3302.4	3717.2	3607.0	3675.7	3361.8	3176.5	2290.2	1788.5	1645.9	1616.1	1919.3	2307.6
Y 15.0	2660.7	2971.0	2883.6	2937.5	2701.8	2560.6	1879.8	1484.8	1370.8	1344.9	1577.5	1892.5
Y 16.0	2173.2	2409.7	2337.7	2375.7	2202.4	2095.5	1569.3	1256.5	1164.2	1138.8	1314.9	1566.8
Y 17.0	1796.1	1977.6	1918.8	1945.8	1821.9	1740.2	1328.5	1078.2	1005.4	981.9	1112.3	1315.5
Y 18.0	1499.1	1640.7	1593.8	1615.8	1525.1	1467.1	1139.8	935.6	876.2	856.8	954.6	1116.2
Y 19.0	1264.7	1373.7	1340.2	1360.0	1293.0	1251.1	986.3	817.1	766.7	750.5	827.3	955.9
Y 20.0	1079.0	1165.3	1141.2	1157.6	1107.8	1077.4	857.6	718.0	673.5	658.3	721.1	822.8
Y 21.0	930.6	999.9	984.2	997.2	957.2	933.3	750.0	633.0	593.9	579.0	630.4	712.5
Y 22.0	812.6	866.7	857.9	865.8	835.8	815.3	658.8	560.3	526.3	510.3	551.6	619.6
Y 23.0	717.4	759.4	754.0	759.0	736.2	719.5	581.8	500.0	468.7	454.6	485.3	542.6
Y 24.0	636.7	671.3	666.9	671.1	654.4	639.9	516.6	449.1	421.1	408.4	432.1	478.4
Y 25.0	568.0	597.0	593.5	597.8	584.9	573.4	462.3	407.0	381.3	371.7	389.3	426.1
Y 26.0	510.8	535.1	533.1	538.0	526.9	518.5	416.8	372.0	349.2	341.5	355.4	384.2
Y 27.0	464.7	484.3	483.8	489.5	480.0	473.6	380.2	342.5	322.5	315.9	326.8	351.1
Y 28.0	430.0	444.4	444.5	449.3	441.4	436.7	348.3	314.5	297.2	291.2	301.6	322.8
Y 29.0	401.6	412.0	413.1	415.2	410.4	405.5	318.7	290.3	276.1	271.7	278.7	296.5
Y 30.0	375.2	384.4	385.6	387.3	382.9	377.3	294.5	269.7	256.1	253.4	259.5	275.5
Y 31.0	351.8	358.4	361.6	361.9	357.3	352.8	272.4	250.4	237.8	235.9	241.7	256.2
Y 32.0	331.6	336.8	339.5	338.8	335.7	331.2	252.1	232.5	221.2	219.0	225.0	238.0
Y 33.0	312.3	317.7	319.5	318.9	315.4	311.0	233.6	215.9	205.6	203.3	209.0	221.2
Y 34.0	294.5	299.4	300.6	300.0	296.8	292.2	216.2	199.9	190.3	187.8	193.3	205.1
Y 35.0	277.8	282.0	283.2	282.1	279.5	274.7	199.5	185.1	175.8	173.8	178.1	189.9
Y 36.0	261.5	265.7	267.0	265.6	262.9	258.1	184.7	171.7	163.0	161.6	164.7	176.3
Y 37.0	245.9	250.0	251.4	249.5	246.7	242.3	171.4	160.1	151.7	150.7	153.1	164.1
Y 38.0	231.4	235.4	236.4	234.5	232.0	227.9	159.2	149.2	141.6	140.7	142.7	153.1
Y 39.0	218.5	222.0	222.7	220.8	218.8	214.4	148.2	139.2	132.1	131.3	133.0	143.1
Y 40.0	206.7	209.6	210.5	208.4	206.7	202.1	137.9	128.9	122.2	120.9	123.8	133.5
Y 41.0	195.3	198.1	199.3	196.8	195.2	190.7	126.7	118.5	111.8	111.2	112.7	121.6
Y 42.0	182.3	187.0	188.7	185.9	184.2	179.1	116.7	110.4	103.7	103.2	104.6	112.9
Y 43.0	170.2	173.5	175.8	174.0	171.9	167.2	108.3	101.6	95.4	94.8	96.5	104.3
Y 44.0	160.1	162.8	165.0	162.9	162.2	157.5	99.1	92.8	86.9	86.4	87.9	95.3
Y 45.0	149.1	152.4	154.7	153.3	151.9	147.1	90.2	84.0	78.5	78.1	79.5	86.2
Y 46.0	138.2	141.8	144.1	142.6	141.4	136.4	81.4	75.5	70.7	70.1	71.3	77.4

IES Indoor Report

Photometric Filename:Prolight 3000K White 15度 35W.IES

Candela Tabulation - (Cont.)

V/H	C0.0	C30.0	C60.0	C90.0	C120.0	C150.0	C180.0	C210.0	C240.0	C270.0	C300.0	C330.0
Y 47.0	127.7	131.1	133.6	132.3	131.0	126.2	73.3	67.9	63.1	62.9	63.8	69.3
Y 48.0	117.6	120.6	123.6	122.2	121.2	116.5	65.6	60.7	56.3	56.4	56.8	61.8
Y 49.0	107.9	110.7	113.8	112.6	111.8	107.0	58.4	54.2	50.3	50.5	50.6	54.8
Y 50.0	99.0	101.6	104.5	103.7	102.7	98.2	51.9	48.5	44.9	45.6	45.3	48.9
Y 51.0	90.7	93.0	95.9	95.0	94.2	89.8	46.4	44.1	40.8	41.5	40.9	44.1
Y 52.0	83.6	85.2	88.1	87.1	86.4	82.2	42.0	39.9	37.0	37.8	37.2	40.0
Y 53.0	77.8	78.9	81.3	80.1	80.0	76.0	37.9	36.1	33.2	34.1	33.4	36.3
Y 54.0	72.3	73.3	75.8	74.3	74.3	70.5	33.9	32.3	29.8	30.8	30.1	32.6
Y 55.0	66.8	68.0	70.1	68.8	68.7	65.1	30.3	28.9	26.7	27.5	26.9	29.2
Y 56.0	61.6	62.8	64.8	63.4	63.4	59.9	26.8	25.6	23.6	24.5	23.8	26.1
Y 57.0	56.8	57.9	59.9	58.4	58.4	54.8	23.7	22.7	21.0	21.9	21.3	23.0
Y 58.0	52.3	53.2	55.0	53.6	53.5	50.1	21.0	20.2	18.6	19.5	18.8	20.3
Y 59.0	48.1	48.7	50.7	49.3	49.3	45.9	18.6	18.5	16.9	18.1	16.7	18.1
Y 60.0	44.3	44.8	46.8	45.2	45.4	42.1	17.2	18.1	16.6	17.8	16.3	17.6
Y 61.0	41.9	41.3	43.3	41.8	41.9	39.2	16.9	17.8	16.4	17.5	16.1	17.4
Y 62.0	40.4	39.4	40.9	39.4	40.0	37.8	16.7	17.4	16.2	17.2	15.9	17.1
Y 63.0	39.2	38.2	39.5	38.1	38.8	36.8	16.3	17.0	15.8	16.9	15.6	16.8
Y 64.0	38.0	37.1	38.4	37.0	37.7	35.6	16.0	16.5	15.5	16.5	15.3	16.4
Y 65.0	37.0	36.1	37.3	35.9	36.5	34.6	15.7	16.1	15.1	16.0	15.0	16.1
Y 66.0	35.9	35.1	36.3	35.0	35.5	33.6	15.2	15.8	14.6	15.5	14.6	15.7
Y 67.0	35.0	34.1	35.3	33.9	34.6	32.7	14.8	15.3	14.2	15.0	14.2	15.3
Y 68.0	33.9	33.2	34.3	33.0	33.5	31.8	14.4	14.9	13.8	14.6	13.8	14.8
Y 69.0	33.0	32.2	33.3	32.1	32.6	30.9	14.0	14.4	13.4	14.1	13.4	14.4
Y 70.0	32.1	31.3	32.4	31.2	31.8	30.1	13.5	13.9	13.0	13.6	13.0	14.0
Y 71.0	31.2	30.4	31.5	30.4	30.9	29.2	13.1	13.5	12.5	13.3	12.6	13.6
Y 72.0	30.4	29.7	30.7	29.6	30.1	28.6	12.7	13.0	12.2	12.7	12.2	13.2
Y 73.0	29.6	28.8	29.7	28.8	29.3	27.7	12.3	12.7	11.8	12.4	11.8	12.7
Y 74.0	28.7	28.0	29.0	28.0	28.5	26.9	11.8	12.2	11.4	12.1	11.4	12.3
Y 75.0	27.9	27.2	28.2	27.2	27.7	26.1	11.5	11.9	11.1	11.7	11.1	11.9
Y 76.0	27.1	26.4	27.4	26.4	26.9	25.3	11.1	11.6	10.8	11.3	10.6	11.6
Y 77.0	26.2	25.6	26.6	25.6	26.0	24.7	10.9	11.3	10.5	11.1	10.4	11.2
Y 78.0	25.4	24.9	25.7	24.8	25.2	23.9	10.6	11.0	10.3	10.7	10.3	10.9
Y 79.0	24.7	24.0	24.9	24.1	24.5	23.1	10.3	10.7	10.0	10.5	10.0	10.6
Y 80.0	23.9	23.3	24.1	23.3	23.8	22.4	10.1	10.3	9.8	10.3	9.8	10.4
Y 81.0	23.2	22.7	23.5	22.6	23.0	21.7	9.9	10.2	9.7	10.1	9.6	10.2
Y 82.0	22.5	21.9	22.8	21.9	22.3	21.0	9.7	10.0	9.5	10.0	9.3	9.9
Y 83.0	21.9	21.3	22.1	21.3	21.6	20.3	9.6	10.0	9.3	9.8	9.2	9.8
Y 84.0	21.2	20.7	21.5	20.7	21.0	19.8	9.6	9.7	9.2	9.7	9.0	9.6
Y 85.0	20.6	20.1	20.8	20.0	20.3	19.1	9.4	9.7	9.1	9.5	9.0	9.5
Y 86.0	20.0	19.6	20.2	19.3	19.7	18.5	9.3	9.6	9.1	9.5	8.9	9.4
Y 87.0	19.5	19.0	19.6	18.7	19.1	17.9	9.3	9.5	9.1	9.5	8.9	9.3
Y 88.0	19.0	18.4	19.0	18.1	18.5	17.3	9.3	9.5	9.0	9.4	8.8	9.3
Y 89.0	18.5	18.0	18.5	17.7	17.9	16.8	9.2	9.5	8.9	9.4	8.8	9.2
Y 90.0	18.0	17.4	18.0	17.2	17.4	16.3	9.2	9.4	9.0	9.3	8.9	9.2
Y 91.0	17.5	16.9	17.4	16.6	16.8	15.9	9.2	9.4	9.0	9.4	8.9	9.1
Y 92.0	17.0	16.5	17.0	16.3	16.4	15.3	9.2	9.4	9.1	9.4	8.9	9.1
Y 93.0	16.6	16.1	16.5	15.8	16.0	15.0	9.2	9.4	9.2	9.3	8.9	9.2

IES Indoor Report

Photometric Filename:Prolight 3000K White 15度 35W.IES

Candela Tabulation - (Cont.)

V/H	C0.0	C30.0	C60.0	C90.0	C120.0	C150.0	C180.0	C210.0	C240.0	C270.0	C300.0	C330.0
Y 94.0	16.2	15.7	16.0	15.4	15.5	14.5	9.2	9.3	9.1	9.5	8.9	9.3
Y 95.0	15.9	15.4	15.7	15.0	15.2	14.3	9.3	9.4	9.1	9.4	8.9	9.2
Y 96.0	15.5	15.0	15.3	14.7	14.9	14.0	9.3	9.5	9.1	9.4	9.0	9.3
Y 97.0	15.2	14.6	15.0	14.3	14.5	13.8	9.2	9.4	9.2	9.4	9.0	9.2
Y 98.0	15.0	14.4	14.8	14.0	14.3	13.5	9.2	9.3	9.2	9.4	9.0	9.3
Y 99.0	14.7	14.3	14.5	13.7	14.1	13.4	9.2	9.3	9.2	9.3	9.0	9.3
Y 100.0	14.6	14.0	14.4	13.7	13.9	13.2	9.2	9.3	9.1	9.4	9.0	9.2
Y 101.0	14.5	14.0	14.1	13.6	13.7	13.2	9.3	9.3	9.2	9.3	9.0	9.3
Y 102.0	14.4	13.9	14.0	13.5	13.7	13.2	9.2	9.3	9.3	9.3	9.0	9.3
Y 103.0	14.4	13.8	14.0	13.6	13.7	13.2	9.3	9.3	9.1	9.3	9.1	9.2
Y 104.0	14.4	13.8	14.1	13.7	13.7	13.4	9.3	9.3	9.2	9.3	9.0	9.2
Y 105.0	14.4	13.9	14.1	13.7	13.8	13.5	9.3	9.3	9.3	9.3	9.1	9.2
Y 106.0	14.4	14.1	14.1	13.7	13.9	13.6	9.3	9.3	9.2	9.4	9.1	9.3
Y 107.0	14.5	14.2	14.2	13.9	14.0	13.8	9.4	9.3	9.3	9.3	9.1	9.2
Y 108.0	14.6	14.2	14.4	14.0	14.1	13.8	9.4	9.4	9.3	9.3	9.2	9.2
Y 109.0	14.8	14.4	14.5	14.1	14.1	14.0	9.3	9.3	9.4	9.4	9.2	9.2
Y 110.0	14.9	14.5	14.6	14.3	14.4	14.1	9.4	9.4	9.4	9.5	9.2	9.2
Y 111.0	15.0	14.6	14.6	14.4	14.4	14.3	9.5	9.5	9.6	9.5	9.3	9.2
Y 112.0	15.1	14.6	14.8	14.5	14.6	14.5	9.6	9.5	9.6	9.6	9.4	9.4
Y 113.0	15.2	14.7	14.9	14.7	14.8	14.6	9.7	9.5	9.7	9.7	9.6	9.5
Y 114.0	15.3	14.9	15.0	14.8	14.8	14.7	9.8	9.6	9.9	9.8	9.7	9.6
Y 115.0	15.3	15.1	15.1	14.9	14.9	14.8	10.1	9.8	10.0	10.0	9.8	9.7
Y 116.0	15.4	15.1	15.1	15.0	15.0	14.8	10.3	10.1	10.2	10.2	10.1	9.8
Y 117.0	15.6	15.2	15.2	15.1	15.0	14.9	10.5	10.4	10.5	10.5	10.4	10.1
Y 118.0	15.7	15.3	15.2	15.2	15.2	15.0	10.9	10.8	10.8	10.8	10.7	10.3
Y 119.0	15.7	15.4	15.3	15.2	15.3	15.2	11.3	11.2	11.3	11.3	11.1	10.8
Y 120.0	15.9	15.5	15.4	15.4	15.3	15.2	11.7	11.6	11.8	11.8	11.6	11.2
Y 121.0	15.9	15.6	15.4	15.4	15.5	15.3	12.3	12.3	12.5	12.4	12.1	11.7
Y 122.0	16.1	15.7	15.5	15.5	15.5	15.5	12.9	13.0	13.0	13.1	12.9	12.4
Y 123.0	16.2	15.9	15.6	15.6	15.6	15.7	13.7	13.8	13.9	13.9	13.6	13.0
Y 124.0	16.4	16.0	15.8	15.8	15.8	15.9	14.7	14.8	14.8	14.9	14.5	13.9
Y 125.0	16.6	16.2	16.0	16.0	15.9	16.3	15.6	15.8	16.1	15.9	15.6	14.8
Y 126.0	17.0	16.5	16.1	16.2	16.1	16.5	16.8	16.8	17.2	17.2	16.7	15.8
Y 127.0	17.3	16.7	16.5	16.6	16.5	16.9	18.0	18.1	18.5	18.5	17.9	17.0
Y 128.0	17.7	17.1	16.8	16.9	16.9	17.3	19.3	19.5	19.9	19.8	19.1	18.2
Y 129.0	18.3	17.7	17.4	17.4	17.5	18.0	20.7	20.7	21.3	21.2	20.5	19.4
Y 130.0	19.0	18.3	17.9	18.0	18.2	18.8	22.0	22.1	22.6	22.6	21.8	20.7
Y 131.0	19.8	19.0	18.5	18.7	18.9	19.5	23.3	23.4	23.9	23.8	23.0	22.0
Y 132.0	20.7	19.9	19.5	19.6	19.8	20.5	24.5	24.8	25.3	25.1	24.4	23.3
Y 133.0	21.6	20.8	20.3	20.5	20.8	21.6	25.9	25.8	26.4	26.3	25.6	24.5
Y 134.0	22.7	21.9	21.3	21.5	21.8	22.6	27.1	26.9	27.5	27.3	26.6	25.8
Y 135.0	23.9	22.9	22.4	22.5	23.0	23.8	28.1	28.0	28.5	28.3	27.8	26.8
Y 136.0	25.0	24.1	23.6	23.8	24.3	24.9	29.1	29.0	29.4	29.2	28.7	27.8
Y 137.0	26.2	25.4	24.8	25.0	25.4	26.1	30.0	29.8	30.2	30.0	29.5	28.6
Y 138.0	27.4	26.5	26.0	26.2	26.6	27.2	30.7	30.5	30.8	30.6	30.2	29.4
Y 139.0	28.5	27.8	27.2	27.5	27.8	28.3	31.4	31.1	31.5	31.1	30.8	30.1
Y 140.0	29.5	28.8	28.3	28.5	28.8	29.3	32.0	31.6	32.0	31.6	31.3	30.6

IES Indoor Report

Photometric Filename:Prolight 3000K White 15度 35W.IES

Candela Tabulation - (Cont.)

V/H	C0.0	C30.0	C60.0	C90.0	C120.0	C150.0	C180.0	C210.0	C240.0	C270.0	C300.0	C330.0
Y 141.0	30.5	29.9	29.3	29.6	29.8	30.2	32.4	32.1	32.4	32.0	31.6	31.1
Y 142.0	31.3	30.8	30.2	30.4	30.6	31.0	33.0	32.6	32.8	32.3	32.0	31.6
Y 143.0	32.0	31.5	31.1	31.2	31.3	31.6	33.4	32.9	33.0	32.7	32.4	32.1
Y 144.0	32.7	32.2	31.8	31.9	32.0	32.1	33.8	33.2	33.4	32.9	32.8	32.4
Y 145.0	33.2	32.9	32.5	32.5	32.5	32.7	34.1	33.5	33.6	33.1	33.1	32.8
Y 146.0	33.6	33.3	33.0	32.9	33.0	33.1	34.5	33.9	33.8	33.2	33.3	33.0
Y 147.0	34.0	33.9	33.3	33.2	33.3	33.5	34.7	34.2	34.1	33.2	33.6	33.3
Y 148.0	34.2	34.1	33.7	33.4	33.6	33.8	35.0	34.4	34.3	33.2	33.8	33.6
Y 149.0	34.5	34.3	34.0	33.5	33.7	34.0	35.2	34.7	34.5	33.0	34.1	33.9
Y 150.0	34.7	34.5	34.2	33.5	34.0	34.1	35.3	34.8	34.7	32.9	34.2	34.0
Y 151.0	34.6	34.7	34.4	33.5	34.1	34.2	35.3	35.0	34.8	32.8	34.4	34.3
Y 152.0	34.8	34.9	34.5	33.4	34.2	34.3	35.5	35.2	34.9	32.7	34.5	34.4
Y 153.0	34.8	34.9	34.7	33.3	34.3	34.4	35.6	35.3	35.0	32.5	34.7	34.6
Y 154.0	34.9	35.1	34.7	33.2	34.4	34.5	35.6	35.5	35.2	32.3	34.8	34.8
Y 155.0	34.8	35.0	34.7	33.0	34.4	34.5	35.5	35.6	35.3	32.2	34.9	35.0
Y 156.0	34.8	35.2	34.7	32.8	34.4	34.5	35.5	35.6	35.4	32.0	35.0	35.1
Y 157.0	34.7	35.2	34.8	32.7	34.4	34.6	35.3	35.7	35.4	32.0	35.0	35.1
Y 158.0	34.7	35.3	34.7	32.5	34.4	34.5	35.4	35.8	35.4	32.0	34.9	35.1
Y 159.0	34.5	35.3	34.7	32.3	34.4	34.6	35.3	35.7	35.4	31.9	34.9	35.2
Y 160.0	34.4	35.3	34.7	32.2	34.5	34.6	35.3	35.6	35.4	31.9	34.7	35.1
Y 161.0	34.4	35.3	34.6	32.1	34.5	34.6	35.1	35.6	35.4	32.0	34.7	35.1
Y 162.0	34.3	35.3	34.5	32.2	34.4	34.6	35.0	35.3	35.2	32.1	34.5	34.9
Y 163.0	34.3	35.3	34.4	32.1	34.3	34.4	34.9	35.2	35.1	32.2	34.4	34.7
Y 164.0	34.2	35.2	34.2	32.1	34.1	34.3	34.7	35.0	34.8	32.2	34.1	34.5
Y 165.0	34.0	35.0	34.1	32.1	34.1	34.1	34.5	34.5	34.5	32.3	33.7	34.1
Y 166.0	33.9	34.8	34.0	32.1	33.9	33.7	34.3	34.0	34.0	32.1	33.3	33.6
Y 167.0	33.7	34.5	33.8	32.2	33.6	33.4	33.9	33.5	33.6	32.0	32.8	33.0
Y 168.0	33.4	34.2	33.6	32.2	33.4	33.0	33.4	32.9	33.0	31.8	32.2	32.4
Y 169.0	33.0	33.8	33.2	32.1	33.0	32.4	32.9	32.2	32.3	31.4	31.5	31.5
Y 170.0	32.5	33.2	32.7	31.9	32.5	31.8	32.2	31.3	31.5	30.7	30.7	30.5
Y 171.0	31.9	32.6	32.3	31.6	31.9	31.0	31.5	30.5	30.5	30.1	29.8	29.6
Y 172.0	31.3	31.9	31.6	31.2	31.2	30.2	30.9	29.6	29.6	29.3	28.9	28.5
Y 173.0	30.6	31.1	30.9	30.7	30.5	29.3	30.0	28.8	28.7	28.5	28.0	27.5
Y 174.0	30.0	30.2	30.2	30.0	29.7	28.3	29.2	27.9	27.9	27.6	26.9	26.5
Y 175.0	29.2	29.4	29.4	29.2	28.7	27.3	28.5	27.2	27.1	26.9	26.1	25.5
Y 176.0	28.5	28.6	28.5	28.4	27.8	26.3	27.9	26.6	26.5	26.4	25.4	24.8
Y 177.0	27.8	27.7	27.7	27.7	27.0	25.4	27.4	26.2	26.1	26.1	25.0	24.1
Y 178.0	27.2	27.0	27.0	27.1	26.4	24.8	27.0	25.9	26.0	26.0	24.9	23.9
Y 179.0	27.0	26.5	26.5	26.5	25.7	24.3	27.0	26.1	26.1	26.1	25.1	23.9
Y 180.0	26.0	26.0	26.0	26.0	26.0	26.0	26.0	26.0	26.0	26.0	26.0	26.0