

PRODUCT DESCRIPTION

Thanks to the minimalist shape and comfortable anti glare optical structure, the GT-R suspension linear light create a natural and pleasant light environment for you.

GT-R SUS

TECHNICAL DATA

MOUNTING

Mounting location	Ceiling
Type	Suspension light
Installation	1.2m hanging cable

ELECTRICAL

Input Voltage	AC220-240V
Frequency	50/60HZ

DRIVER

Type	in canopy
Voltage & Current	DC30V 600mA
Driver brand	EAGLERISE
Power Factor	>0.9

LED

Chips brand	Luminus
Chips information	COB 20LEDS
Power	20*2W
Color Temperature	2700K/3000K/4000K
CRI	RA95

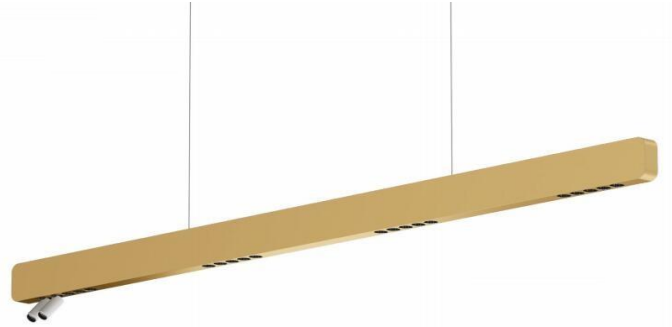
LAMP

Material	Extruded aluminum
Housing color	Sandy white/black/Nano gold
Reflector color	black
Beam Angle	24°
Unified glare rating(UGR)	<16
Adjustibility	90° tilt/355 Rotation/in+out for 2 track light
Dimming	PIR sensor by hand
Ingress Protection	IP20

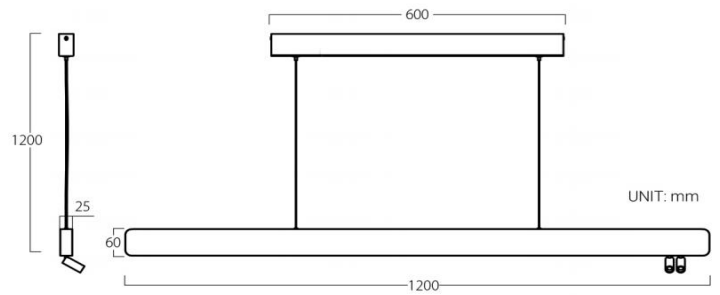
NOMINAL FLUX

Fitting luminous Flux	2000lm
Luminaire lumen efficiency	50lm/w

PHOTO



DIMMENSION



ORDER TEMPLATE

Item	housing color	Color Temperature	Beam Angle	Item number Example
GTR-SUS	B (sandy black)	27 (2700K)	24 (24°)	GTR-SUS-B2724
	W (sandy white)	30 (3000K)	24 (24°)	GTR-SUS-W3024
	G (nano gold)	40 (4000K)	24 (24°)	GTR-SUS-G4024

TECHNICAL DATA

PHOTO

MOUNTING

Mounting location	Ceiling
Type	Recessed spotlight

ELECTRICAL

Input Voltage	AC220-240V
Frequency	50/60HZ

DRIVER

Type	external
Voltage & Current	DC3V, 500mA
Driver brand	Kegu/Aidimming
Power Factor	>0.5

LED

Chips brand	Luminus
Chips information	COB
Power	2W
Color Temperature	2700K/3000K/4000K
CRI	RA95

LAMP

Material	Die-casting aluminum
Housing color	white/black
Reflector color	black
Beam Angle	24°/36°
Dimming	NON-DIM/TRIAC/0-10V/DALI
Ingress Protection	IP20

NOMINAL FLUX

Fitting luminous Flux	120lm
Luminaire lumen efficiency	50-60lm/w



DIMMENSION



ORDER TEMPLATE

Item	housing color	Color Temperature	Beam Angle	Item number Example
GTR-S01	B (sandy black)	27 (2700K)	24°	GTR-S01-B2724
	W (sandy white)	30 (3000K)	36°	GTR-S01-W3036

TECHNICAL DATA

MOUNTING

Mounting location	Ceiling
Type	Recessed spotlight

ELECTRICAL

Input Voltage	AC220-240V
Frequency	50/60HZ

DRIVER

Type	external
Voltage & Current	DC9V, 600mA
Driver brand	Kegu/Aidimming
Power Factor	>0.5

LED

Chips brand	Luminus
Chips information	COB
Power	6W
Color Temperature	2700K/3000K/4000K
CRI	RA95

LAMP

Material	Die-casting aluminum
Housing color	white/black
Reflector color	black
Beam Angle	24°/36°
Dimming	NON-DIM/TRIAC/0-10V/DALI
Ingress Protection	IP20

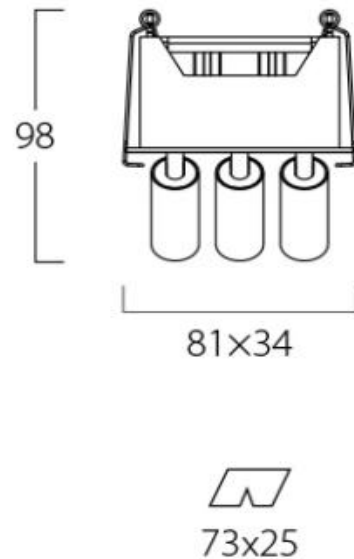
NOMINAL FLUX

Fitting luminous Flux	300lm
Luminaire lumen efficiency	50-60lm/w

PHOTO



DIMMENSION



ORDER TEMPLATE

Item	housing color	Color Temperature	Beam Angle	Item number Example
GTR-S03	B (sandy black)	27 (2700K)	24°	GTR-S03-B2724
	W (sandy white)	30 (3000K)	36°	GTR-S03-W3036

TECHNICAL DATA

MOUNTING

Mounting location	Ceiling
Type	Recessed spotlight

ELECTRICAL

Input Voltage	AC220-240V
Frequency	50/60HZ

DRIVER

Type	external
Voltage & Current	DC15V, 600mA
Driver brand	Kegu/Aidimming
Power Factor	>0.5

LED

Chips brand	Luminus
Chips information	COB
Power	10W
Color Temperature	2700K/3000K/4000K
CRI	RA95

LAMP

Material	Die-casting aluminum
Housing color	white/black
Reflector color	black
Beam Angle	24°/36°
Dimming	NON-DIM/TRIAC/0-10V/DALI
Ingress Protection	IP20

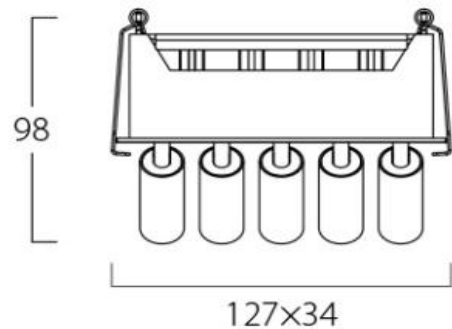
NOMINAL FLUX

Fitting luminous Flux	500lm
Luminaire lumen efficiency	50-60lm/w

PHOTO



DIMMENSION



ORDER TEMPLATE

Item	housing color	Color Temperature	Beam Angle	Item number Example
GTR-S05	B (sandy black)	27 (2700K)	24°	GTR-S05-B2724
	W (sandy white)	30 (3000K)	36°	GTR-S05-W3036

TECHNICAL DATA

MOUNTING

Mounting location	Ceiling
Type	Surface adjustable

ELECTRICAL

Input Voltage	AC220-240V
Frequency	50/60HZ

DRIVER

Type	built-in
Voltage & Current	DC9V, 500mA
Driver brand	Kegu/Aidimming
Power Factor	>0.5

LED

Chips brand	Luminus
Chips information	SMD
Power	6W
Color Temperature	2700K/3000K/4000K
CRI	RA95

LAMP

Material	Die-casting aluminum
Housing color	white/black
Reflector color	black
Beam Angle	24°/36°
Dimming	NON-DIM/TRIAC/0-10V/DALI
Ingress Protection	IP20

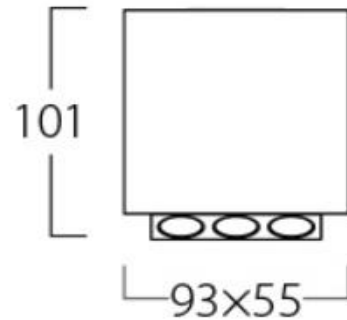
NOMINAL FLUX

Fitting luminous Flux	300lm
Luminaire lumen efficiency	50-60lm/w

PHOTO



DIMMENSION



ORDER TEMPLATE

Item	housing color	Color Temperature	Beam Angle	Item number Example
GTR-SUR03A	B (sandy black)	27 (2700K)	24°	GTR-SUR03A-B2724
	W (sandy white)	30 (3000K)	36°	GTR-SUR03A-W3036

TECHNICAL DATA

MOUNTING

Mounting location Ceiling
 Type Surface adjustable

ELECTRICAL

Input Voltage AC220-240V
 Frequency 50/60HZ

DRIVER

Type built-in
 Voltage & Current DC15V, 500mA
 Driver brand Kegu/Aidimming
 Power Factor >0.5

LED

Chips brand Luminus
 Chips information SMD
 Power 10W
 Color Temperature 2700K/3000K/4000K
 CRI RA95

LAMP

Material Die-casting aluminum
 Housing color white/black
 Reflector color black
 Beam Angle 24°/36°
 Dimming NON-DIM/TRIAC/0-10V/DALI
 Ingress Protection IP20

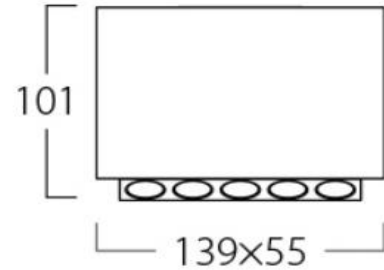
NOMINAL FLUX

Fitting luminous Flux 500lm
 Luminaire lumen efficiency 50-60lm/w

PHOTO



DIMMENSION



ORDER TEMPLATE

Item	housing color	Color Temperature	Beam Angle	Item number Example
GTR-SUR05A	B (sandy black)	27 (2700K)	24°	GTR-SUR05A-B2724
	W (sandy white)	30 (3000K)	36°	GTR-SUR05A-W3036

TECHNICAL DATA

MOUNTING

Mounting location	Ceiling
Type	Surface adjustable

ELECTRICAL

Input Voltage	AC220-240V
Frequency	50/60HZ

DRIVER

Type	built-in
Voltage & Current	DC30V, 600mA
Driver brand	Kegu/Aidimming
Power Factor	>0.9 no flickering

LED

Chips brand	Luminus
Chips information	SMD
Power	20W
Color Temperature	2700K/3000K/4000K
CRI	RA95

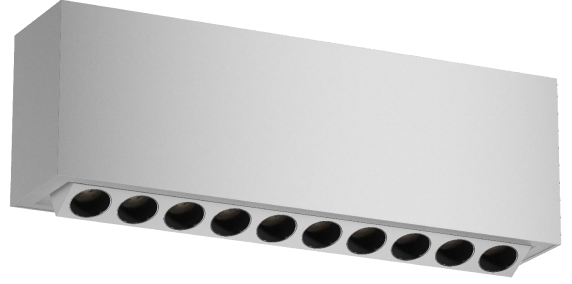
LAMP

Material	Die-casting aluminum
Housing color	white/black
Reflector color	black
Beam Angle	24°/36°
Dimming	NON-DIM/TRIAC/0-10V/DALI
Ingress Protection	IP20

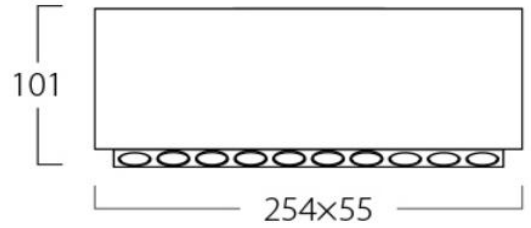
NOMINAL FLUX

Fitting luminous Flux	1000lm
Luminaire lumen efficiency	50-60lm/w

PHOTO



DIMMENSION



ORDER TEMPLATE

Item	housing color	Color Temperature	Beam Angle	Item number Example
GTR-SUR10A	B (sandy black)	27 (2700K)	24°	GTR-SUR10A-B2724
	W (sandy white)	30 (3000K)	36°	GTR-SUR10A-W3036

TECHNICAL DATA

MOUNTING

Mounting location	Ceiling
Type	Recessed downlight
Cut-out	L25xW25 mm

ELECTRICAL

Input Voltage	AC220-240V
Frequency	50/60HZ

DRIVER

Type	external
Voltage & Current	DC3V, 500mA
Driver brand	Kegu/Aidimming
Power Factor	>0.5

LED

Chips brand	Luminus
Chips information	SMD
Power	2W
Color Temperature	2700K/3000K/4000K
CRI	RA95

LAMP

Material	Die-casting aluminum
Housing color	white/black
Reflector color	black
Beam Angle	24°/36°
Dimming	NON-DIM/TRIAC/0-10V/DALI
Ingress Protection	IP20

NOMINAL FLUX

Fitting luminous Flux	120lm
Luminaire lumen efficiency	50-60lm/w

PHOTO



DIMMENSION



34x34



ORDER TEMPLATE

Item	housing color	Color Temperature	Beam Angle	Item number Example
GTR-D01	B (sandy black)	27 (2700K)	24°	GTR-D01-B2724
	W (sandy white)	30 (3000K)	36°	GTR-D01-W3036

TECHNICAL DATA

MOUNTING

Mounting location	Ceiling
Type	Recessed downlight
Cut-out	L73xW25 mm

ELECTRICAL

Input Voltage	AC220-240V
Frequency	50/60HZ

DRIVER

Type	external
Voltage & Current	DC9V, 500mA
Driver brand	Kegu/Aidimming
Power Factor	>0.5

LED

Chips brand	Luminus
Chips information	SMD
Power	6W
Color Temperature	2700K/3000K/4000K
CRI	RA95

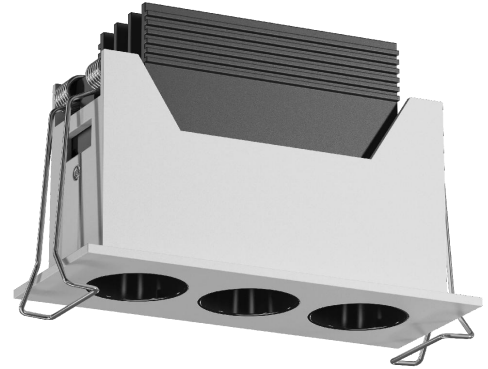
LAMP

Material	Die-casting aluminum
Housing color	white/black
Reflector color	black
Beam Angle	24°/36°
Dimming	NON-DIM/TRIAC/0-10V/DALI
Ingress Protection	IP20

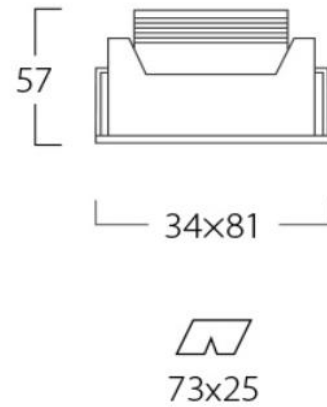
NOMINAL FLUX

Fitting luminous Flux	300lm
Luminaire lumen efficiency	50-60lm/w

PHOTO



DIMMENSION



ORDER TEMPLATE

Item	housing color	Color Temperature	Beam Angle	Item number Example
GTR-D03	B (sandy black)	27 (2700K)	24°	GTR-D03-B2724
	W (sandy white)	30 (3000K)	36°	GTR-D03-W3036

TECHNICAL DATA

MOUNTING

Mounting location	Ceiling
Type	Recessed downlight
Cut-out	L119xW25 mm

ELECTRICAL

Input Voltage	AC220-240V
Frequency	50/60HZ

DRIVER

Type	external
Voltage & Current	DC15V, 600mA
Driver brand	Kegu/Aidimming
Power Factor	>0.5

LED

Chips brand	Luminus
Chips information	SMD
Power	10W
Color Temperature	2700K/3000K/4000K
CRI	RA95

LAMP

Material	Die-casting aluminum
Housing color	white/black
Reflector color	black
Beam Angle	24°/36°
Dimming	NON-DIM/TRIAC/0-10V/DALI
Ingress Protection	IP20

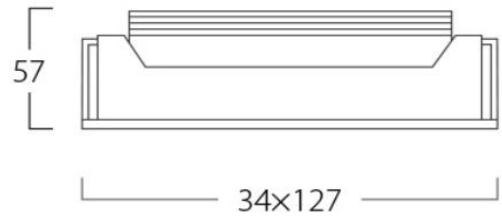
NOMINAL FLUX

Fitting luminous Flux	500lm
Luminaire lumen efficiency	50-60lm/w

PHOTO



DIMMENSION



ORDER TEMPLATE

Item	housing color	Color Temperature	Beam Angle	Item number Example
GTR-D05	B (sandy black)	27 (2700K)	24°	GTR-D05-B2724
	W (sandy white)	30 (3000K)	36°	GTR-D05-W3036

TECHNICAL DATA

MOUNTING

Mounting location	Ceiling
Type	Recessed downlight
Cut-out	L234xW25 mm

ELECTRICAL

Input Voltage	AC220-240V
Frequency	50/60HZ

DRIVER

Type	external
Voltage & Current	DC30V, 600mA
Driver brand	Kegu/Aidimming
Power Factor	>0.9 no flickering

LED

Chips brand	Luminus
Chips information	SMD
Power	20W
Color Temperature	2700K/3000K/4000K
CRI	RA95

LAMP

Material	Die-casting aluminum
Housing color	white/black
Reflector color	black
Beam Angle	24°/36°
Dimming	NON-DIM/TRIAC/0-10V/DALI
Ingress Protection	IP20

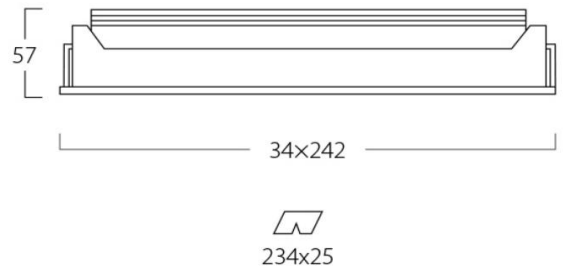
NOMINAL FLUX

Fitting luminous Flux	1000lm
Luminaire lumen efficiency	50-60lm/w

PHOTO



DIMMENSION



ORDER TEMPLATE

Item	housing color	Color Temperature	Beam Angle	Item number Example
GTR-D10	B (sandy black)	27 (2700K)	24°	GTR-D10-B2724
	W (sandy white)	30 (3000K)	36°	GTR-D10-W3036

TECHNICAL DATA

MOUNTING

Mounting location	Ceiling
Type	Adjustable downlight
Cut-out	L82xW44 mm

ELECTRICAL

Input Voltage	AC220-240V
Frequency	50/60HZ

DRIVER

Type	external
Voltage & Current	DC9V, 500mA
Driver brand	Kegu/Aidimming
Power Factor	>0.5

LED

Chips brand	Luminus
Chips information	SMD
Power	6W
Color Temperature	2700K/3000K/4000K
CRI	RA95

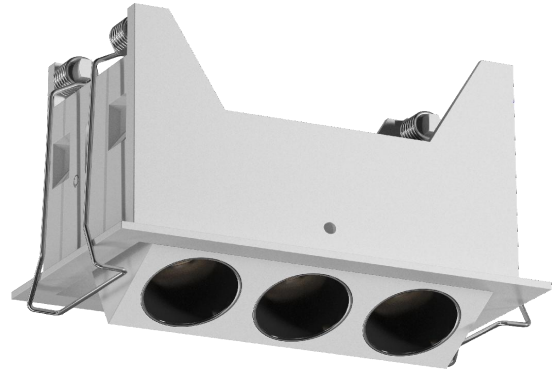
LAMP

Material	Die-casting aluminum
Housing color	white/black
Reflector color	black
Beam Angle	24°/36°
Dimming	NON-DIM/TRIAC/0-10V/DALI
Ingress Protection	IP20

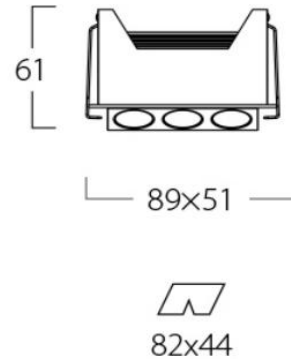
NOMINAL FLUX

Fitting luminous Flux	300lm
Luminaire lumen efficiency	50-60lm/w

PHOTO



DIMMENSION



ORDER TEMPLATE

Item	housing color	Color Temperature	Beam Angle	Item number Example
GTR-A03	B (sandy black)	27 (2700K)	24°	GTR-A03-B2724
	W (sandy white)	30 (3000K)	36°	GTR-A03-W3036

TECHNICAL DATA

MOUNTING

Mounting location	Ceiling
Type	Adjustable downlight
Cut-out	L128xW44 mm

ELECTRICAL

Input Voltage	AC220-240V
Frequency	50/60HZ

DRIVER

Type	external
Voltage & Current	DC15V, 600mA
Driver brand	Kegu/Aidimming
Power Factor	>0.5

LED

Chips brand	Luminus
Chips information	SMD
Power	10W
Color Temperature	2700K/3000K/4000K
CRI	RA95

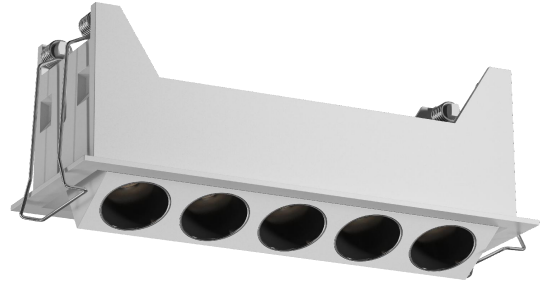
LAMP

Material	Die-casting aluminum
Housing color	white/black
Reflector color	black
Beam Angle	24°/36°
Dimming	NON-DIM/TRIAC/0-10V/DALI
Ingress Protection	IP20

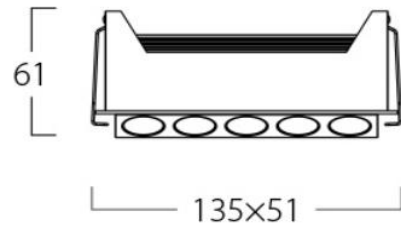
NOMINAL FLUX

Fitting luminous Flux	500lm
Luminaire lumen efficiency	50-60lm/w

PHOTO



DIMMENSION



ORDER TEMPLATE

Item	housing color	Color Temperature	Beam Angle	Item number Example
GTR-A05	B (sandy black)	27 (2700K)	24°	GTR-A05-B2724
	W (sandy white)	30 (3000K)	36°	GTR-A05-W3036

TECHNICAL DATA

MOUNTING

Mounting location	Ceiling
Type	Adjustable downlight
Cut-out	L243xW44 mm

ELECTRICAL

Input Voltage	AC220-240V
Frequency	50/60HZ

DRIVER

Type	external
Voltage & Current	DC30V, 600mA
Driver brand	Kegu/Aidimming
Power Factor	>0.9 no flickering

LED

Chips brand	Luminus
Chips information	SMD
Power	20W
Color Temperature	2700K/3000K/4000K
CRI	RA95

LAMP

Material	Die-casting aluminum
Housing color	white/black
Reflector color	black
Beam Angle	24°/36°
Dimming	NON-DIM/TRIAC/0-10V/DALI
Ingress Protection	IP20

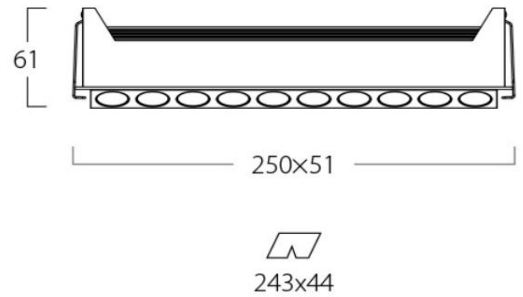
NOMINAL FLUX

Fitting luminous Flux	1000lm
Luminaire lumen efficiency	50-60lm/w

PHOTO



DIMMENSION



ORDER TEMPLATE

Item	housing color	Color Temperature	Beam Angle	Item number Example
GTR-A10	B (sandy black)	27 (2700K)	24°	GTR-A10-B2724
	W (sandy white)	30 (3000K)	36°	GTR-A10-W3036

TECHNICAL DATA

MOUNTING

Mounting location	Ceiling
Type	Trimless downlight
Cut-out	L40xW40 mm

ELECTRICAL

Input Voltage	AC220-240V
Frequency	50/60HZ

DRIVER

Type	external
Voltage & Current	DC3V, 500mA
Driver brand	Kegu/Aidimming
Power Factor	>0.5

LED

Chips brand	Luminus
Chips information	SMD
Power	2W
Color Temperature	2700K/3000K/4000K
CRI	RA95

LAMP

Material	Die-casting aluminum
Housing color	white/black
Reflector color	black
Beam Angle	24°/36°
Dimming	NON-DIM/TRIAC/0-10V/DALI
Ingress Protection	IP20

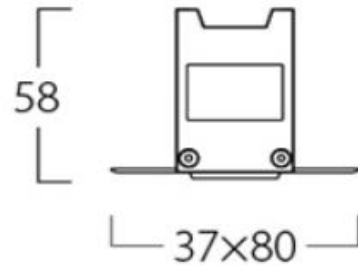
NOMINAL FLUX

Fitting luminous Flux	120lm
Luminaire lumen efficiency	50-60lm/w

PHOTO



DIMMENSION



ORDER TEMPLATE

Item	housing color	Color Temperature	Beam Angle	Item number Example
GTR-T01	B (sandy black)	27 (2700K)	24°	GTR-T01-B2724
	W (sandy white)	30 (3000K)	36°	GTR-T01-B3036

TECHNICAL DATA

MOUNTING

Mounting location	Ceiling
Type	Trimless downlight
Cut-out	L86xW40 mm

ELECTRICAL

Input Voltage	AC220-240V
Frequency	50/60HZ

DRIVER

Type	external
Voltage & Current	DC9V, 500mA
Driver brand	Kegu/Aidimming
Power Factor	>0.5

LED

Chips brand	Luminus
Chips information	SMD
Power	6W
Color Temperature	2700K/3000K/4000K
CRI	RA95

LAMP

Material	Die-casting aluminum
Housing color	white/black
Reflector color	black
Beam Angle	24°/36°
Dimming	NON-DIM/TRIAC/0-10V/DALI
Ingress Protection	IP20

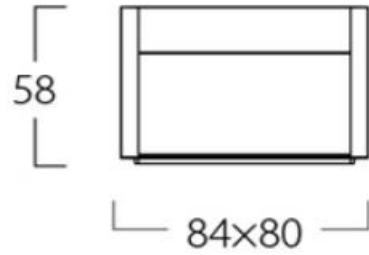
NOMINAL FLUX

Fitting luminous Flux	300lm
Luminaire lumen efficiency	50-60lm/w

PHOTO



DIMMENSION



ORDER TEMPLATE

Item	housing color	Color Temperature	Beam Angle	Item number Example
GTR-T03	B (sandy black)	27 (2700K)	24°	GTR-T03-B2724
	W (sandy white)	30 (3000K)	36°	GTR-T03-B3036

TECHNICAL DATA

MOUNTING

Mounting location	Ceiling
Type	Trimless downlight
Cut-out	L247xW40 mm

ELECTRICAL

Input Voltage	AC220-240V
Frequency	50/60HZ

DRIVER

Type	external
Voltage & Current	DC30V, 600mA
Driver brand	Kegu/Aidimming
Power Factor	>0.9 no flickering

LED

Chips brand	Luminus
Chips information	SMD
Power	20W
Color Temperature	2700K/3000K/4000K
CRI	RA95

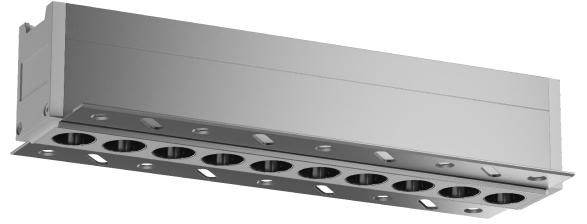
LAMP

Material	Die-casting aluminum
Housing color	white/black
Reflector color	black
Beam Angle	24°/36°
Dimming	NON-DIM/TRIAC/0-10V/DALI
Ingress Protection	IP20

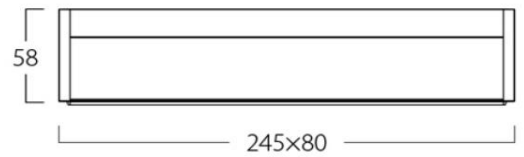
NOMINAL FLUX

Fitting luminous Flux	1000lm
Luminaire lumen efficiency	50-60lm/w

PHOTO



DIMMENSION



ORDER TEMPLATE

Item	housing color	Color Temperature	Beam Angle	Item number Example
GTR-T10	B (sandy black)	27 (2700K)	24°	GTR-T10-B2724
	W (sandy white)	30 (3000K)	36°	GTR-T10-B3036

TECHNICAL DATA

MOUNTING

Mounting location	Recessed ceiling
Type	Trimless adjustable downlight
Cut-out	L94xW57 mm

ELECTRICAL

Input Voltage	AC220-240V
Frequency	50/60HZ

DRIVER

Type	external
Voltage & Current	DC9V, 500mA
Driver brand	Kegu/Aidimming
Power Factor	>0.5

LED

Chips brand	Luminus
Chips information	SMD
Power	6W
Color Temperature	2700K/3000K/4000K
CRI	RA95

LAMP

Material	Die-casting aluminum
Housing color	white/black
Reflector color	black
Beam Angle	24°/36°
Dimming	NON-DIM/TRIAC/0-10V/DALI
Ingress Protection	IP20

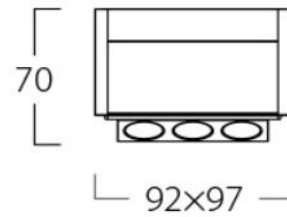
NOMINAL FLUX

Fitting luminous Flux	300lm
Luminaire lumen efficiency	50-60lm/w

PHOTO



DIMMENSION



ORDER TEMPLATE

Item	housing color	Color Temperature	Beam Angle	Item number Example
GTR-TA03	B (sandy black)	27 (2700K)	24°	GTR-TA03-B2724
	W (sandy white)	30 (3000K)	36°	GTR-TA03-B3036

TECHNICAL DATA

MOUNTING

Mounting location	Recessed ceiling
Type	Trimless adjustable downlight
Cut-out	L140xW57 mm

ELECTRICAL

Input Voltage	AC220-240V
Frequency	50/60HZ

DRIVER

Type	external
Voltage & Current	DC15V, 600mA
Driver brand	Kegu/Aidimming
Power Factor	>0.5

LED

Chips brand	Luminus
Chips information	SMD
Power	10W
Color Temperature	2700K/3000K/4000K
CRI	RA95

LAMP

Material	Die-casting aluminum
Housing color	white/black
Reflector color	black
Beam Angle	24°/36°
Dimming	NON-DIM/TRIAC/0-10V/DALI
Ingress Protection	IP20

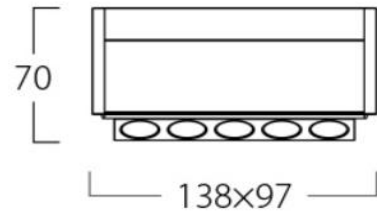
NOMINAL FLUX

Fitting luminous Flux	500lm
Luminaire lumen efficiency	50-60lm/w

PHOTO



DIMMENSION



ORDER TEMPLATE

Item	housing color	Color Temperature	Beam Angle	Item number Example
GTR-TA05	B (sandy black)	27 (2700K)	24°	GTR-TA05-B2724
	W (sandy white)	30 (3000K)	36°	GTR-TA05-B3036

TECHNICAL DATA

MOUNTING

Mounting location	Recessed ceiling
Type	Trimless adjustable downlight
Cut-out	L255xW57 mm

ELECTRICAL

Input Voltage	AC220-240V
Frequency	50/60HZ

DRIVER

Type	external
Voltage & Current	DC30V, 600mA
Driver brand	Kegu/Aidimming
Power Factor	>0.9 no flickering

LED

Chips brand	Luminus
Chips information	SMD
Power	20W
Color Temperature	2700K/3000K/4000K
CRI	RA95

LAMP

Material	Die-casting aluminum
Housing color	white/black
Reflector color	black
Beam Angle	24°/36°
Dimming	NON-DIM/TRIAC/0-10V/DALI
Ingress Protection	IP20

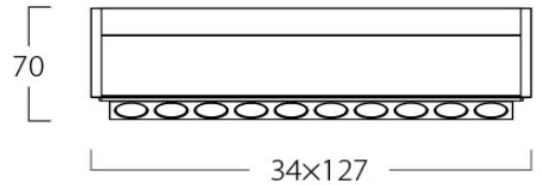
NOMINAL FLUX

Fitting luminous Flux	1000lm
Luminaire lumen efficiency	50-60lm/w

PHOTO



DIMMENSION



ORDER TEMPLATE

Item	housing color	Color Temperature	Beam Angle	Item number Example
GTR-TA10	B (sandy black)	27 (2700K)	24°	GTR-TA10-B2724
	W (sandy white)	30 (3000K)	36°	GTR-TA10-B3036