



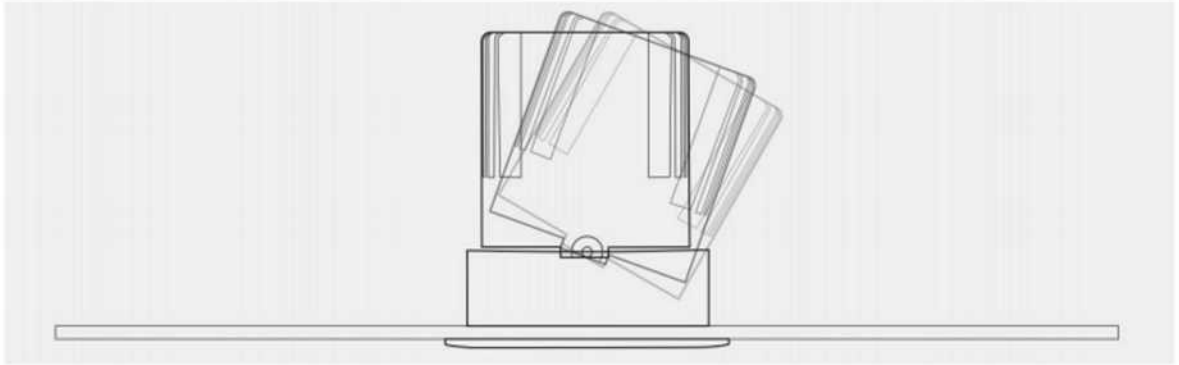


CHOPIN

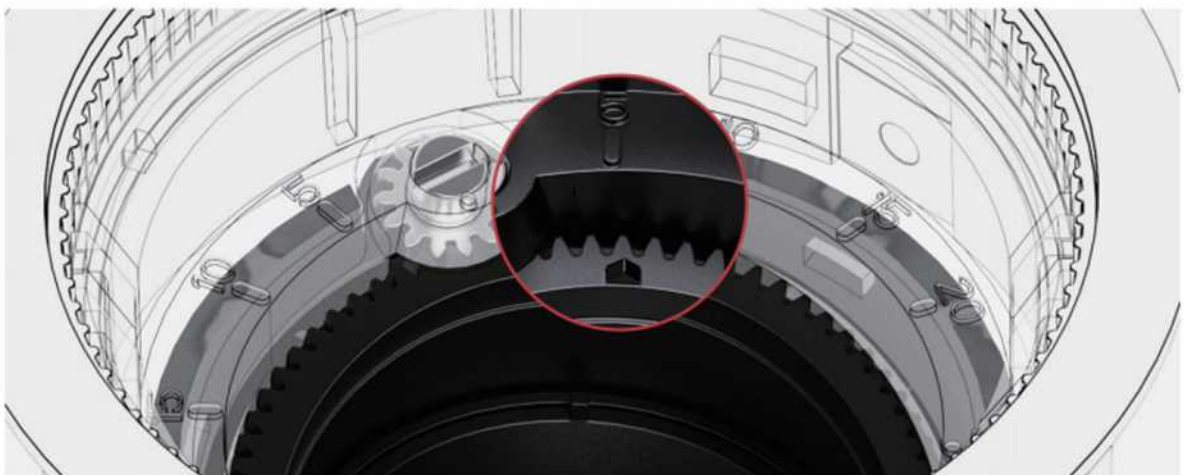
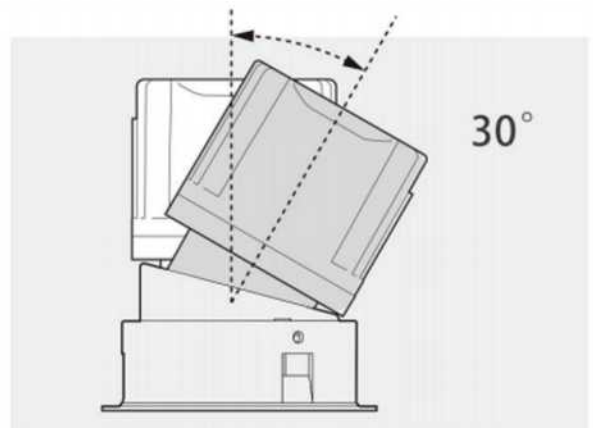
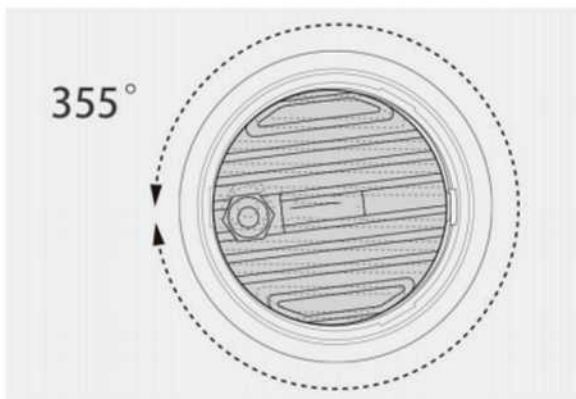


ASYMMETRIC GEAR

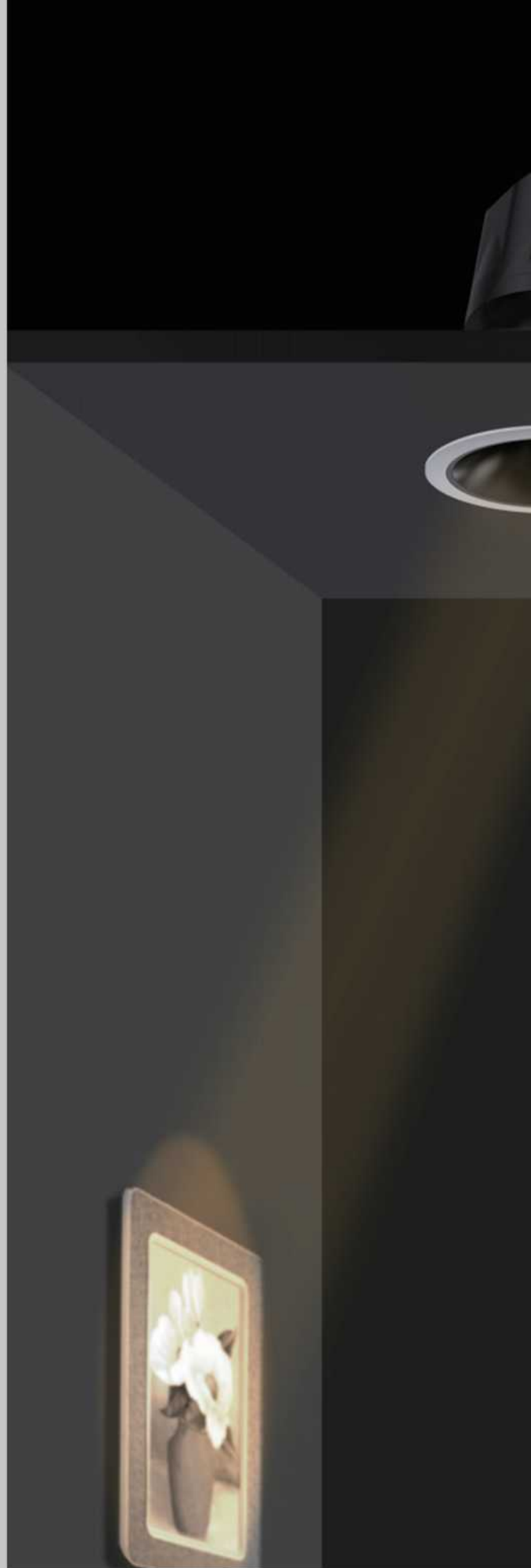
ADJUSTMENT TECHNOLOGY To provide a solution to precise adjustment of light-emitting angles



The central axis rotating structure of ordinary adjustable spotlights makes it difficult to accurately adjust the angle and requiring multiple adjustments.



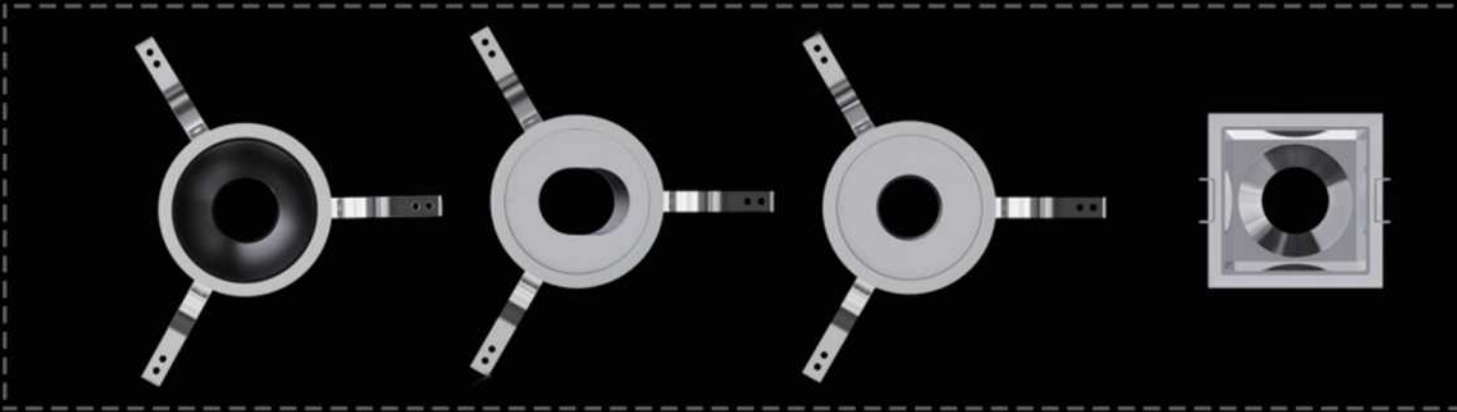
A ruler and corresponding point inside to accurately determine lightemitting angles.





MORE ACCURATE ALIGNMENT

Chopin can accurately adjust the corresponding angle according to diversified objects to represent the best lighting effect.



Cover panel

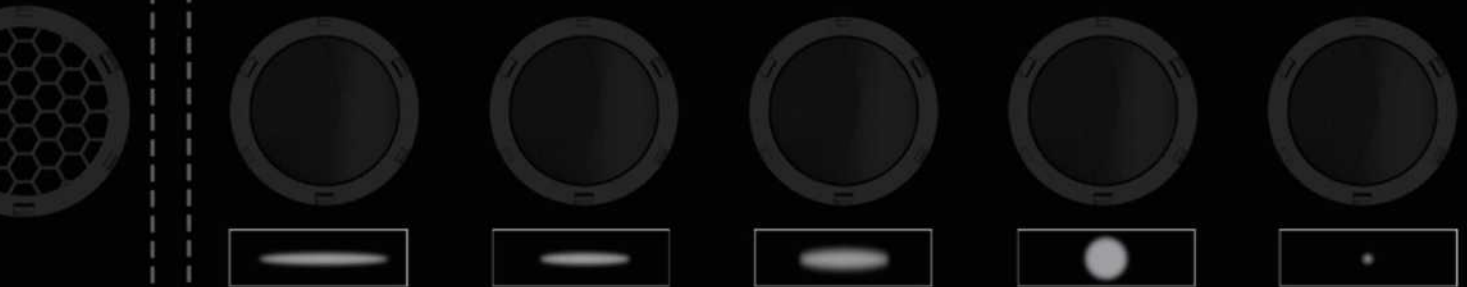
Gear





Accessories

Lens with various light shapes



A variety of beam angles of **8°**、**18°**、**28°**、**38°**、**50°** are available to meet various space lighting needs.



8°



18°



28°



38°



50°

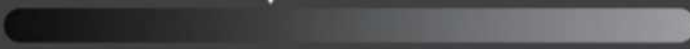
Chopin can co

2700K



6300K

10%



100%

INTELLIGENT CONTROL

Control color temperature and brightness through the app.





CHOPIN



	P	Flux	CCT	Beam	Color	mA
CHO-R15	Max15W	900lm	2700K	8°/18°/28°/38°/50°	WB	200-350mA
	Max15W	950lm	3000K	8°/18°/28°/38°/50°	WB	200-350mA
	Max15W	1000lm	4000K	8°/18°/28°/38°/50°	WB	200-350mA

LED | UGR<10 | IP20 IP65 | RA>90 R9>50 | Rf>90 Rg>90 | 110-130V 220-240V | L80B20 >50.000h

MacAdam Step 3 | DIMMABLE | 8°/18°/28°/38°/50° | Adjustable

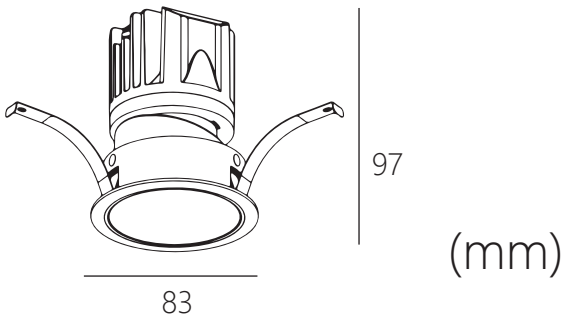


	P	Flux	CCT	Beam	Color	mA
CHO-R15T	Max15W	900lm	2700K	8°/18°/28°/38°/50°	WB	200-350mA
	Max15W	950lm	3000K	8°/18°/28°/38°/50°	WB	200-350mA
	Max15W	1000lm	4000K	8°/18°/28°/38°/50°	WB	200-350mA

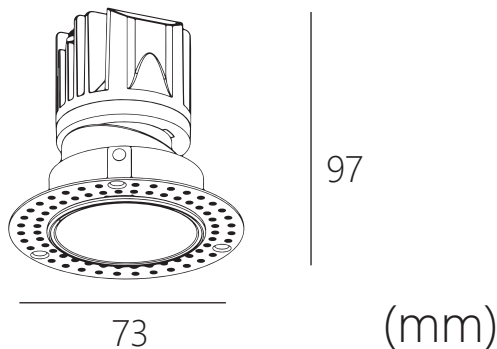
LED | UGR<10 | IP20 IP65 | RA>90 R9>50 | Rf>90 Rg>90 | 110-130V 220-240V | L80B20 >50.000h

MacAdam Step 3 | DIMMABLE | 8°/18°/28°/38°/50° | Adjustable

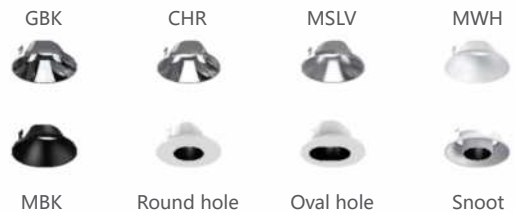
CHO-R15



CHO-R15T



Optical Accessories



OPTIONS

- 1 No DIM
- 2 DIM DALI
- 3 Bluetooth
- 4 0-10V
- 5 TRIAC
- 6 ZIGBEE





	P	Flux	CCT	Beam	Color	mA
CHO-S115	Max15W	900lm	2700K	8°/18°/28°/38°/50°	WB	200-350mA
	Max15W	950lm	3000K	8°/18°/28°/38°/50°	WB	200-350mA
	Max15W	1000lm	4000K	8°/18°/28°/38°/50°	WB	200-350mA

LED | UGR<10 | IP20 IP65 | RA>90 R9>50 | Rf>90 Rg>90 | 110-130V 220-240V | L80B20 >50.000h |
 MacAdam Step 3 | DIMMABLE | 8°/18°/28°/38°/50° | Adjustable



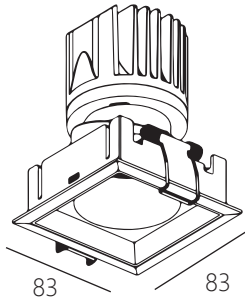
	P	Flux	CCT	Beam	Color	mA
CHO-S115T	Max15W	900lm	2700K	8°/18°/28°/38°/50°	WB	200-350mA
	Max15W	950lm	3000K	8°/18°/28°/38°/50°	WB	200-350mA
	Max15W	1000lm	4000K	8°/18°/28°/38°/50°	WB	200-350mA

LED | UGR<10 | IP20 IP65 | RA>90 R9>50 | Rf>90 Rg>90 | 110-130V 220-240V | L80B20 >50.000h |
 MacAdam Step 3 | DIMMABLE | 8°/18°/28°/38°/50° | Adjustable

Optical Accessories

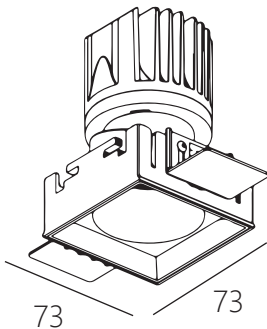


CHO-S115



105
(mm)

CHO-S115T



105
(mm)

OPTIONS

- 1 No DIM
- 2 DIM DALI
- 3 Bluetooth
- 4 0-10V
- 5 TRIAC
- 6 ZIGBEE







	P	Flux	CCT	Beam	Color	mA
CHO-S215	2*Max15W	2*Max900lm	2700K	8°/18°/28°/38°/50°	WB	200-350mA
	2*Max15W	2*Max950lm	3000K	8°/18°/28°/38°/50°	WB	200-350mA
	2*Max15W	2*Max1000lm	4000K	8°/18°/28°/38°/50°	WB	200-350mA

LED | UGR<10 | IP20
IP65 | RA>90 R9>50 | Rf>90 Rg>90 | 110-130V 220-240V | L80B20 >50.000h | MacAdam Step 3 | DIMMABLE | 8°/18°/28°/38°/50° | Adjustable

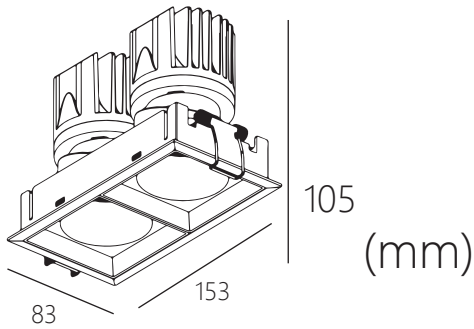


	P	Flux	CCT	Beam	Color	mA
CHO-S215T	2*Max15W	2*Max900lm	2700K	8°/18°/28°/38°/50°	WB	200-350mA
	2*Max15W	2*Max950lm	3000K	8°/18°/28°/38°/50°	WB	200-350mA
	2*Max15W	2*Max1000lm	4000K	8°/18°/28°/38°/50°	WB	200-350mA

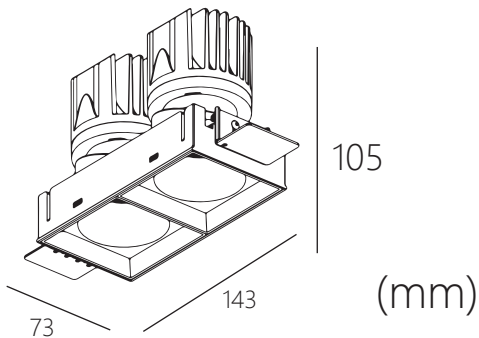
LED | UGR<10 | IP20
IP65 | RA>90 R9>50 | Rf>90 Rg>90 | 110-130V 220-240V | L80B20 >50.000h | MacAdam Step 3 | DIMMABLE | 8°/18°/28°/38°/50° | Adjustable

Optical Accessories

CHO-S215



CHO-S215T



OPTIONS

- 1 No DIM
- 2 DIM DALI
- 3 Bluetooth
- 4 0-10V
- 5 TRIAC
- 6 ZIGBEE





	P	Flux	CCT	Beam	Color	mA
CHO-S315	3*Max15W	3*Max900lm	2700K	8°/18°/28°/38°/50°	WB	200-350mA
	3*Max15W	3*Max950lm	3000K	8°/18°/28°/38°/50°	WB	200-350mA
	3*Max15W	3*Max1000lm	4000K	8°/18°/28°/38°/50°	WB	200-350mA

LED | UGR < 10 | IP20 IP65 | RA > 90 R9 > 50 | Rf > 90 Rg > 90 | 110-130V 220-240V | L80B20 > 50.000h |
 MacAdam Step 3 |
 DIMMABLE |
 8°/18°/28°/38°/50° |
 Adjustable



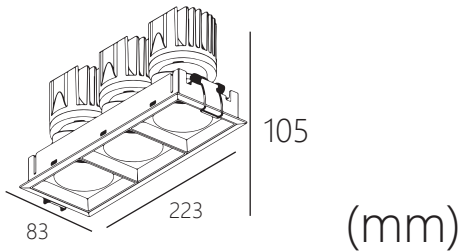
	P	Flux	CCT	Beam	Color	mA
CHO-S315T	3*Max15W	3*Max900lm	2700K	8°/18°/28°/38°/50°	WB	200-350mA
	3*Max15W	3*Max950lm	3000K	8°/18°/28°/38°/50°	WB	200-350mA
	3*Max15W	3*Max1000lm	4000K	8°/18°/28°/38°/50°	WB	200-350mA

LED | UGR < 10 | IP20 IP65 | RA > 90 R9 > 50 | Rf > 90 Rg > 90 | 110-130V 220-240V | L80B20 > 50.000h |
 MacAdam Step 3 |
 DIMMABLE |
 8°/18°/28°/38°/50° |
 Adjustable

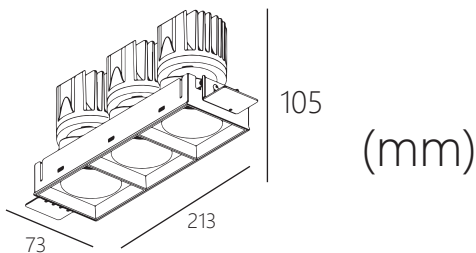
Optical Accessories



CHO-S315



CHO-S315T



OPTIONS

- 1 No DIM
- 2 DIM DALI
- 3 Bluetooth
- 4 0-10V
- 5 TRIAC
- 6 ZIGBEE







	P	Flux	CCT	Beam	Color	mA
CHO-S415	4*Max15W	4*Max900lm	2700K	8°/18°/28°/38°/50°	WB	200-350mA
	4*Max15W	4*Max950lm	3000K	8°/18°/28°/38°/50°	WB	200-350mA
	4*Max15W	4*Max1000lm	4000K	8°/18°/28°/38°/50°	WB	200-350mA

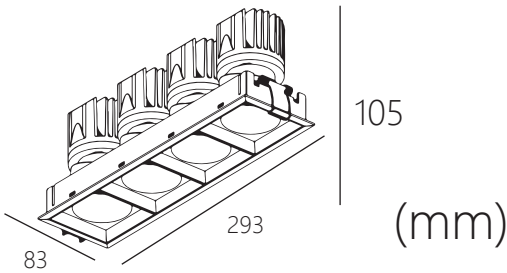
LED | UGR < 10 | IP20 IP65 | RA > 90 R9 > 50 | Rf > 90 Rg > 90 | 110-130V 220-240V | L80B20 > 50.000h |
 MacAdam Step 3 | DIMMABLE | 8°/18°/28°/38°/50° | Adjustable



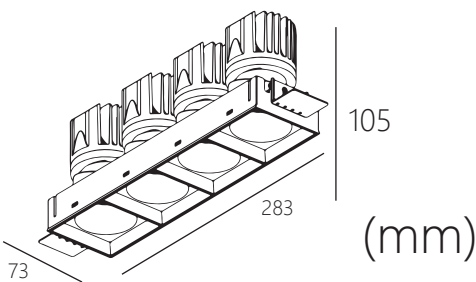
	P	Flux	CCT	Beam	Color	mA
CHO-S415T	4*Max15W	4*Max900lm	2700K	8°/18°/28°/38°/50°	WB	200-350mA
	4*Max15W	4*Max950lm	3000K	8°/18°/28°/38°/50°	WB	200-350mA
	4*Max15W	4*Max1000lm	4000K	8°/18°/28°/38°/50°	WB	200-350mA

LED | UGR < 10 | IP20 IP65 | RA > 90 R9 > 50 | Rf > 90 Rg > 90 | 110-130V 220-240V | L80B20 > 50.000h |
 MacAdam Step 3 | DIMMABLE | 8°/18°/28°/38°/50° | Adjustable

CHO-S415



CHO-S415T



Optical Accessories



OPTIONS

- 1 No DIM
- 2 DIM DALI
- 3 Bluetooth
- 4 0-10V
- 5 TRIAC
- 6 ZIGBEE

